



CONFIDENTIAL

Multi Air Conditioner

SVC MANUAL(Exploded View)

**MODEL : AMNW07GTRB0(LMCN078HV)
AMNW09GTRB0(LCN098HV4)
AMNW12GTRB0(LCN128HV4)
AMNW18GTQB0(LCN188HV4)**

CAUTION

Before Servicing the unit, read the safety precautions in General SVC manual.
Only for authorized service personnel.

Any reproduction, duplication, distribution (including by way of email, facsimile or other electronic means), publication, modification, copying or transmission of this Service Manual is STRICTLY PROHIBITED unless you have obtained the prior written consent of the LG Electronics entity from which you received this Service Manual. The material covered by this prohibition includes, without limitation, any text, graphics or logos in this Service Manual.

Copyright © 2018 - 2019 LG Electronics Inc. All rights reserved. Only training and service purposes.

1. Specification

Indoor unit type			Ceiling Cassette - 4way	
Model			AMNW07GTRB0(LMCN078HV)	AMNW09GTRB0(LCN098HV4)
Decoration Panel Name			PT-QCHW0	PT-QCHW0
Power Supply		V, Ø, Hz	208/230, 1, 60	208/230, 1, 60
Capacity(*)		Btu/h class	7,000	9,000
Current	Running Current	A	0.25	0.25
Fan	Motor Type		BLDC	BLDC
	Fan Type		Turbo Fan	Turbo Fan
	Motor Output(W) x No. of Unit		43 x 1	43 x 1
	Air Flow Rate (H / M / L)	CMM	7.5 / 6.0 / 5.0	8.5 / 7.0 / 6.0
		CFM	265 / 212 / 177	300 / 265 / 230
	External Static Pressure	mmAq	-	-
	Capacitor	µF / Vac	-	-
Drive		Direct Drive	Direct Drive	
Coil	Row x Column x FPI		1R x 8C x 18	2R x 8C x 18
Dimensions (W x H x D)	Body	mm(inch)	570 x 214 x 570 (22-7/16 x 8-7/16 x 22-7/16)	570 x 214 x 570 (22-7/16 x 8-7/16 x 22-7/16)
	Decorative Panel	mm(inch)	700 x 22 x 700 (27-9/16 x 7/8 x 27-9/16)	700 x 22 x 700 (27-9/16 x 7/8 x 27-9/16)
Net Weight	Body	kg (lbs)	14.0 (30.9)	14.0 (30.9)
	Decorative Panel	kg (lbs)	3.0 (6.6)	3.0 (6.6)
Sound Level (H / M / L)		dB(A)+3	31 / 27 / 24	36 / 33 / 30
Piping	Liquid	mm (inch)	6.35 (1/4)	6.35 (1/4)
Connections	Gas	mm (inch)	9.52 (3/8)	9.52 (3/5)
	Drain(OD/ID)	mm(inch)	32.0(1-1/4) / 25.0(1)	32.0(1-1/4) / 25.0(1)
Safety Devices			Fuse, thermal protector for fan motor	Fuse, thermal protector for fan motor
Refrigerant			R410A	R410A
Refrigerant Control			EEV(in Outdoor unit)	EEV(in Outdoor unit)
Transmission Interunit Cable		No. x AWG	4C x 18	4C x 18

Note:

- Capacities are based on the following conditions:
 - Cooling: - Indoor Temperature 26.7°C(80°F) DB/19.4°C(67°F)
 - Outdoor Temperature 35°C(95°F) DB/23.9°C(75°F)
 - Heating: - Indoor Temperature 21.1°C(70°F) DB/15.6°C(60°F) WB
 - Outdoor Temperature 8.3°C(47°F) DB/6.1°C(43°F) WB
 - Piping Length - Interconnecting Piping Length 7.5m(24.6 ft.)
 - Level Difference of Zero
- Wiring cable size must comply with the applicable local and national code.
- The specification may be subject to change without prior notice for purpose of improvement.
- For more Capacity(*), refer to the combination table

Conversion Formula
kW = Btu/h class X 0.0002931
cfm = CMM x 35.3

Indoor unit type			Ceiling Cassette - 4way	
Model			AMNW12GTRB0[LCN128HV4]	AMNW18GTQBO(LCN188HV4)
Decoration Panel Name			PT-QCHW0	PT-QCHW0
Power Supply		V, Ø, Hz	208/230, 1, 60	208/230, 1, 60
Capacity(*)		Btu/h class	12,000	18,000
Current	Running Current	A	0.25	0.25
Fan	Motor Type		BLDC	BLDC
	Fan Type		Turbo Fan	Turbo Fan
	Motor Output(W) x No. of Unit		43 x 1	43 x 1
	Air Flow Rate	CMM	9.5 / 8.0 / 7.0	13.0 / 12.0 / 11.0
	(H / M / L)	CFM	335 / 283 / 247	459 / 424 / 388
	External Static Pressure	mmAq	-	-
	Capacitor	µF / Vac	-	-
	Drive		Direct Drive	Direct Drive
Coil	Row x Column x FPI		2R x 8C x 18	2R x 10C x 18
Dimensions (W x H x D)	Body	mm(inch)	570 x 214 x 570 (22-7/16 x 8-7/16 x 22-7/16)	570 x 256 x 570 (22-7/16 x 10-3/32 x 22-7/16)
	Decorative Panel	mm(inch)	700 x 22 x 700 (27-9/16 x 7/8 x 27-9/16)	700 x 22 x 700 (27-9/16 x 7/8 x 27-9/16)
Net Weight	Body	kg (lbs)	14.0 (30.9)	14.5 (32)
	Decorative Panel	kg (lbs)	3.0 (6.6)	3.0 (6.6)
Sound Level (H / M / L)		dB(A)+3	38/ 35/ 32	43 / 41 / 38
Piping Connections	Liquid	mm (inch)	6.35 (1/4)	6.35 (1/4)
	Gas	mm (inch)	9.52 (3/8)	12.7 (1/2)
	Drain(OD/ID)	mm(inch)	32.0(1-1/4) / 25.0(1)	32.0(1-1/4) / 25.0(1)
Safety Devices			Fuse, thermal protector for fan motor	Fuse, thermal protector for fan motor
Refrigerant			R410A	R410A
Refrigerant Control			EEV(in Outdoor unit)	EEV(in Outdoor unit)
Transmission Interunit Cable		No. x AWG	4C x 18	4C x 18

Note:

1. Capacities are based on the following conditions:

- Cooling: - Indoor Temperature 26.7°C(80°F) DB/19.4°C(67°F)
- Outdoor Temperature 35°C(95°F) DB/23.9°C(75°F)
- Heating: - Indoor Temperature 21.1°C(70°F) DB/15.6°C(60°F) WB
- Outdoor Temperature 8.3°C(47°F) DB/6.1°C(43°F) WB
- Piping Length - Interconnecting Piping Length 7.5m(24.6 ft.)
- Level Difference of Zero

2. Wiring cable size must comply with the applicable local and national code.

3. The specification may be subject to change without prior notice for purpose of improvement.

4. For more Capacity(*), refer to the combination table

Conversion Formula
kW = Btu/h class X 0.0002931
cfm = CMM x 35.3

2. Function Table

Category	Function	AMNW07GTRB0(LMCN078HV) AMNW09GTRB0(LCN098HV4) AMNW12GTRB0(LCN128HV4)	AMNW18GTQB0(LCN188HV4)
Air flow	Air supply outlet	4	4
	Airflow direction control(left & right)	X	X
	Airflow direction control(up & down)	Auto	Auto
	Auto swing(left & right)	X	X
	Auto swing(up & down)	O	O
	Airflow steps(fan / cool / heat)	4/5/4	4/5/4
	Chaos swing	X	X
	Chaos wind(auto wind)	O	O
	Jet cool(Power wind)	O	O
Air Purifier	Swirl wind	O	O
	Deodorizing filter	X	X
	Plasma air purifier	Option	Option
Installation	Pre-filter(washable / anti-fungus)	O	O
	Drain pump	O	O
	E.S.P. control	-	-
	Electric heater(operation)	X	X
Reliability	High ceiling operation	O	O
	Hot start	O	O
	Self diagnosis	O	O
Convenience	Soft dry operation	O	O
	Auto changeover	X	X
	Auto cleaning	X	X
	Auto operation(artificial intelligence)	O	O
	Auto restart operation	O	O
	Child lock	O	O
	Energy-Saving Cooling Mode	X	X
	Forced operation	O	O
	Group control	O	O
	Sleep mode	O	O
Individual Control	Timer(on/off)	O	O
	Timer(weekly)	O	O
	Two thermistor control	O	O
	Wide wired remote controller	Accessory (PQRCUSA0)	Accessory (PQRCUSA0)
	Deluxe wired remote controller	-	-
	Simple wired remote controller	X	X
	Simple wired remote controller(for hotel use)	Accessory (PQRCFCS0C)	Accessory (PQRCFCS0C)
CAC Network Function	Wireless remote controller(simple)	X	X
	Wireless LCD remote control	X	X
	Wireless LCD remote control(Ez)	O	O
	General central controller (Non LGAP)	X	X
Special Function Kit	Dry contact	Accessory (PQDSB)	Accessory (PQDSB)
	Central control(LGAP)	X	X
	PDI(power distribution indicator)	X	X
	PI 485	X	X
Others	CTIE	X	X
	Zone control	-	-
	Thermistor	-	-

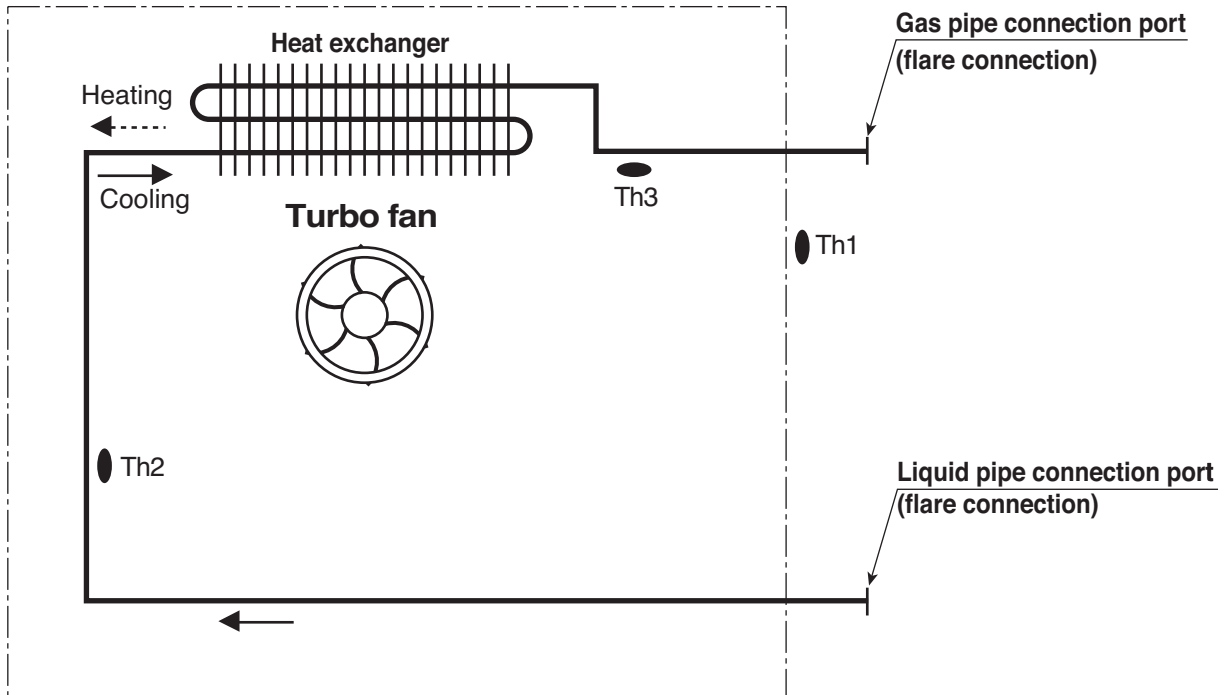
Note:

O : Applied, X : Not applied, - : No relation

* Option : Model name & price are different according to options, and assembled in factory with main unit.

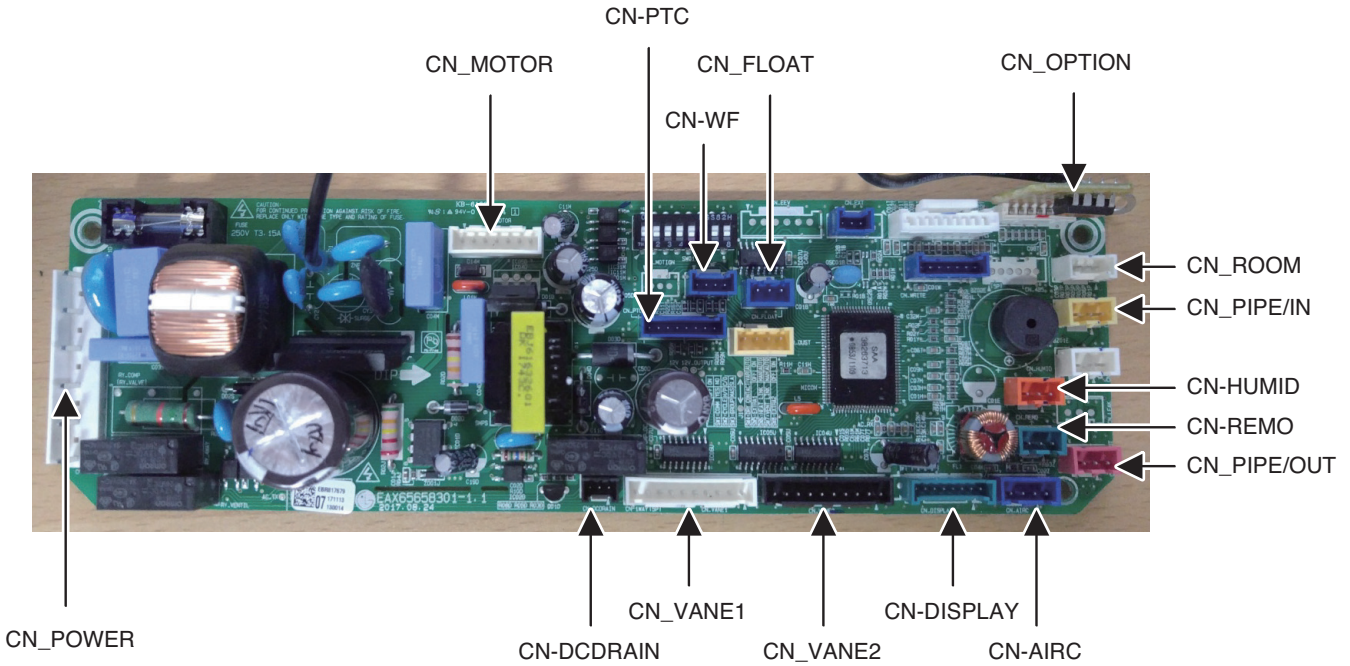
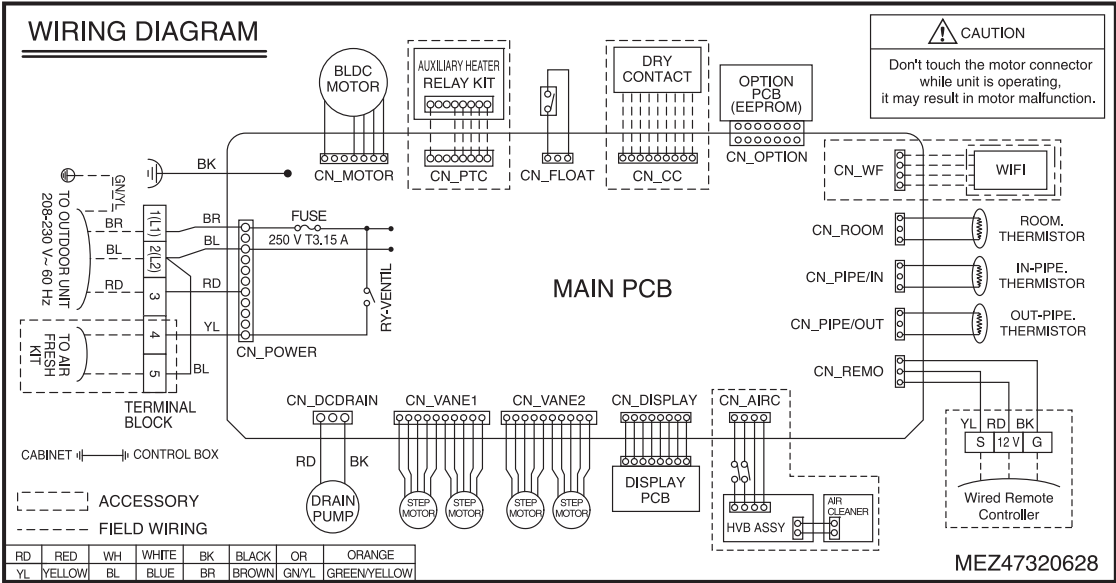
* Accessory : Installed at field, ordered and purchased separately by the corresponding model name, supplied with separate package.

3. Piping Diagrams



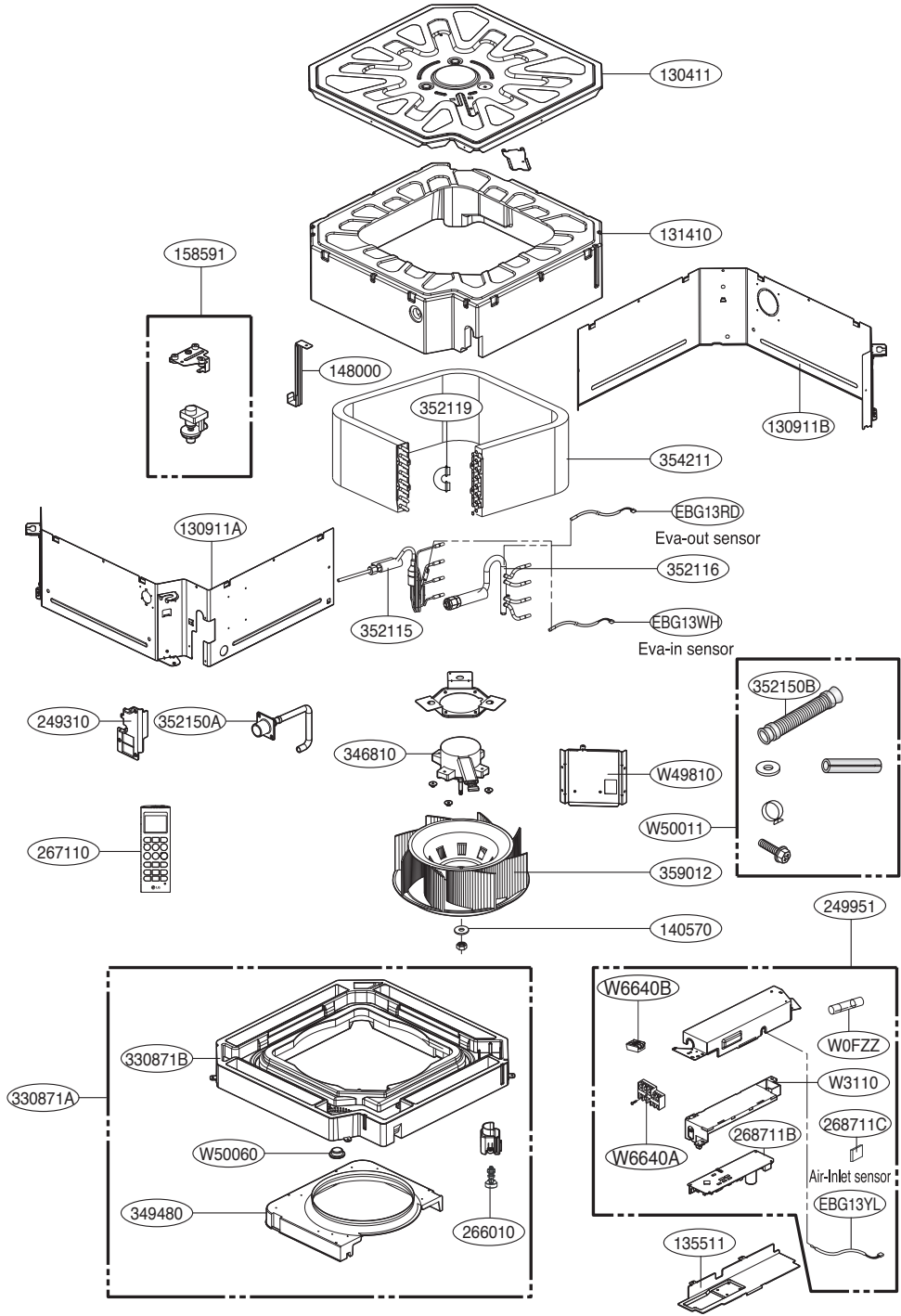
LOC.	Description	PCB Connector
Th1	Thermistor for suction air temperature	CN_ROOM
Th2	Thermistor for evaporator inlet temperature	CN_PIPE/IN
Th3	Thermistor for evaporator outlet temperature	CN_PIPE/OUT

4. Wiring Diagrams



5. Exploded View

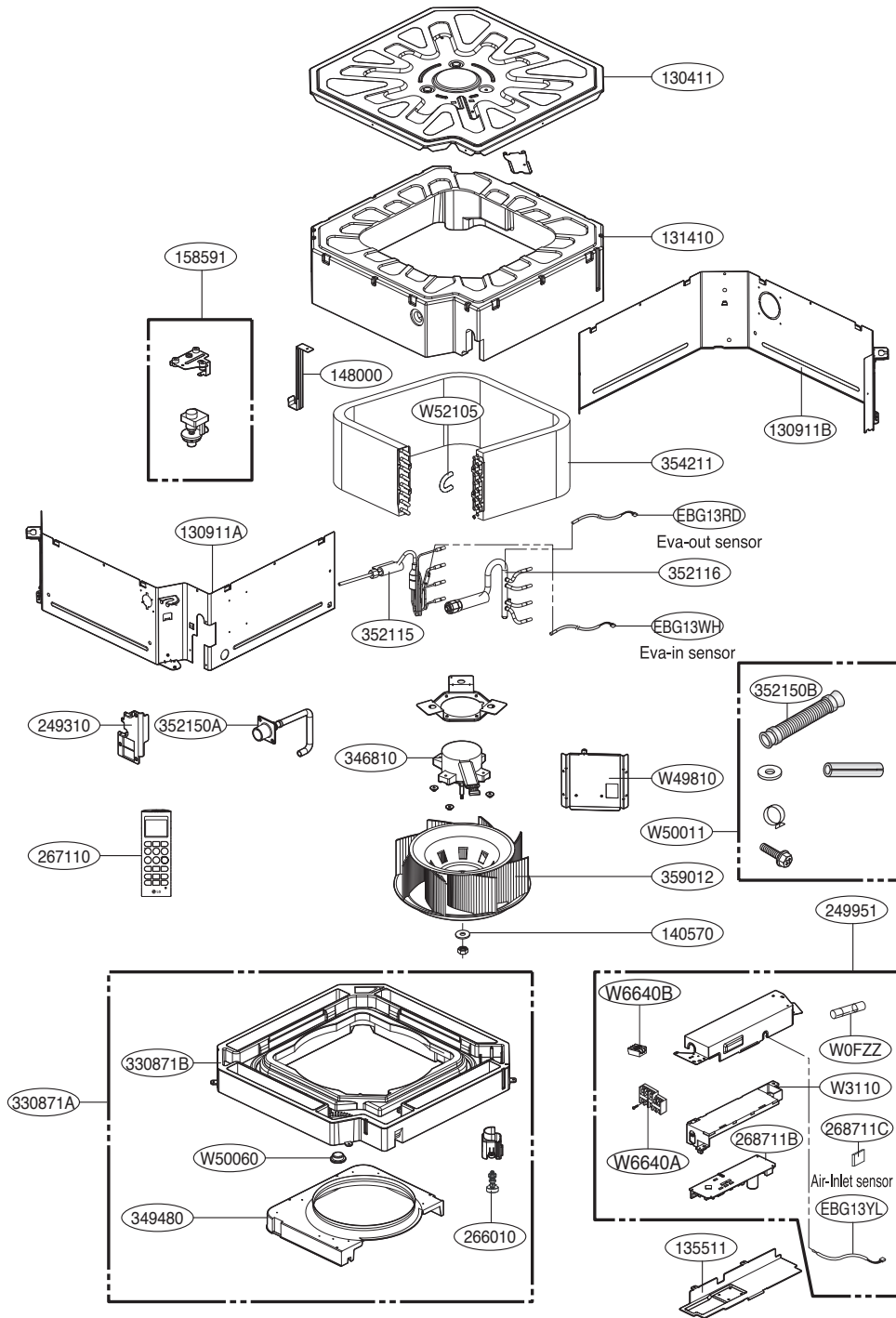
• TR Chassis : AMNW07GTRB0



Location No.	Description	Sensor Information	Housing Color
EBG13YL	Thermistor1(CN_ROOM)	Air-Inlet	Yellow
EBG13WH	Thermistor2(CN_PIPE/IN)	Eva-in	White
EBG13RD	Thermistor3(CN_PIPE/OUT)	Eva-out	Red

Note) * Please ensure GCSC since the replacement parts may be changed depending upon the buyer's request. Please check the correct parts in View RPL(Replacement Part List) on GCSC. (GCSC Website <http://biz.Lgservice.com>.)

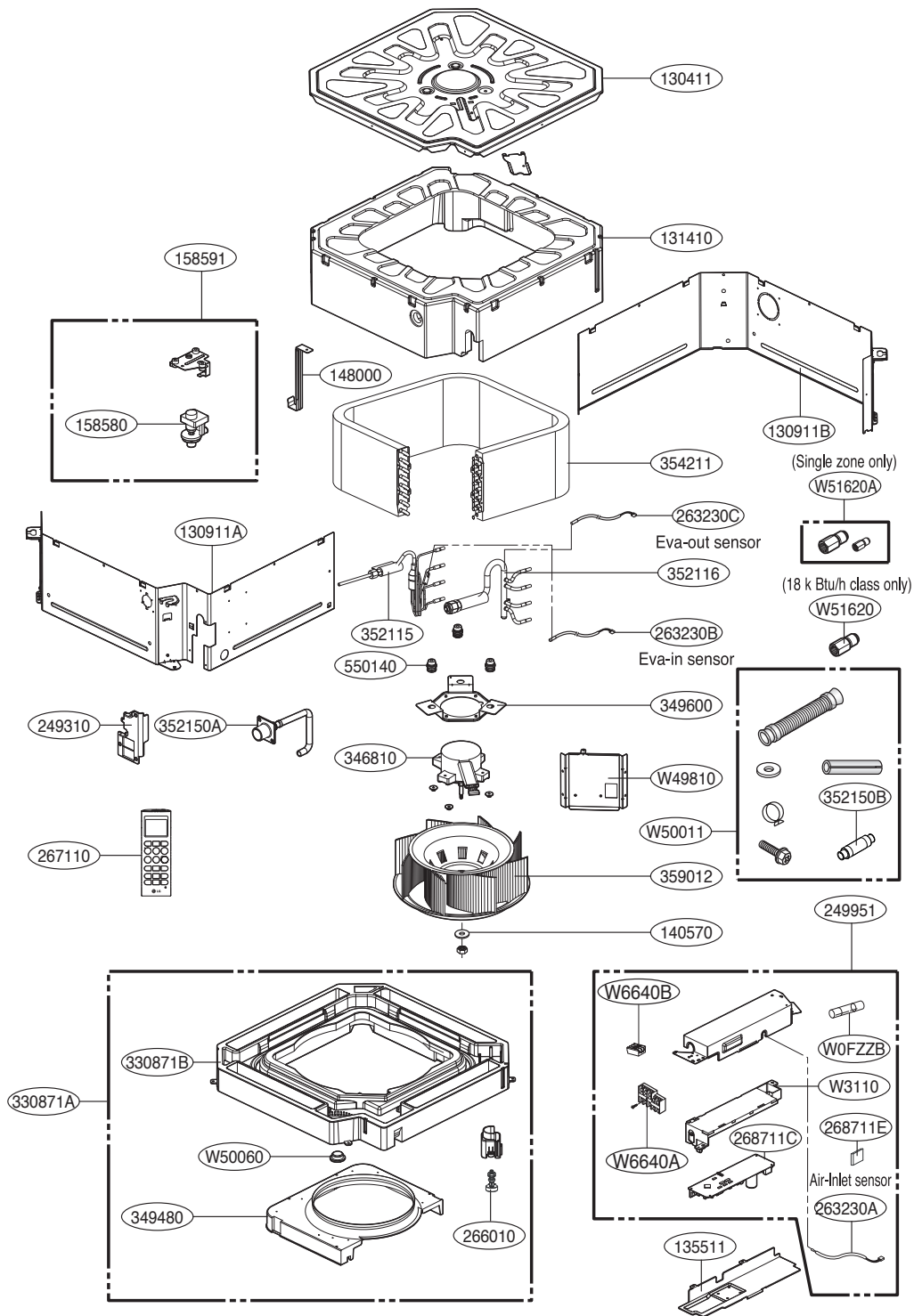
• TR Chassis : AMNW09GTRB0 / AMNW12GTRB0



Location No.	Description	Sensor Information	Housing Color
EBG13YL	Thermistor1(CN_ROOM)	Air-Inlet	Yellow
EBG13WH	Thermistor2(CN_PIPE/IN)	Eva-in	White
EBG13RD	Thermistor3(CN_PIPE/OUT)	Eva-out	Red

Note) * Please ensure GCSC since the replacement parts may be changed depending upon the buyer's request.
 Please check the correct parts in View RPL(Replacement Part List) on GCSC.
 (GCSC Website <http://biz.Lgservice.com>),

• TQ Chassis

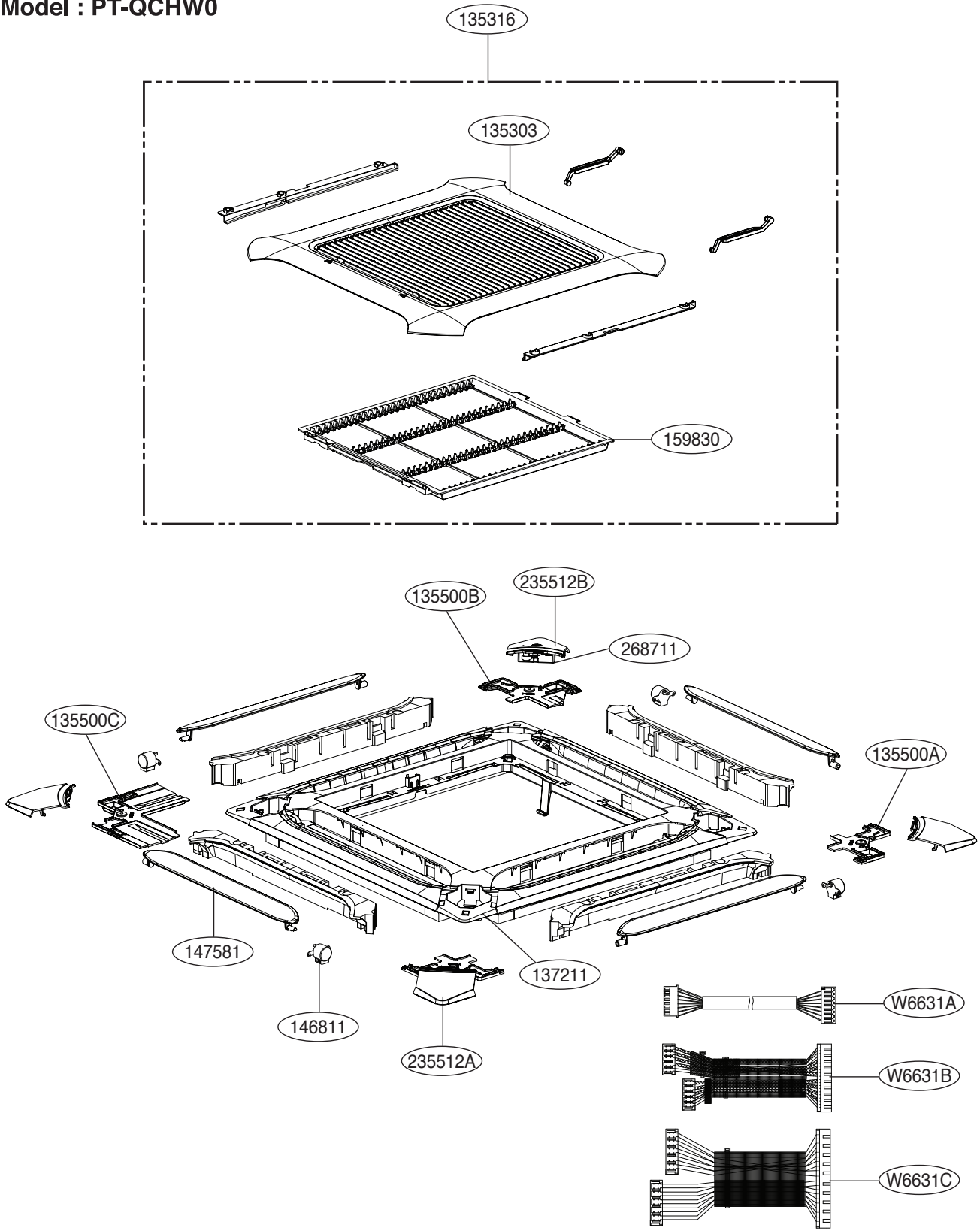


Location No.	Description	Sensor Information	Housing Color
263230A	Thermistor1(CN_ROOM)	Air-Inlet	Yellow
263230B	Thermistor2(CN_PIPE/IN)	Eva-in	White
263230C	Thermistor3(CN_PIPE/OUT)	Eva-out	Red

Note) * Please ensure GCSC since the replacement parts may be changed depending upon the buyer's request. Please check the correct parts in View RPL(Replacement Part List) on GCSC. (GCSC Website <http://biz.Lgservice.com>,)

Front Panel (Accessory)

• Model : PT-QCHW0



Note) * Please ensure GCSC since the replacement parts may be changed depending upon the buyer's request.
Please check the correct parts in View RPL(Replacement Part List) on GCSC.
(GCSC Website <http://biz.Lgservice.com>.)



P/NO : MFL68020004