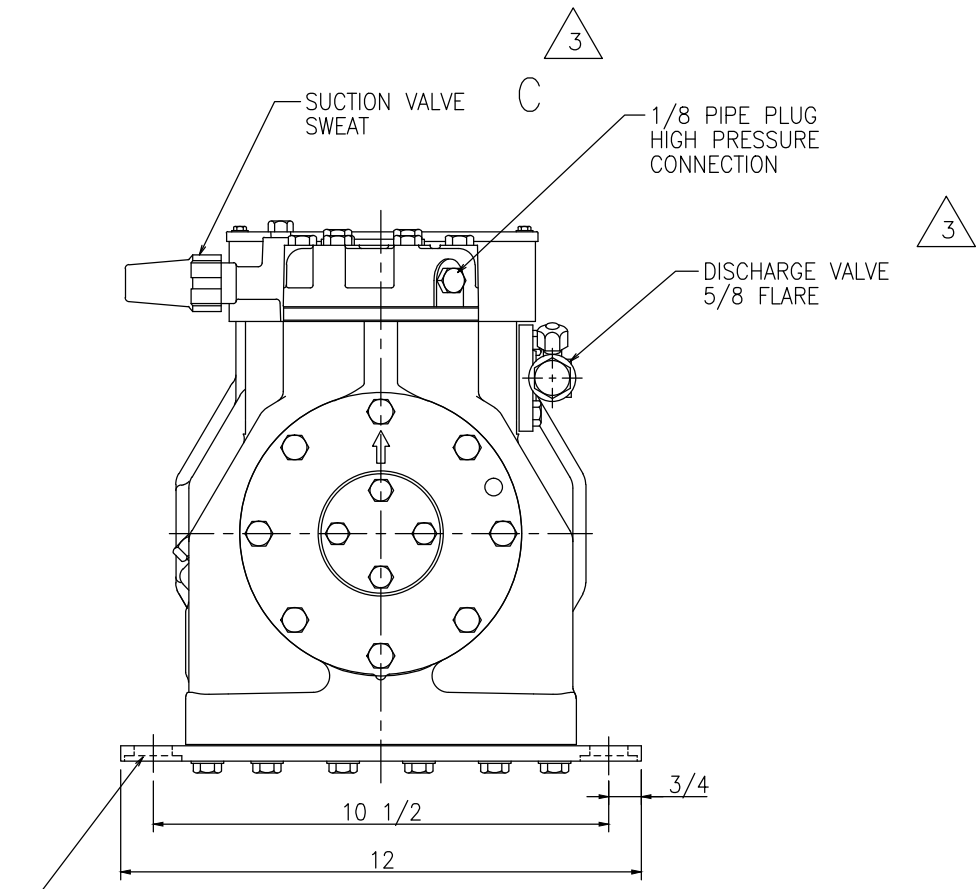
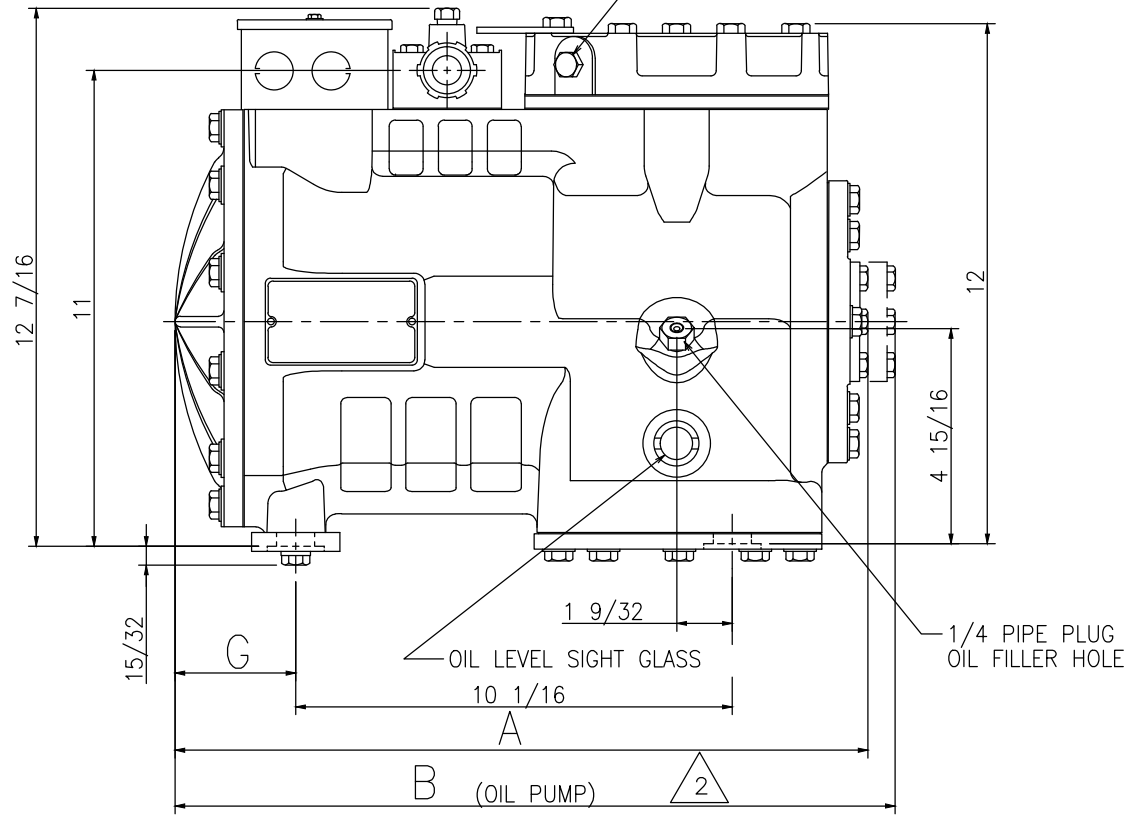
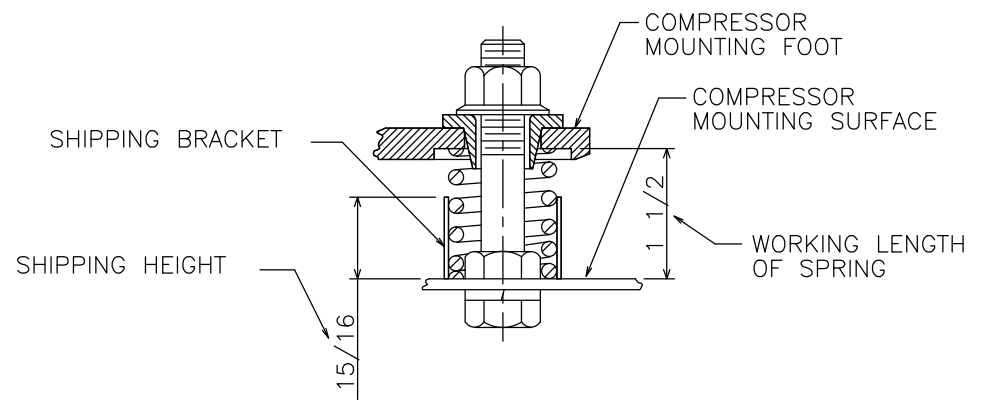
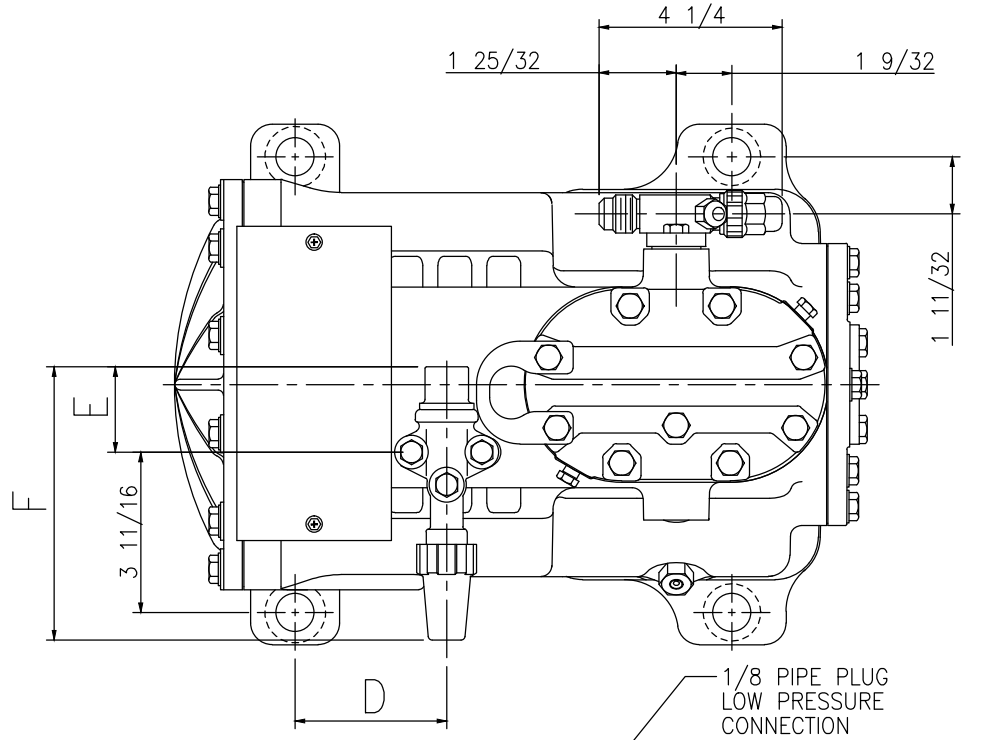


PART NUMBER	MODEL ²	A	B	C	D	E	F	G
497-0027-00	ERA*-0200 ERC*-02** ERJ*-0200	16 1/16	16 11/16	7/8	3 1/2	1 31/32	6 1/2	2 25/32
497-0027-01	ERF*-03**	17 1/16	17 11/16	1 1/8	2 1/2	2 1/16	6 5/8	3 25/32

SPECIFICATIONS	
ES NO.	DESCRIPTION

- NOTES:
- ALL TOLERANCES ARE $\pm 3/32$ EXCEPT INDUSTRY STANDARDS APPLY TO FITTINGS AND VALVES.
 - ² ALL COMPRESSORS WITH OIL PUMP ARE INDICATED BY AN ALPHABETICAL CHARACTER IN THE FOURTH DIGIT.
 - ³ VALVE DIRECTION CAN BE STEM IN OR OUT.



7/8 DIA THRU
1 15/16 DIA C-BORE 1/8 DEEP
4 MOUNTING HOLES



INTERPRET PER ASME Y14.5M-1994 AND EMERSON CLIMATE TECHNOLOGIES, INC DESIGN STANDARDS DS2002
DO NOT SCALE DRAWING
THIRD ANGLE PROJECTION
UNLESS OTHERWISE SPECIFIED DIMENSIONS ARE INCH OR (MILLIMETER)
TOLERANCES:
2-PLACE \pm
3-PLACE \pm
ANGULAR \pm

ECN005923	15	ADDED -01	07-09-12	JMM	SS	
31-0907-049	14	REDRAWN; CHG FORMAT FOR PROJECT INC	11-22-07	MMB	CHK	RST
10-0873-007	0	RELEASED	08-31-73	DC		
ENG NOTICE NO.	REV.NO.	REVISIONS	DATE	BY	CHKD	APPR
8		CONFIDENTIALITY NOTICE THIS DRAWING AND INFORMATION CONTAINED HEREIN ARE THE EXCLUSIVE PROPERTY OF EMERSON CLIMATE TECHNOLOGIES, INC. AND SHALL BE RETURNED UPON DEMAND AND SHALL NOT BE REPRODUCED IN WHOLE OR IN PART TO ANYONE ELSE OR USED, WITHOUT THE WRITTEN CONSENT OF EMERSON CLIMATE TECHNOLOGIES, INC.				
MATERIAL SPECIFICATION		DRAWN BY	SUPERSEDES DWG. NO. / REV. NO.			
N/A		MMB	497-0027-00 / 13			
		DATE	SCALE	DATE FORMAT:		
		11-22-07	3:7	MM-DD-YY		
TITLE		DRAWING NUMBER		SHEET		DWG
REF DWG-COPE COMP ASSM		497-0027-00		1 OF 1		4
						SIZE
						4