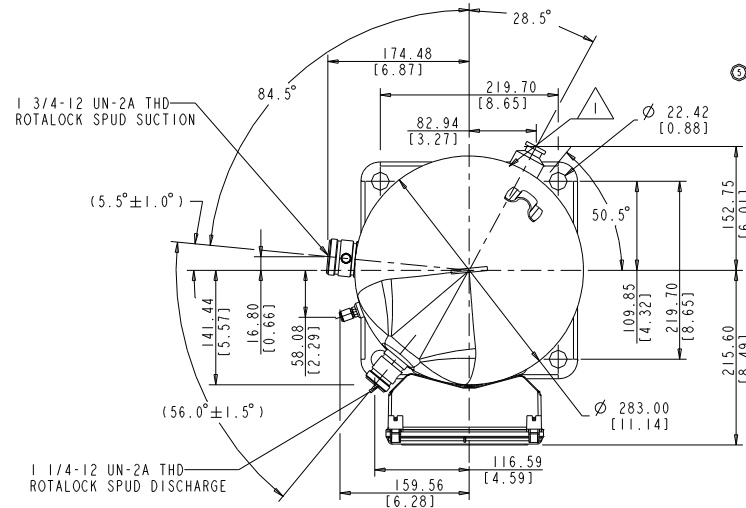


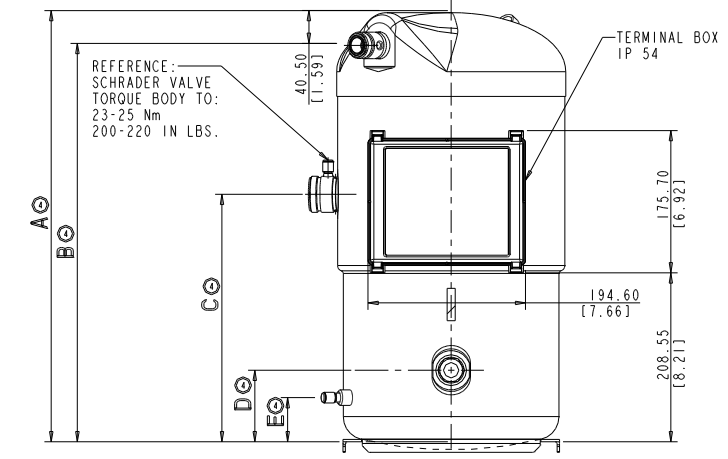
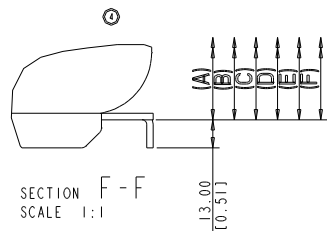
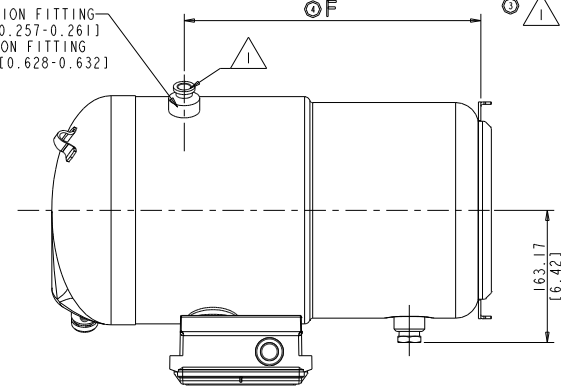
PART NO.	MODEL NO.	A	B	C	D	E	F
497-0345-00	ZF24 - ZF33	524.80	484.30	305.60	88.40	54.50	358.80
497-0345-01	ZS56 - ZS75	524.80	484.30	305.60	88.40	54.50	OMIT
497-0345-02	ZF40	532.40	491.90	305.60	88.40	54.50	366.40
497-0345-03	ZS92	532.40	491.90	305.60	88.40	54.50	OMIT
497-0345-04	ZF24/33KV	524.80	484.30	305.60	88.40	54.50	358.80
497-0345-05	ZF40KV	532.40	491.90	305.60	88.40	54.50	366.40

SPECIFICATIONS	
ES NO.	DESCRIPTION
ES22-122	PACKAGING
ES81-159	CLEANLINESS
ES81-250	IDENTIFICATION
ES92-155	CONVERSION-METRIC
ES92-167	REGULATORY COMPLIANCE

NOTES:  
 ① LIQUID/VAPOR INJECTION FOR ZF MODELS ONLY.



② LIQUID INJECTION FITTING  
 Ø 6.52-6.62 [0.257-0.261]  
 VAPOR INJECTION FITTING  
 Ø 15.95-16.05 [0.628-0.632]



ENG NOTICE NO.	REV. NO.	REVISIONS	DATE	BY	CHKD	APPR
32-1105-068	5	PICTORIAL UPDATE FOR LIQUID INJ FITTING	11-20-01	VDJ	DC	NM
32-0107-001	4	ADD SECTION + DIMENSIONS, CHANGE + REPLACE TABLES	01-03-07	JU	NM	NM
32-1106-011	3	REDRAWN AND RELEASED - 04/05	11-04-06	JYU	NM	NM
32-0101-058	0	RELEASED	01-02-91	PMW	SEM	CHK

CONFIDENTIALITY NOTICE			
THIS DRAWING AND INFORMATION CONTAINED HEREIN ARE THE EXCLUSIVE PROPERTY OF EMERSON CLIMATE TECHNOLOGIES, INC. AND SHALL BE RETURNED UPON DEMAND AND SHALL NOT BE REPRODUCED IN WHOLE OR IN PART DISCLOSED TO ANYONE ELSE OR USED, WITHOUT THE WRITTEN CONSENT OF EMERSON CLIMATE TECHNOLOGIES, INC.			
MATERIAL SPECIFICATION	DRAWN BY	SUPERSEDES ENG. NO. / REV. NO.	
N/A	JYU	497-0345-00 / 02	
	DATE	SCALE	DATE FORMAT
	11-04-06	3:8	MM-DD-YY
TITLE	DRAWING NUMBER	SHEET 1 OF 2	
REF DWG-WELD COMP ASSM	497-0345-00	4	

**EMERSON**  
Climate Technologies

**Copeland**

INTERPRET PER ASME Y14.5M-1994 AND EMERSON CLIMATE TECHNOLOGIES, INC. DESIGN STANDARD DS2002 DO NOT SCALE DRAWING

THIRD ANGLE PROJECTION

UNLESS OTHERWISE SPECIFIED DIMENSIONS ARE MILLIMETER OR (INCH) TOLERANCES:  
 1-PLACE ± N/A  
 2-PLACE ± N/A  
 ANGULAR ± N/A