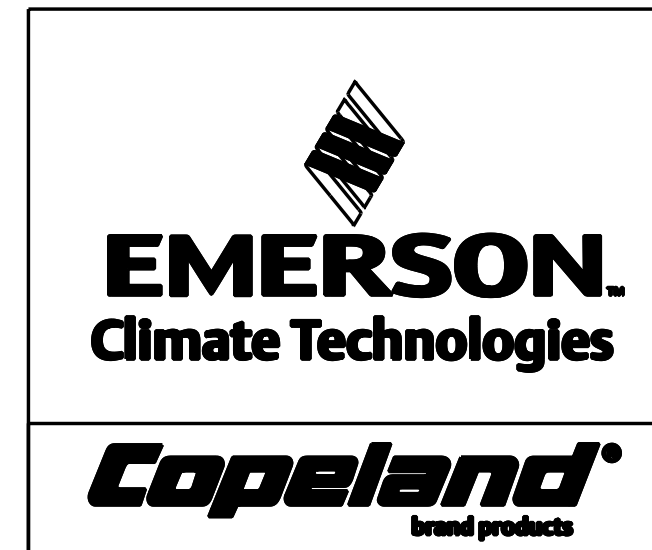
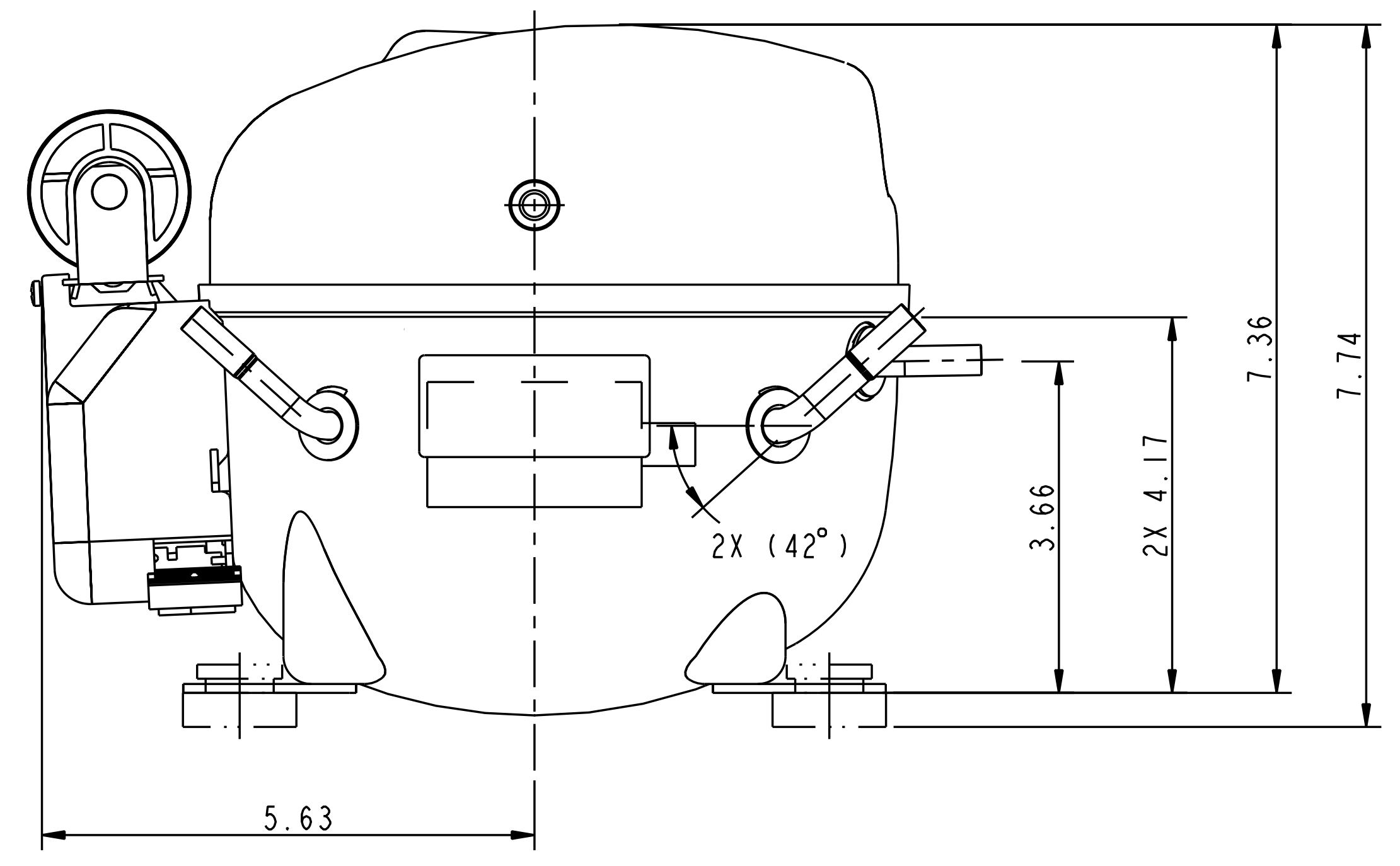
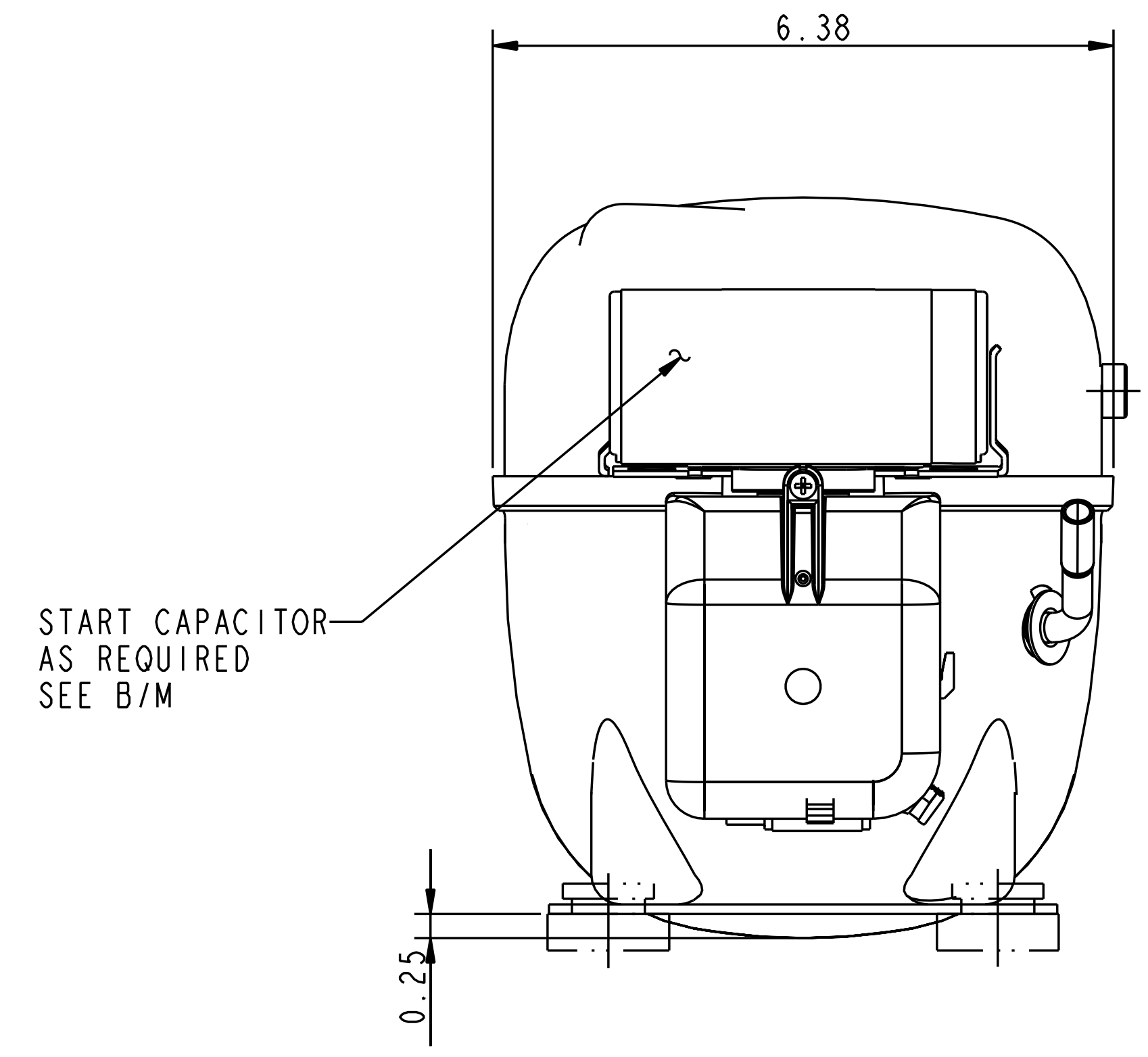
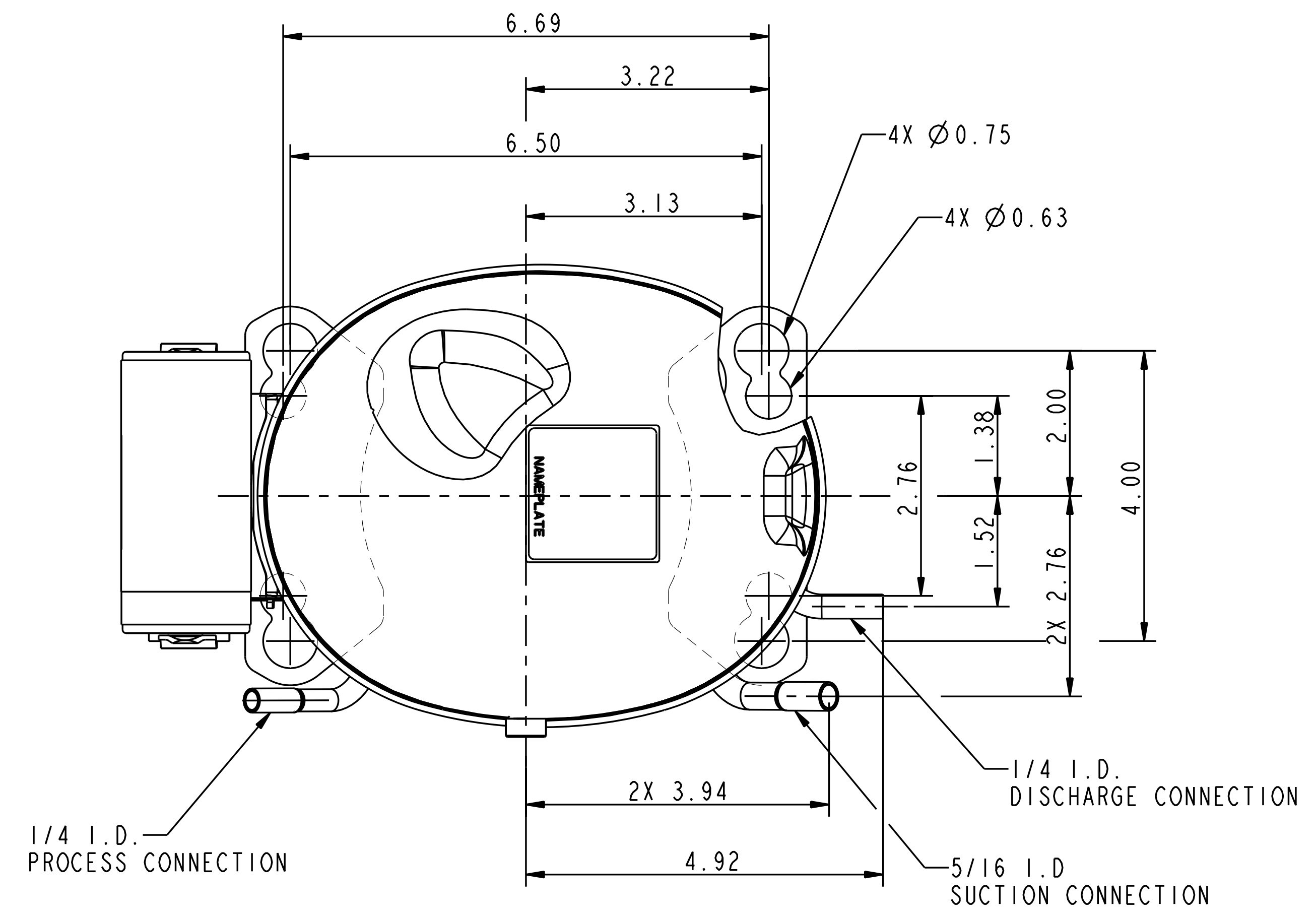


MODEL
ARE25C3E-1AA
ARE25C3E-1AZ
ARE25C3E-SAA
ARE25C3E-SAZ
ARE27C3E-1AA
ARE27C3E-1AZ
ARE27C3E-SAA
ARE37C3E-1AA
ARE37C3E-1AV
ARE37C3E-1AZ
ARE37C3E-SAA
ARE37C3E-SAZ



INTERPRET PER ASME Y14.5M-1994 AND EMERSON CLIMATE TECHNOLOGIES, INC. DESIGN STANDARDS DS2002 DO NOT SCALE DRAWING THIRD ANGLE PROJECTION

UNLESS OTHERWISE SPECIFIED DIMENSIONS ARE INCH OR (MILLIMETER) TOLERANCES:
 2-PLACE ± N/A
 3-PLACE ± N/A
 ANGULAR ± N/A

ECN006903	0	RELEASED	03-13-13	JSK	RM	
ENG NOTICE NO.	REV. NO.	REVISIONS	DATE	BY	CHKD	APPR
20		CONFIDENTIALITY NOTICE				
THIS DRAWING AND INFORMATION CONTAINED HEREIN ARE THE EXCLUSIVE PROPERTY OF EMERSON CLIMATE TECHNOLOGIES, INC. AND SHALL BE RETURNED UPON DEMAND AND SHALL NOT BE REPRODUCED IN WHOLE OR IN PART, DISCLOSED TO ANYONE ELSE OR USED, WITHOUT THE WRITTEN CONSENT OF EMERSON CLIMATE TECHNOLOGIES, INC.						
MATERIAL SPECIFICATION			DRAWN BY		SUPERSEDES DWG. NO. / REV. NO.	
N/A			JSK		/	
			DATE		SCALE	
			03-13-13		1:2	
TITLE			DRAWING NUMBER		SHEET 1 OF 1 DWG	
REF DWG - WELD COMP ASSM			497-2737-02		4	
					SIZE	

UNCONTROLLED - DO NOT MODIFY

COPYRIGHT EMERSON CLIMATE TECHNOLOGIES, INC. - CONFIDENTIAL