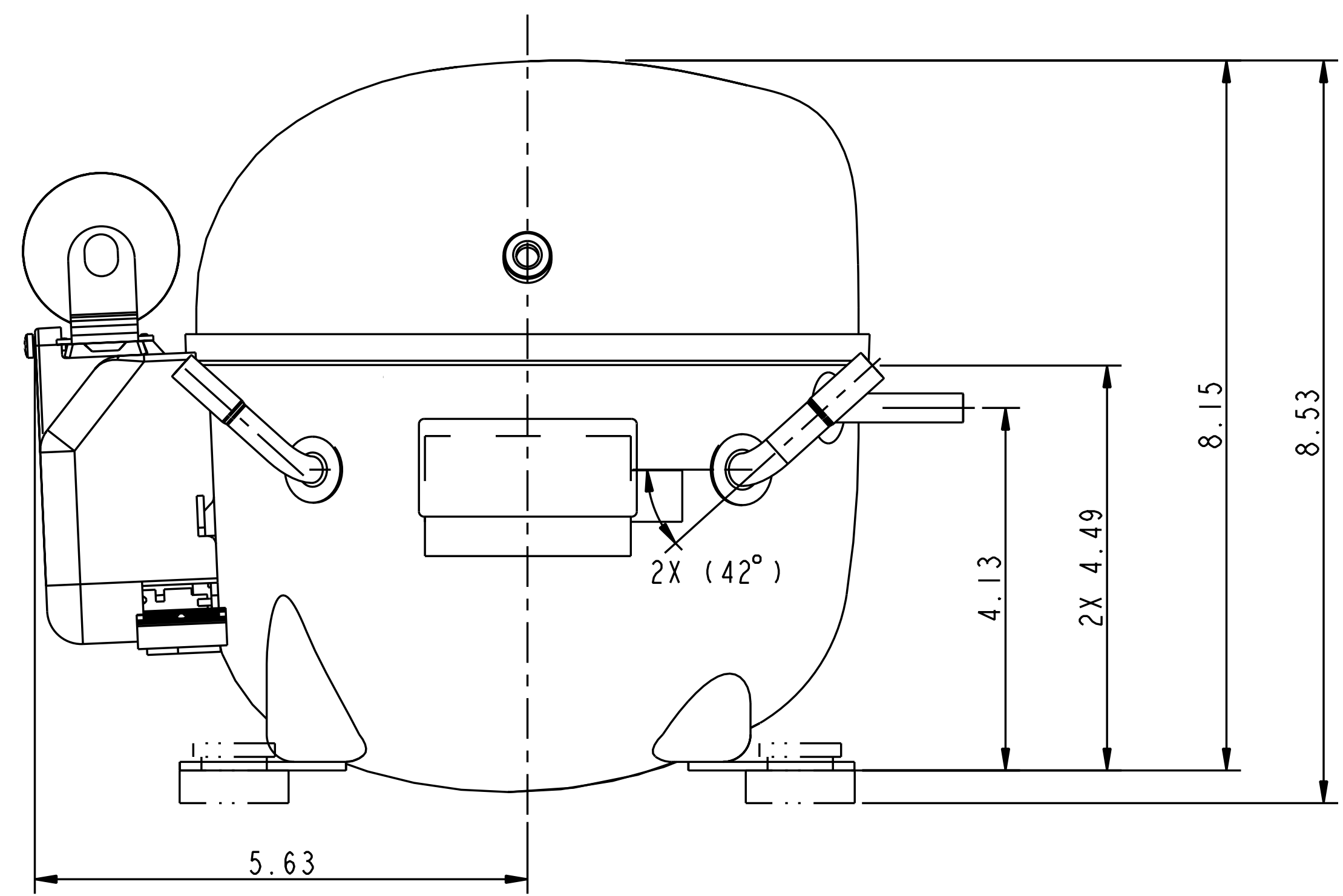
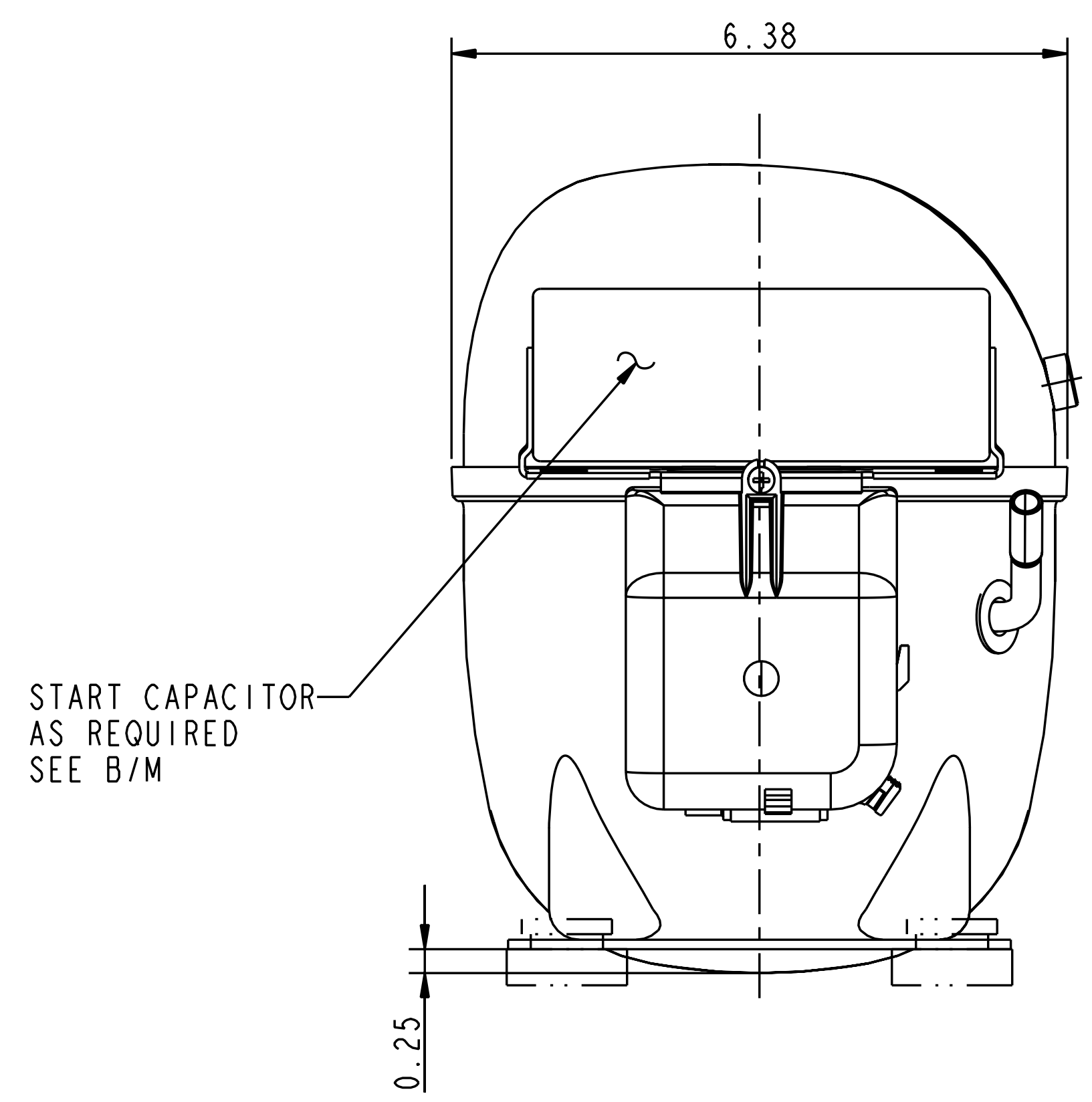
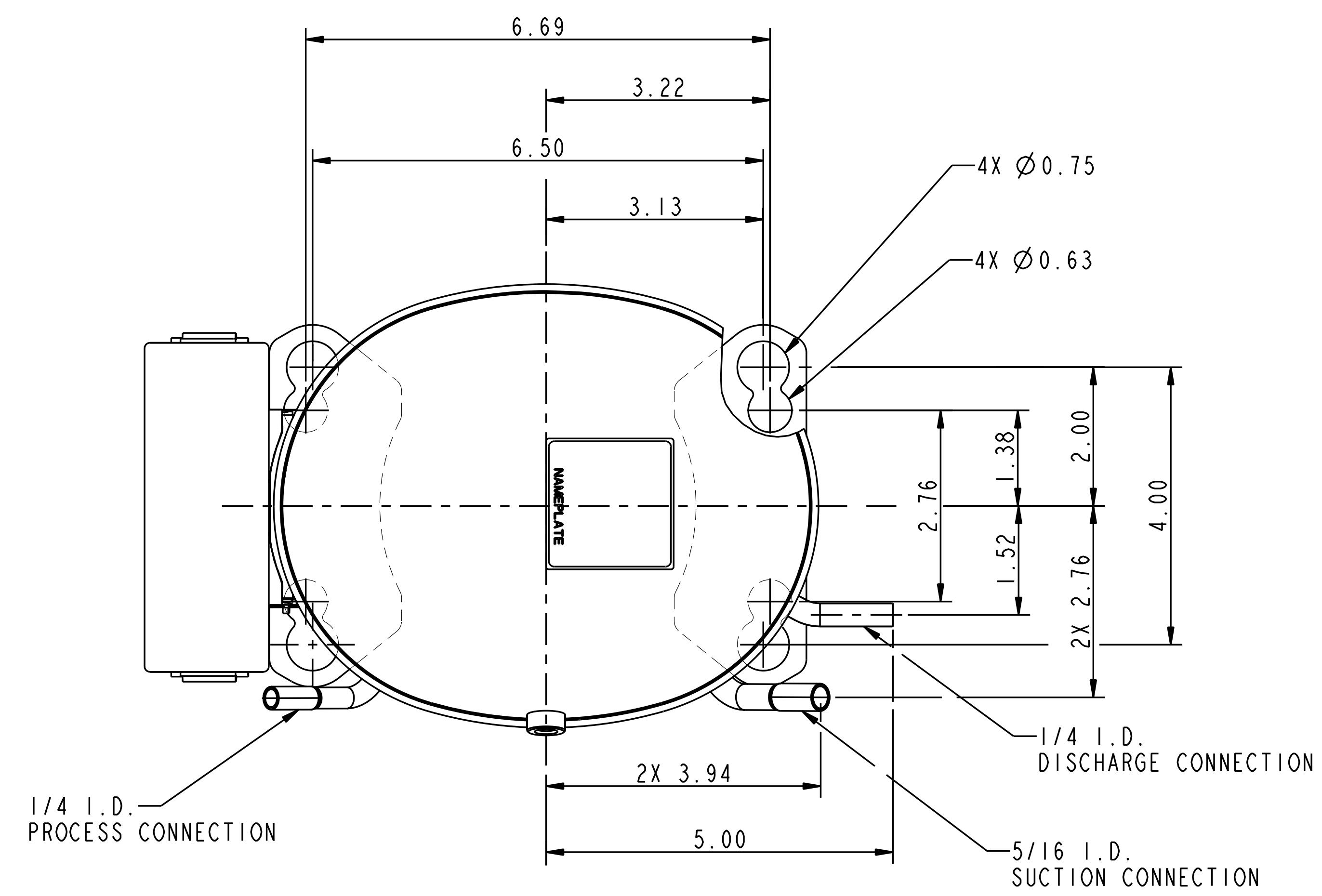


MODEL
ASE35C4-1AA
ASE35C4-CAA
ASE35C4-1AV
ARE51C4-CAA
AFE12C4-1AA



 	INTERPRET PER ASME Y14.5M-1994 AND EMERSON CLIMATE TECHNOLOGIES, INC. DESIGN STANDARDS DS2002 DO NOT SCALE DRAWING THIRD ANGLE PROJECTION		UNLESS OTHERWISE SPECIFIED DIMENSIONS ARE INCH OR (MILLIMETER) TOLERANCES: 2-PLACE ± N/A 3-PLACE ± N/A ANGULAR ± N/A	
ECN006903 2 REDRAWN WITH CHANGES 03-13-13 JSK RM		ECN004145 0 RELEASED 10-04-11 JSK JW		
ENG NOTICE NO. REV. NO. REVISIONS DATE BY CHKD APPR				
20 CONFIDENTIALITY NOTICE THIS DRAWING AND INFORMATION CONTAINED HEREIN ARE THE EXCLUSIVE PROPERTY OF EMERSON CLIMATE TECHNOLOGIES, INC. AND SHALL BE RETURNED UPON DEMAND AND SHALL NOT BE REPRODUCED IN WHOLE OR IN PART, DISCLOSED TO ANYONE ELSE OR USED, WITHOUT THE WRITTEN CONSENT OF EMERSON CLIMATE TECHNOLOGIES, INC.				
MATERIAL SPECIFICATION N/A		DRAWN BY JSK DATE 03-13-13 SUPERSEDES DWG. NO. / REV. NO. 497-1173-00 / 1 SCALE 1:2 DATE FORMAT: MM-DD-YY		
TITLE REF DWG - WELD COMP ASSM		DRAWING NUMBER SHEET 1 OF 1 DWG SIZE 497-1173-00 4		

UNCONTROLLED - DO NOT MODIFY

©COPYRIGHT EMERSON CLIMATE TECHNOLOGIES, INC. - CONFIDENTIAL