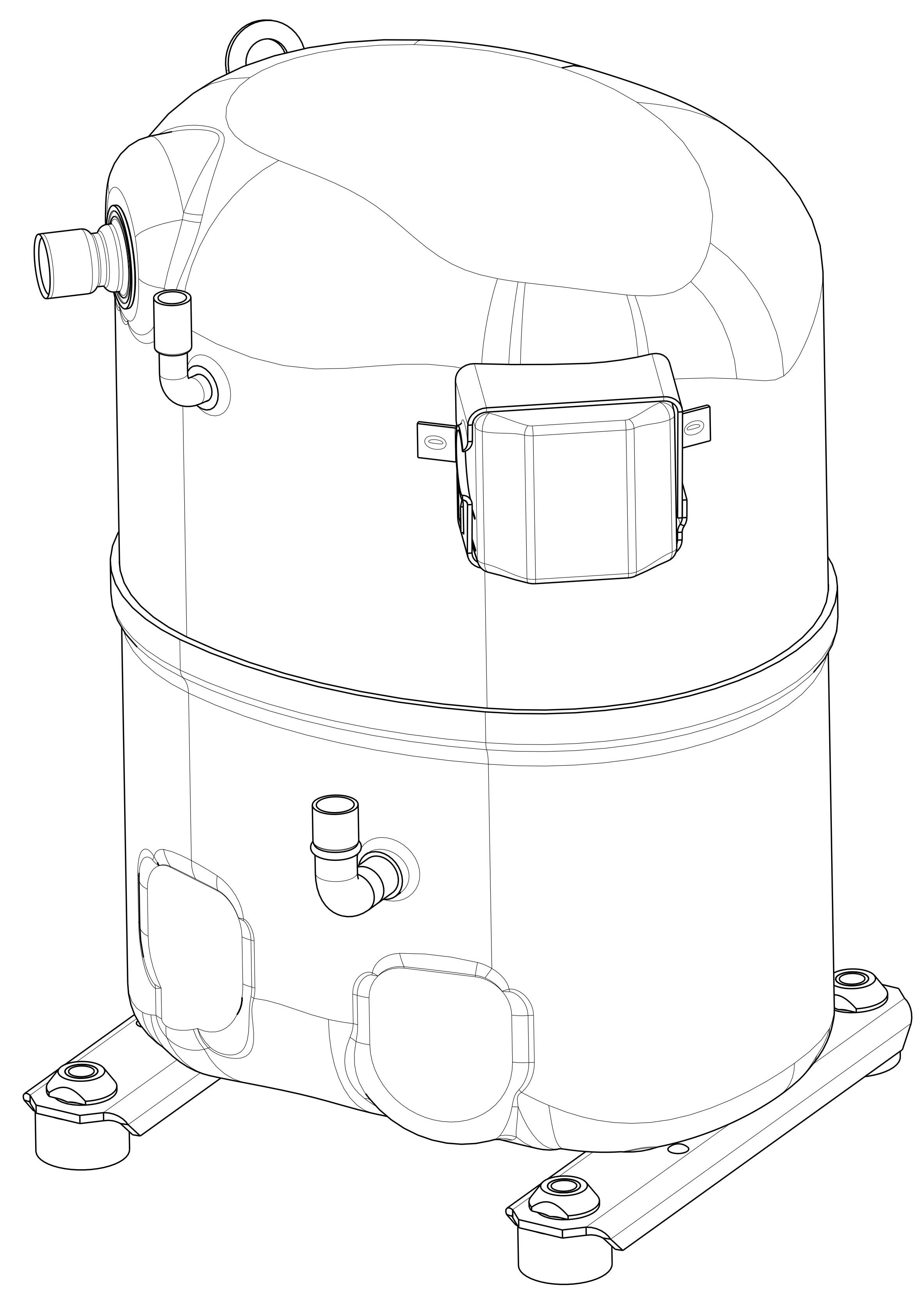


3 PART NUMBER	A	B
497-3825-00	13.674	11.815
497-3825-01	13.424	11.565
497-3825-02	13.054	11.195
497-3825-03	13.924	12.065
497-3825-04	12.924	11.065
497-3825-05	13.054	11.195
497-3825-06	13.424	11.565
497-3825-07	13.674	11.815
497-3825-08	13.674	11.815
497-3825-09	13.924	12.065
497-3825-10	12.804	10.945
497-3825-11	13.174	11.315
497-3825-12	13.174	11.315
497-3825-13	14.174	12.315
497-3825-14	14.174	12.315
497-3825-15	12.924	11.065
497-3825-16	13.674	11.815
497-3825-17	14.174	12.315

7 8



MODEL/PART CROSS REF ³	
MODEL NUMBER	PART NUMBER FOR SE -525
CR32K6-PFZ	497-3825-00
CR34K6-PFV	
CR35K6-PFV	
CR35K6E-PFV	
CR35K6-TF5	
CR34K6E-PFV	497-3825-01
CR35K6E-TF5	
CR30K6-PFJ	
CR30K6-PFV	
CR30K6-TF5	
CR30K6E-PFV	
CR30K6E-TF5	
CR32K6-PFV	
CR32K6-TF5	
CR32K6E-PFV	
CR32K6E-TF5	497-3825-02
CR30K6E-PFJ	
CR32K6E-PFJ	
CR32K6-PFJ	
CR24K6-PFV	
CR24K6-TF5	497-3825-03
CR24K6E-PFV	
CR24K6E-TF5	
CR24K6E-PFJ	
CR36K6-PFZ	
CR38K6-PFV	497-3825-04
CR38K6-PFZ	
CR38K6-TF5	
CR38K6E-PFV	
CR38K6E-TF5	
CR18K6-TF5	497-3825-05
CR18K6-TFD	
CR22K6-PFJ	
CR22K6-TF5	
CR22K6E-PFJ	
CR18K6E-TFD	497-3825-06
CR24K6-TFD	
CR24K6E-TFD	
CR30K6-TFD	
CR30K6E-TFD	
CR32K6-TFD	497-3825-07
CR32K6E-TFD	
CR24K6-PFZ	
CR35K6-TFD	
CR35K6-TFE	
CR38K6-TFD	497-3825-08
CR38K6-TFE	
CR16K6-PFV	
CR18K6-PFJ	
CR18K6E-PFJ	
CR18K6-PFV	497-3825-09
CR18K6E-PFV	
CR18K6E-TF5	
CR20K6-PFV	
CR22K6-PFV	
CR20K6E-PFV	497-3825-10
CR28K6-PFJ	
CR28K6-PFV	
CR28K6-TF5	
CR28K6E-PFV	
CR28K6E-TF5	497-3825-11
CR28K6-TFD	
CR42K6-PFZ	
CR42K6-TF5	
CR42K6E-PFV	
CR42K6E-TF5	497-3825-12
CR42K6-TFD	
CR42K6-TFE	
CR42K6E-TFD	
CR42K6-TFM	
CR22K6E-TFD	497-3825-13
CR34K6-PFZ	
CR34K6E-PFZ	
CR42K6-TFM	
CR42K6E-TFM	
CR42K6-TFM	497-3825-14
CR42K6-TFM	
CR42K6-TFM	
CR42K6-TFM	
CR42K6-TFM	
CR42K6-TFM	497-3825-15
CR42K6-TFM	
CR42K6-TFM	
CR42K6-TFM	
CR42K6-TFM	
CR42K6-TFM	497-3825-16
CR42K6-TFM	
CR42K6-TFM	
CR42K6-TFM	
CR42K6-TFM	
CR42K6-TFM	497-3825-17
CR42K6-TFM	
CR42K6-TFM	
CR42K6-TFM	
CR42K6-TFM	

SPECIFICATIONS	
ES NO.	DESCRIPTION
ES22-122	PACKAGING
ES81-159	CLEANLINESS
ES81-250	IDENTIFICATION
ES92-167	REGULATORY COMPLIANCE

NOTES:
 1. TOLERANCES TO BE ±0.12 UNLESS OTHERWISE SPECIFIED.
 2. TUBE ENDS MUST BE PLUGGED.
³ FOR MODEL APPLICATION REFER TO CHART



INTERPRET PER ASME Y14.5M-1994 AND EMERSON CLIMATE TECHNOLOGIES, INC. DESIGN STANDARDS DS2002 DO NOT SCALE DRAWING
 THIRD ANGLE PROJECTION
 UNLESS OTHERWISE SPECIFIED DIMENSIONS ARE INCH OR (MILLIMETER)
 TOLERANCES:
 2-PLACE ± N/A
 3-PLACE ± N/A
 ANGULAR ± N/A

ENG NOTICE NO.	REV. NO.	REVISIONS	DATE	BY	CHKD	APPR
ECN100334	9	ADDED MODEL: CR35K6E-PFV	11-12-14	VSB	BAH	EJT
ECN007585	8	REINSTATE -16	09-30-13	ANR	BAH	EJT
ECN007585	7	OBSOLETE -16	09-13-13	BMS	BAH	EJT
ECN007511	6	UPDATED MODEL NUMBER TABLE	08-21-13	PAS	BAH	EJT
ECN005086	5	UPDATED MODEL NUMBERS TABLE	02-02-12	PAS	BAH	EJT
ECN004797	4	SEE SHEET 2	12-22-11	DB	BAH	EJT
ECN003995	0	RELEASED	07-12-11	KRB	BAH	EJT

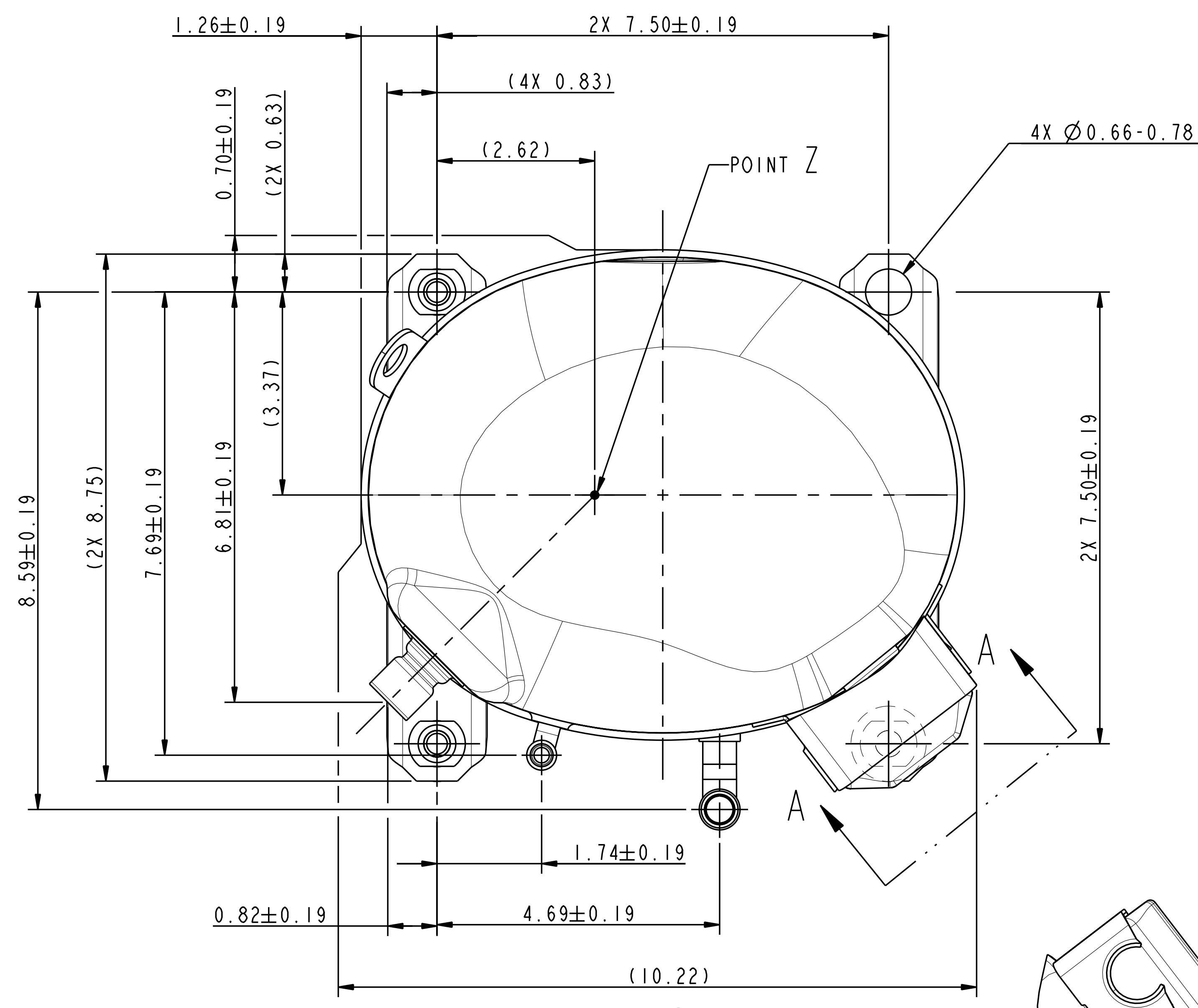
CONFIDENTIALITY NOTICE
 THIS DRAWING AND INFORMATION CONTAINED HEREIN ARE THE EXCLUSIVE PROPERTY OF EMERSON CLIMATE TECHNOLOGIES, INC. AND SHALL BE RETURNED UPON DEMAND AND SHALL NOT BE REPRODUCED IN WHOLE OR IN PART, DISCLOSED TO ANYONE ELSE OR USED, WITHOUT THE WRITTEN CONSENT OF EMERSON CLIMATE TECHNOLOGIES, INC.

3	THIS DRAWING AND INFORMATION CONTAINED HEREIN ARE THE EXCLUSIVE PROPERTY OF EMERSON CLIMATE TECHNOLOGIES, INC. AND SHALL BE RETURNED UPON DEMAND AND SHALL NOT BE REPRODUCED IN WHOLE OR IN PART, DISCLOSED TO ANYONE ELSE OR USED, WITHOUT THE WRITTEN CONSENT OF EMERSON CLIMATE TECHNOLOGIES, INC.
---	---

DATE	SCALE	SUPERSEDES DWG. NO. / REV. NO.
12-22-11	1:1	497-3825-00 / 03

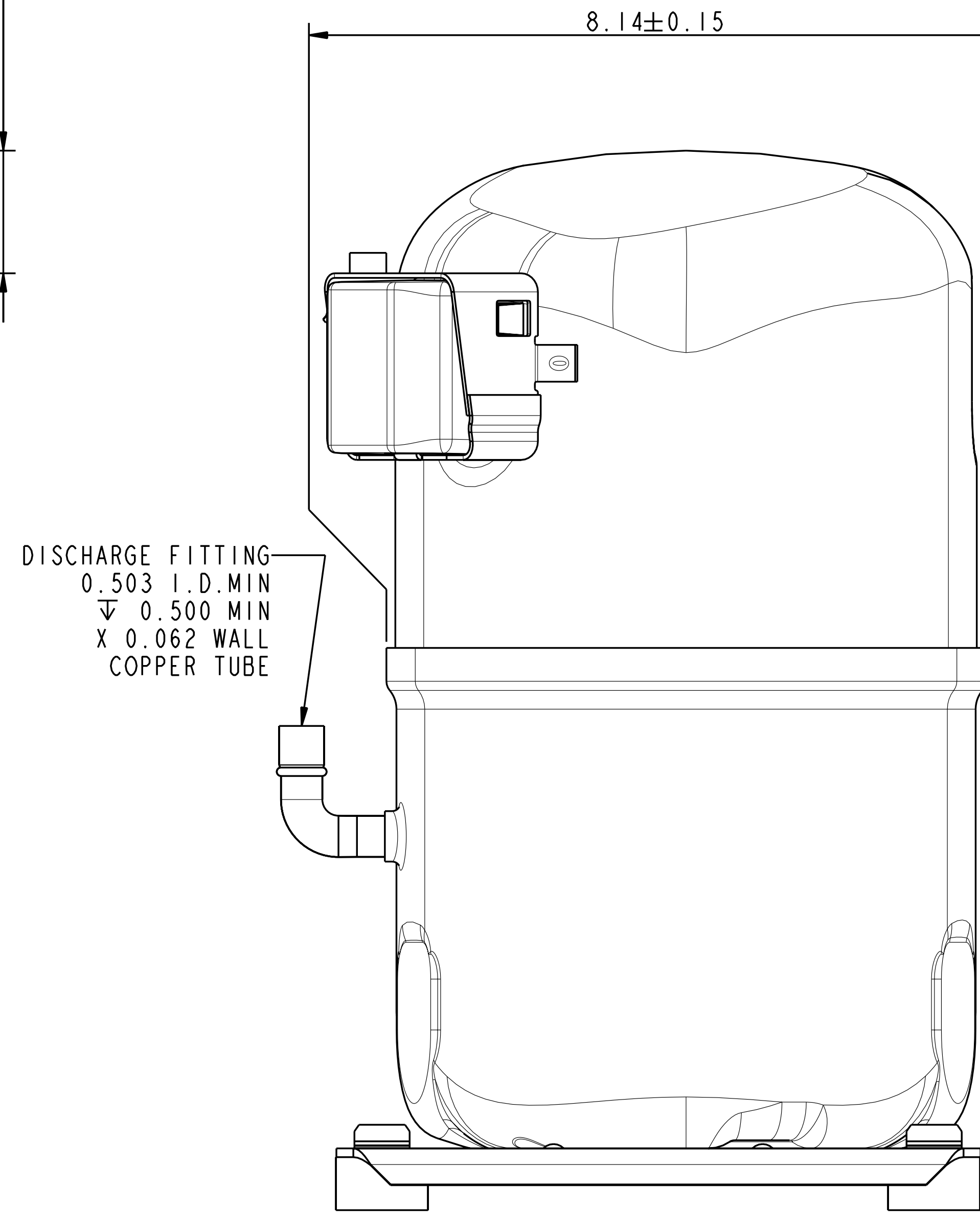
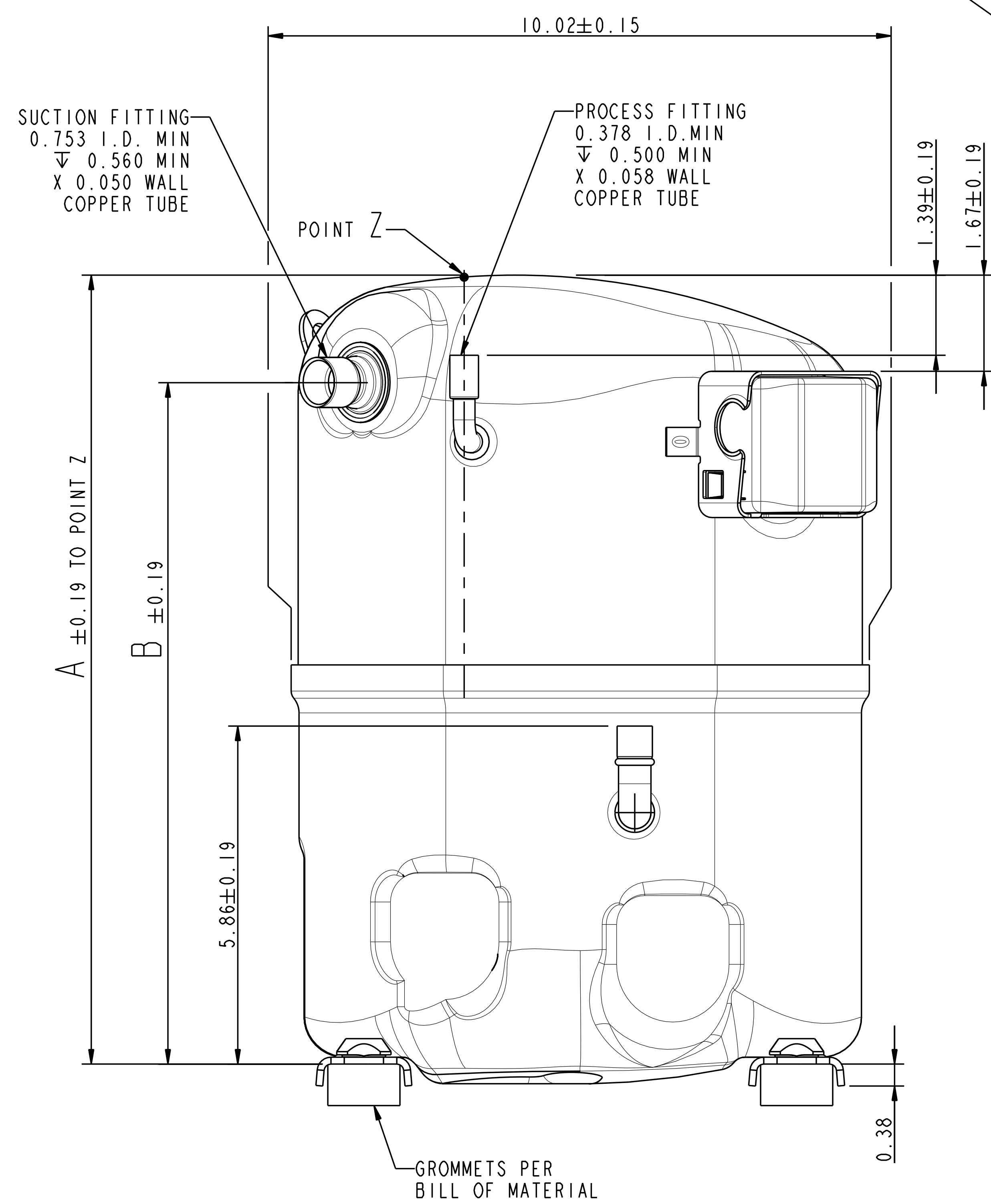
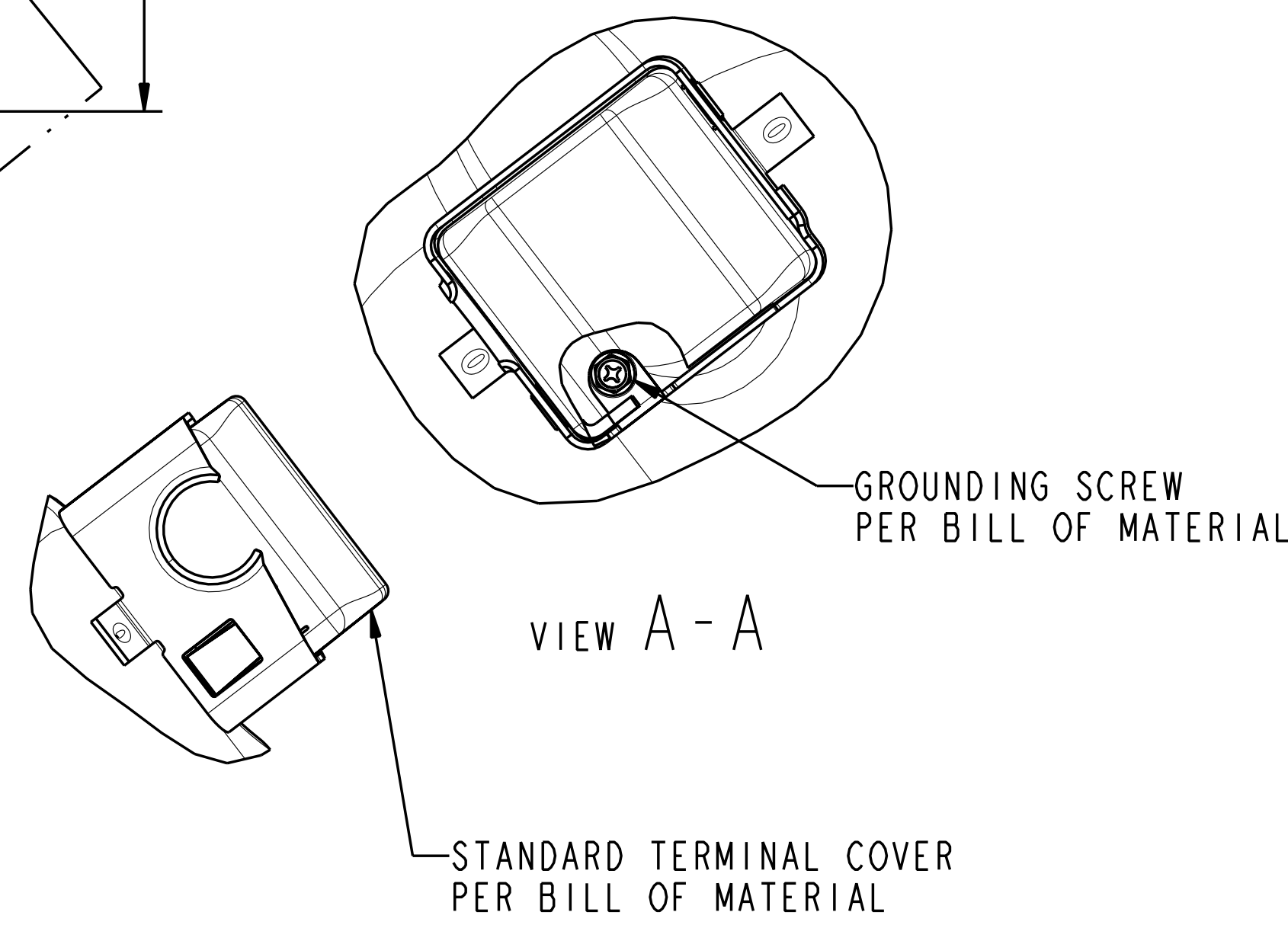
TITLE
 REF DWG - WELD COMP ASSM

DRAWING NUMBER SHEET 1 OF 2
 497-3825-00

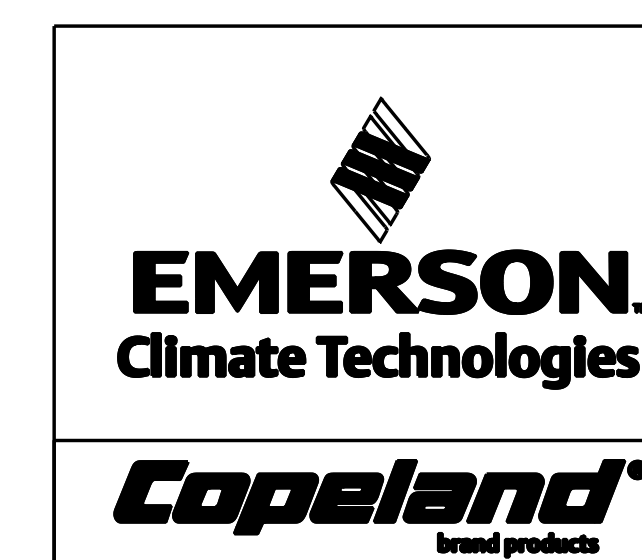


DUE TO ACCUMULATED ASSEMBLY TOLERANCES THE LISTED COMPONENTS MAY VARY FROM THE MOUNTING HOLES AS TABULATED.

DISCHARGE TUBE	±0.125
SUCTION TUBE	±0.187
PROCESS TUBE	±0.187



ENG NOTICE NO.	REV. NO.	REVISIONS	DATE	BY	CHKD	APPR
ECN100334	9	SEE SHEET I	11-12-14	VSB	BAH	EJT
ECN007585	8	SEE SHEET I	09-30-13	ANR	BAH	EJT
ECN007585	7	SEE SHEET I	09-13-13	BMS	BAH	EJT
ECN007511	6	SEE SHEET I	08-21-13	PAS	BAH	EJT
ECN005086	5	SEE SHEET I	02-02-12	PAS	BAH	EJT
ECN004797	4	REDRAWN WITH CHANGES	12-22-11	DB	BAH	EJT
ECN003995	0	RELEASED	07-12-11	KRB	BAH	EJT



INTERPRET PER ASME Y14.5M-1994 AND EMERSON CLIMATE TECHNOLOGIES, INC. DESIGN STANDARDS DS2002 DO NOT SCALE DRAWING
THIRD ANGLE PROJECTION
UNLESS OTHERWISE SPECIFIED DIMENSIONS ARE INCH OR (MILLIMETER)
TOLERANCES:
2-PLACE ± N/A
3-PLACE ± N/A
ANGULAR ± N/A

CONFIDENTIALITY NOTICE		SUPERSEDES DWG. NO. / REV. NO.	
THIS DRAWING AND INFORMATION CONTAINED HEREIN ARE THE EXCLUSIVE PROPERTY OF EMERSON CLIMATE TECHNOLOGIES, INC. AND SHALL BE RETURNED UPON DEMAND AND SHALL NOT BE REPRODUCED IN WHOLE OR IN PART, DISCLOSED TO ANYONE ELSE OR USED, WITHOUT THE WRITTEN CONSENT OF EMERSON CLIMATE TECHNOLOGIES, INC.		DB	497-3825-00 / 03
DATE	SCALE	DATE	DATE FORMAT
12-22-11	3:4	MM-DD-YY	
TITLE		DRAWING NUMBER SHEET 2 OF 2	
REF DWG - WELD COMP ASSM		497-3825-00	