

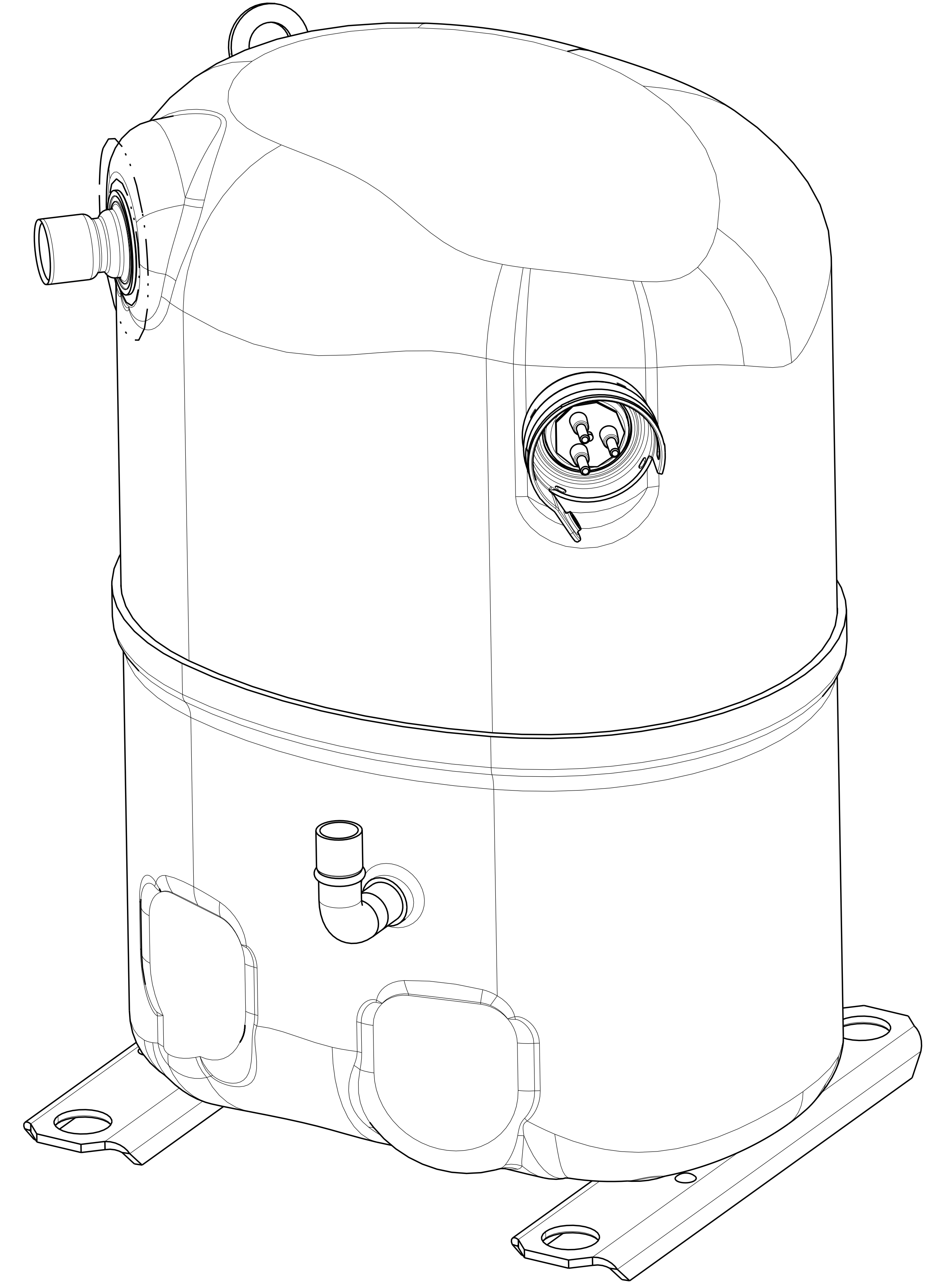
12	11	10	9	8	7	6	5	4	3	2	1
3	A	B	C								
PART NUMBER											
497-3830-00	14.174	12.315	11.285								
497-3830-01	14.174	12.315	11.285								
497-3830-02	13.924	12.065	11.035								
497-3830-03	13.924	12.065	11.035								
497-3830-04	13.674	11.815	10.785								
497-3830-05	13.674	11.815	10.785								
497-3830-06	14.424	12.565	11.535								
497-3830-07	12.924	11.065	10.035								
497-3830-08	13.054	11.195	10.165								
497-3830-09	13.174	11.315	10.285								
497-3830-10	13.174	11.315	10.285								
497-3830-11	13.424	11.565	10.535								
497-3830-12	13.424	11.565	10.535								
497-3830-13	12.804	10.945	9.915								
497-3830-14	12.674	10.815	9.785								
497-3830-15	14.174	12.315	11.285								
497-3830-16	14.174	12.315	11.285								
497-3830-17	13.924	12.065	11.035								
497-3830-18	13.924	12.065	11.035								
497-3830-19	13.674	11.815	10.785								
497-3830-20	13.674	11.815	10.785								
497-3830-21	14.424	12.565	11.535								
497-3830-22	12.924	11.065	10.035								
497-3830-23	13.054	11.195	10.165								
497-3830-24	13.174	11.315	10.285								
497-3830-25	13.174	11.315	10.285								
497-3830-26	13.424	11.565	10.535								
497-3830-27	13.424	11.565	10.535								
497-3830-28	12.804	10.945	9.915								
497-3830-29	12.674	10.815	9.785								

MODEL/PART CROSS REF <sup>3</sup>		
MODEL NUMBER	PART NUMBER FOR SE -125	PART NUMBER FOR SE -175 <sup>4</sup>
CR42K6-PFV	497-3830-00	497-3830-15
CR42K6-TFD		
CR42K6-TFE		
CR42K6-TFM		
CR42K6-TF5		
CR42K6E-PFV		
CR42K6E-TFD		
CR42K6E-TFE		
CR42K6E-TF5		
CR38K6-PFZ		
CR38K6E-PFZ	--	
CR38K6-PFV	497-3830-02	497-3830-17
CR38K6-TFD		
CR38K6-TFE		
CR38K6-TFM		
CR38K6-TF5		
CR38K6E-PFV		
CR38K6E-TFD		
CR38K6E-TFE		
CR38K6E-TF5		
CR36K6-PFZ		
CR36K6E-PFZ	--	
CR34K6-PFV	497-3830-04	497-3830-19
CR35K6-PFV		
CR35K6-TFD		
CR35K6E-TFE		
CR35K6E-TF5		
CR34K6E-PFV		
CR35K6E-PFV		
CR35K6E-TFD		
CR35K6E-TFE		
CR35K6E-TF5		
CR32K6-PFZ	497-3830-05	--
CR32K6E-PFZ		497-3830-20
CR42K6-PFZ	497-3830-06	497-3830-21
CR42K6E-PFZ		--
CR18K6-TFD	497-3830-07	497-3830-22
CR18K6-TF5		
CR22K6-PFJ		
CR22K6-TFD		
CR22K6-TF5		
CR18K6E-TFD		
CR18K6E-TF5		
CR22K6E-PFJ		
CR22K6E-TFD		
CR22K6E-TF5		
CR24K6-PFJ	497-3830-08	497-3830-23
CR24K6-PFV		
CR24K6-TFD		
CR24K6-TF5		
CR24K6E-PFJ		
CR24K6E-PFV		
CR24K6E-TFD		
CR24K6E-TF5		

MODEL/PART CROSS REF <sup>3</sup>				
MODEL NUMBER	PART NUMBER FOR SE -125	PART NUMBER FOR SE -175 <sup>4</sup>		
CR28K6-PFJ	497-3830-09	497-3830-24		
CR28K6-PFV				
CR28K6-TFD				
CR28K6-TF5				
CR28K6E-PFJ				
CR28K6E-PFV				
CR28K6E-TFD				
CR28K6E-TF5				
CR24K6-PFZ			497-3830-10	497-3830-25
CR30K6-PFJ			497-3830-11	497-3830-26
CR30K6-PFV				
CR30K6-TFD				
CR30K6-TF5				
CR32K6-PFJ				
CR32K6-PFV				
CR32K6-TFD				
CR32K6-TFE				
CR32K6-TF5				
CR30K6E-PFJ	497-3830-12	497-3830-27		
CR30K6E-TFD				
CR30K6E-TF5	497-3830-13	497-3830-28		
CR32K6E-PFJ				
CR32K6E-PFV				
CR32K6E-TFD				
CR32K6E-TF5				
CR32K6E-TFE				
CR32K6E-PFZ			--	497-3830-26
CR28K6-PFZ			497-3830-12	497-3830-27
CR16K6-PFJ			497-3830-14	497-3830-29
CR16K6-PFV				
CR18K6-PFJ				
CR18K6-PFV				
CR20K6-PFV				
CR22K6-PFV				
CR16K6E-PFJ				
CR16K6E-PFV				
CR18K6E-PFJ				
CR18K6E-PFV				
CR20K6E-PFV				
CR22K6E-PFV				
CR14K6-PFV	497-3830-14	497-3830-29		

SPECIFICATIONS	
ES NO.	DESCRIPTION
ES22-122	PACKAGING
ES81-159	CLEANLINESS
ES81-250	IDENTIFICATION
ES92-167	REGULATORY COMPLIANCE

- NOTES:
1. TOLERANCES TO BE ±0.12 UNLESS OTHERWISE SPECIFIED.
  2. TUBE ENDS MUST BE PLUGGED.
  3. FOR MODEL APPLICATION REFER TO CHART
  4. MODEL SE INCLUDES CRANKCASE HEATER



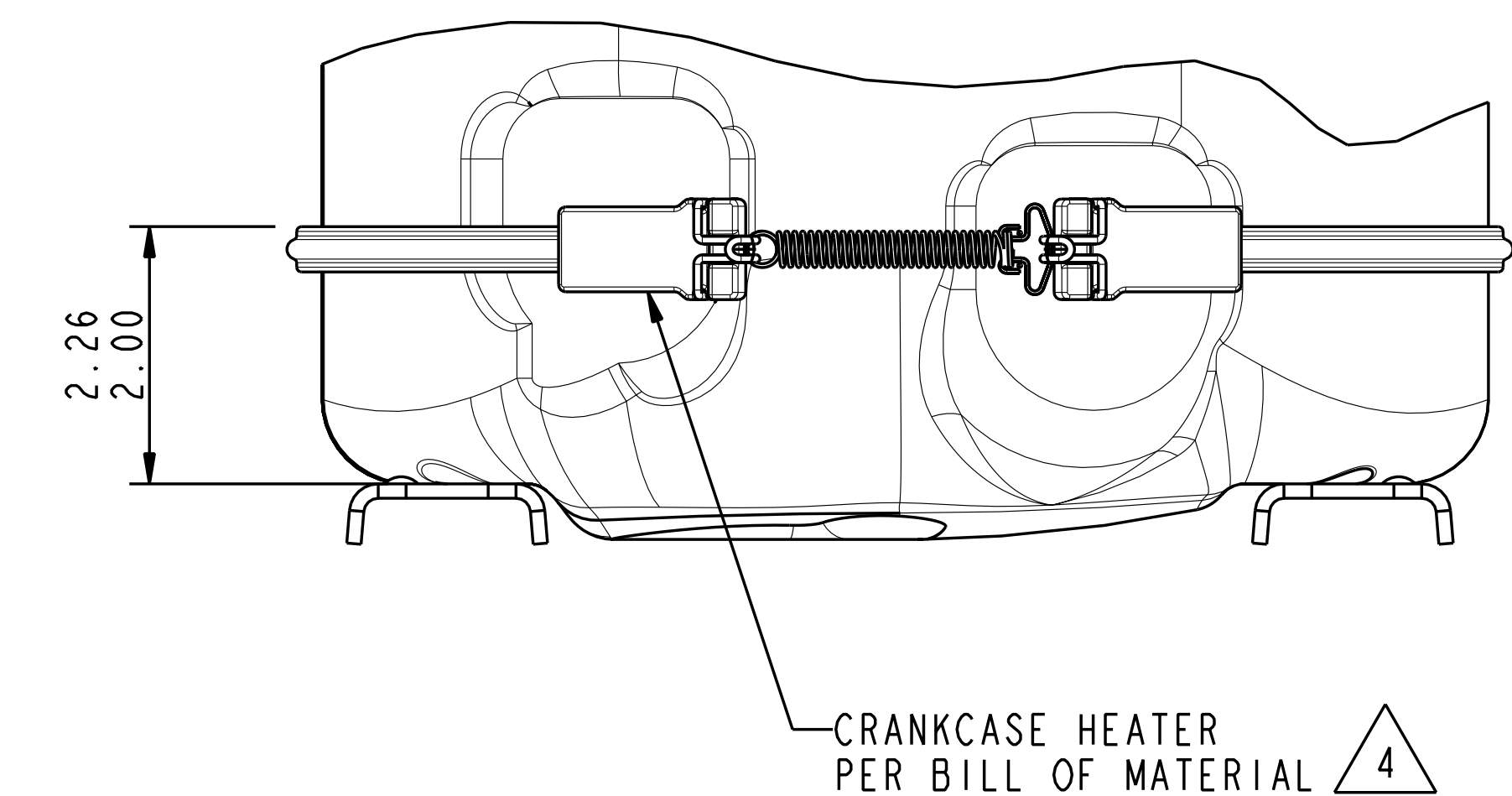
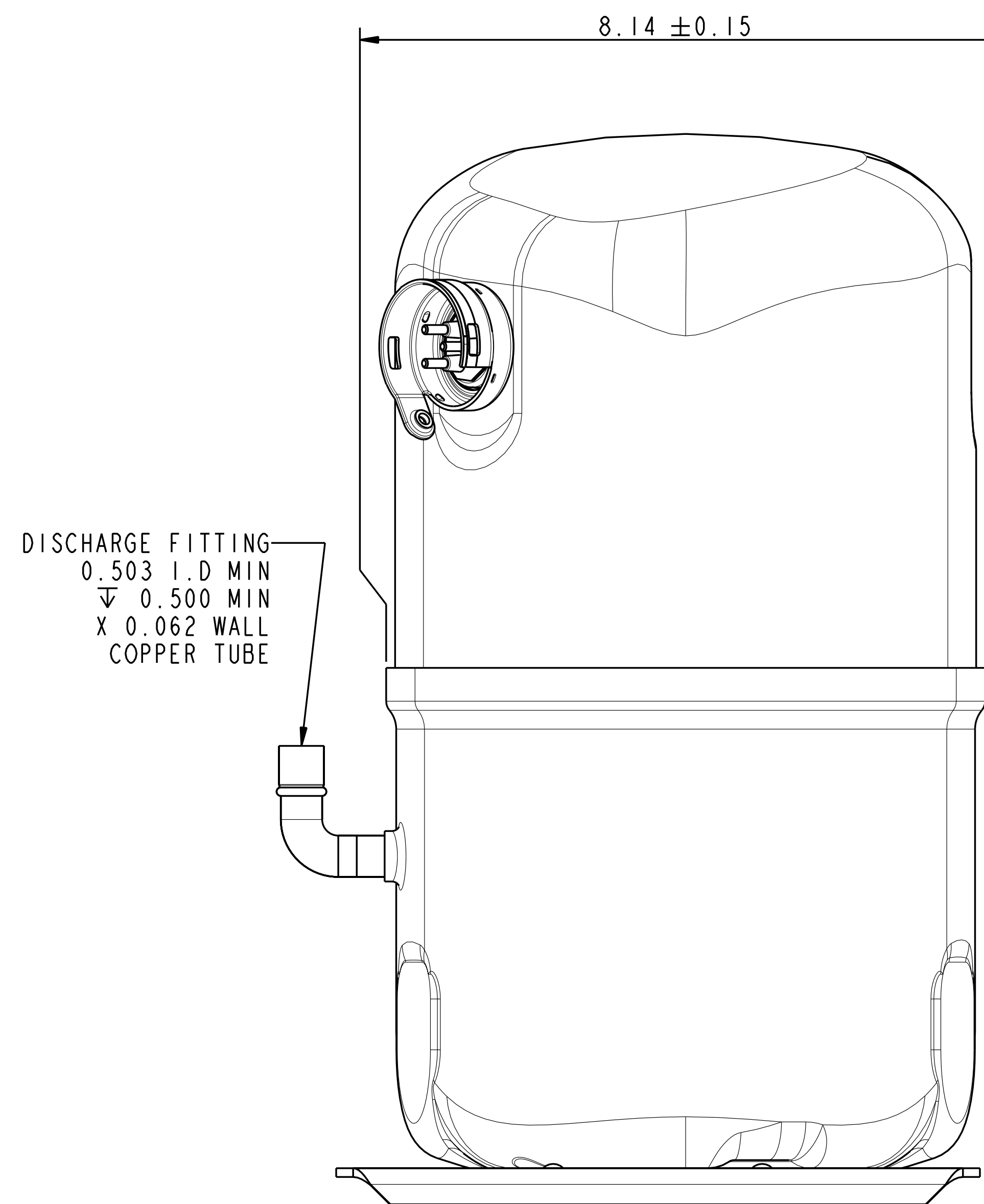
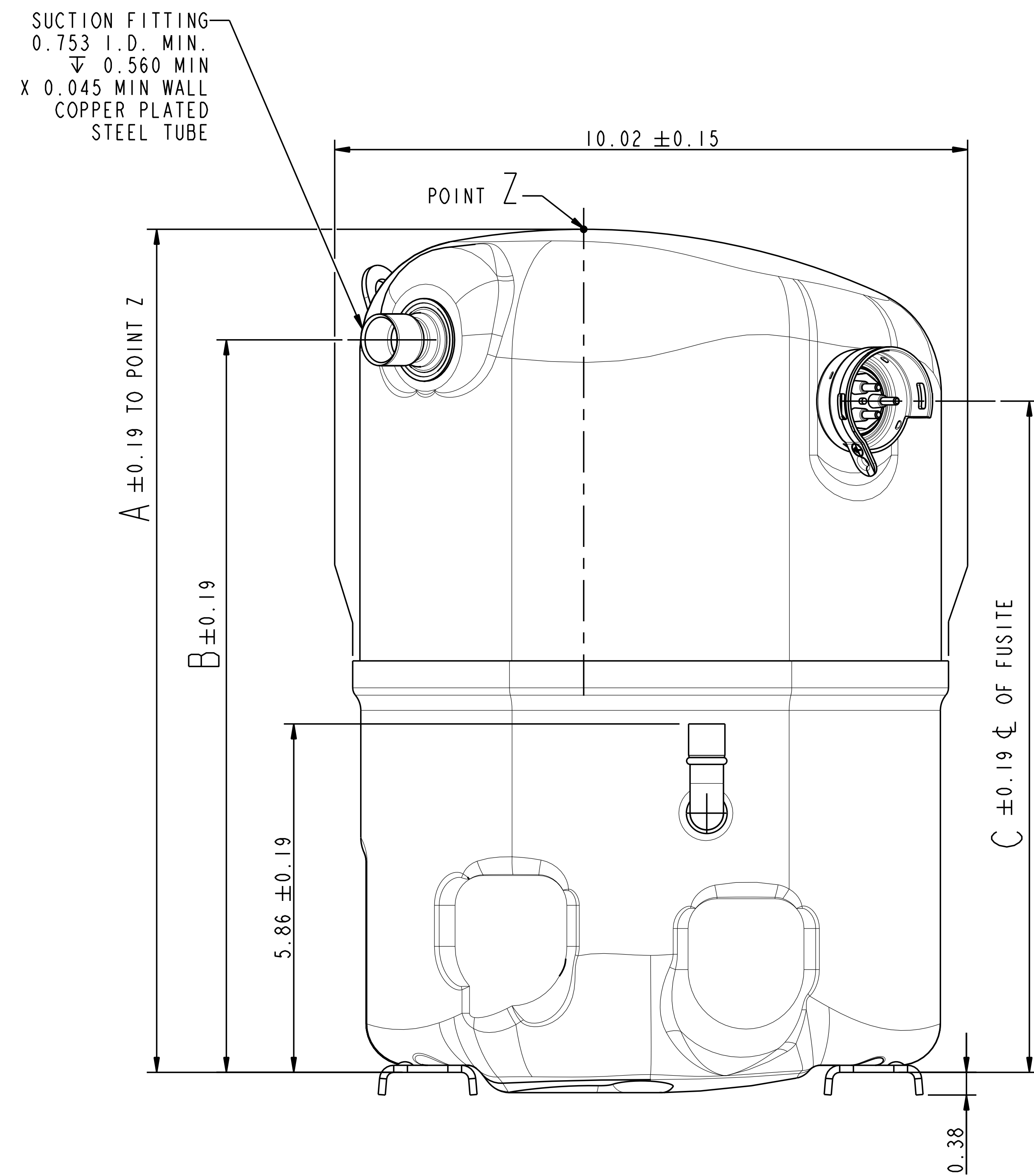
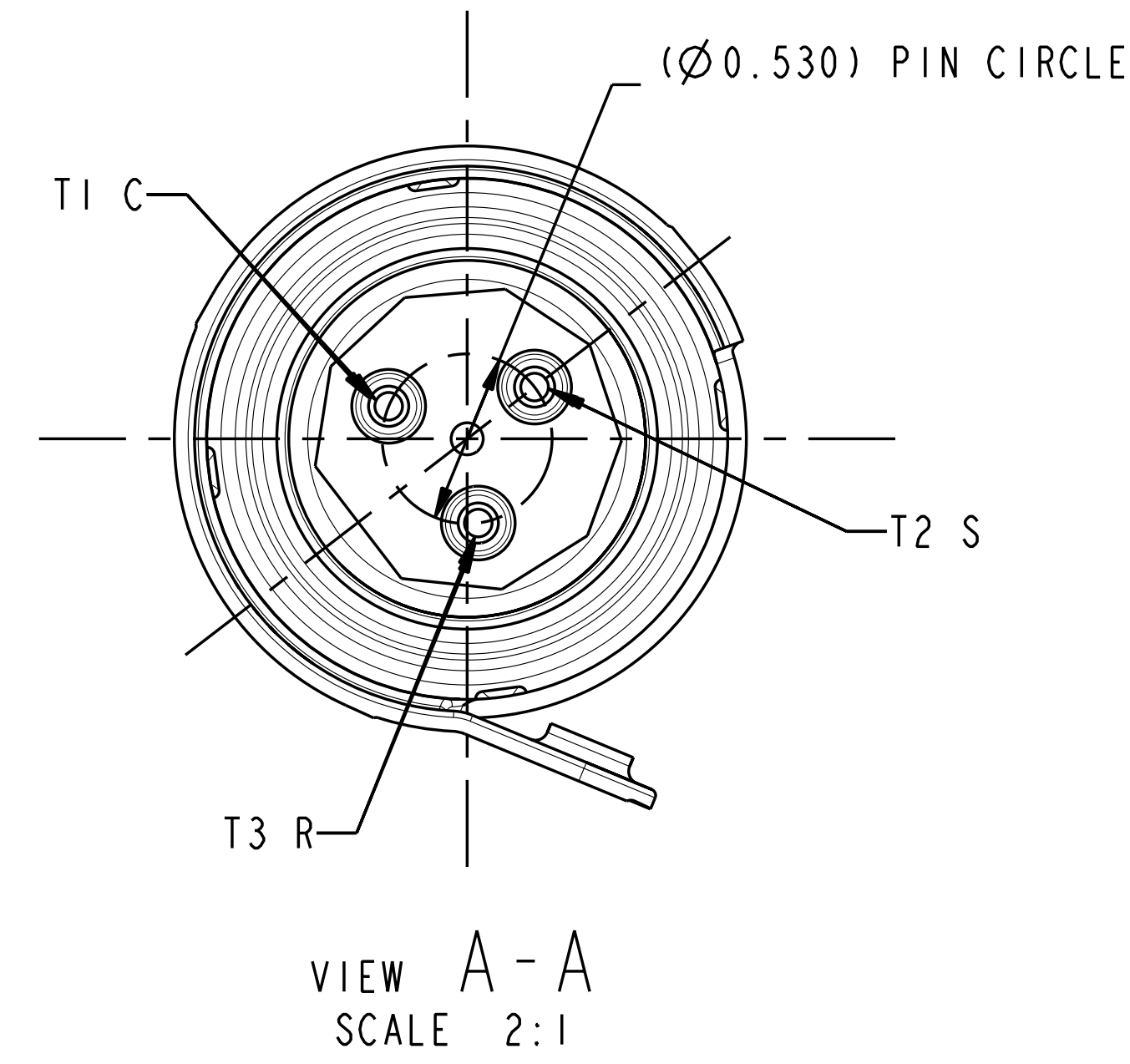
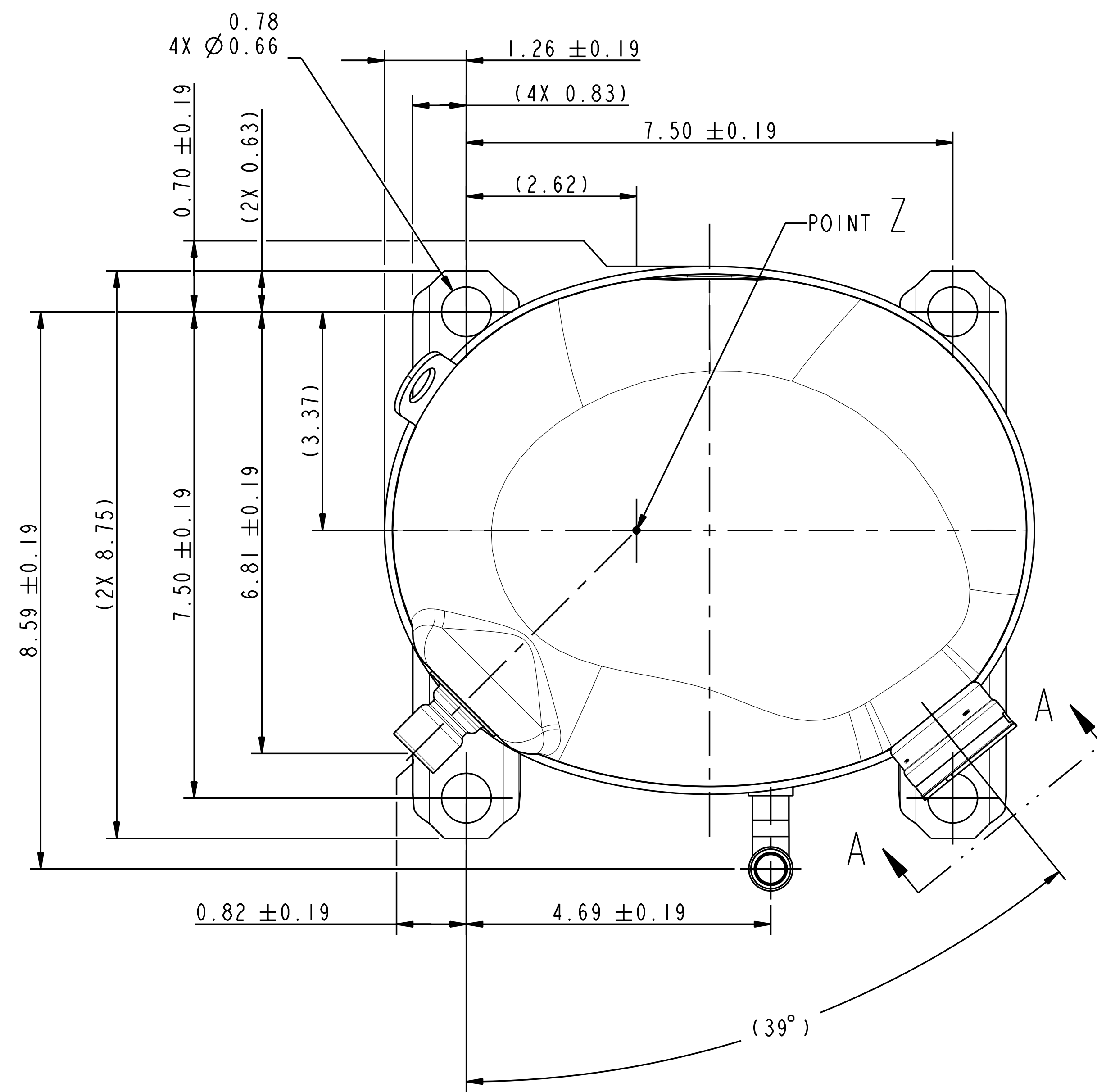
ECN008942	4	ADDED MODEL CR32K6E-PFZ IN TABLE	09-03-14	VSB	BAH	EJT
ECN008483	3	ADDED MODELS; CR36K6E-PFZ & CR42K6E-PFZ	05-13-14	VSB	BAH	EJT
ECN007871	2	ADDED CR38K6E-PFZ MODEL IN TABLE	12-18-13	RRP	BAH	EJT
ECN007585	1	OBSOLETE -10, -12, -14, -16, -18 -20, -25, -21, -29	09-13-13	BMS	BAH	EJT
ECN004534	0	RELEASED	10-05-11	KRB	BAH	EJT

EMERSON  
Climate Technologies

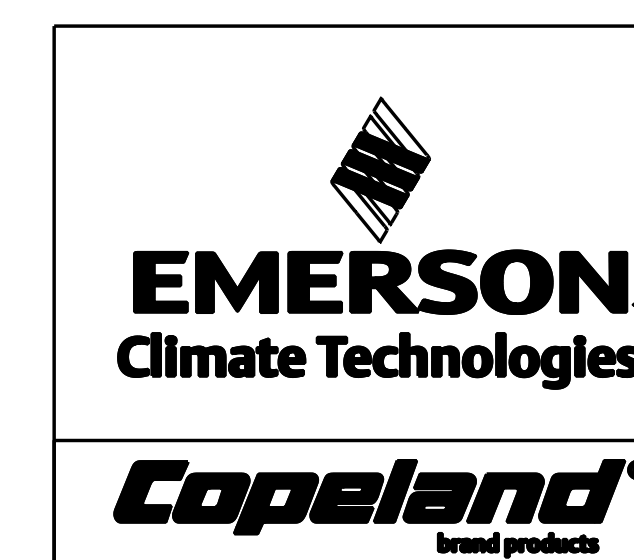
Copeland  
brand products

INTERRUPT PER ASME Y14.5M-1994 AND EMERSON CLIMATE TECHNOLOGIES, INC. DESIGN STANDARDS DS2002	THIRD ANGLE PROJECTION	UNLESS OTHERWISE SPECIFIED DIMENSIONS ARE INCH OR MILLIMETER)	TOLERANCES:	2-PLACE ± N/A	3-PLACE ± N/A	ANGULAR ± N/A
<p>CONFIDENTIALITY NOTICE</p> <p>THIS DRAWING AND INFORMATION CONTAINED HEREIN ARE THE EXCLUSIVE PROPERTY OF EMERSON CLIMATE TECHNOLOGIES, INC. AND SHALL BE RETURNED UPON DEMAND AND SHALL NOT BE REPRODUCED IN WHOLE OR IN PART, DISCLOSED TO ANYONE ELSE OR USED, WITHOUT THE WRITTEN CONSENT OF EMERSON CLIMATE TECHNOLOGIES, INC.</p> <p>MATERIAL SPECIFICATION</p> <p>DRAWN BY: KRB DATE: 10-05-11</p> <p>SUPERSEDES DWG. NO. / REV. NO.: 497-2548-00 / 63</p> <p>SCALE: 1:1 DATE FORMAT: MM-DD-YY</p> <p>TITLE: REF DWG - WELD COMP ASSM</p> <p>DRAWING NUMBER SHEET 1 OF 2 497-3830-00</p>						

SPECIFICATIONS	
ES NO.	DESCRIPTION
ES22-122	PACKAGING
ES81-159	CLEANLINESS
ES81-250	IDENTIFICATION
ES92-167	REGULATORY COMPLIANCE



ENG NOTICE NO.	REV. NO.	REVISIONS	DATE	BY	CHKD	APPR
ECN008942	4	SEE SHEET I	09-03-14	VSB	BAH	EJT
ECN008483	3	SEE SHEET I	05-13-14	VSB	BAH	EJT
ECN007871	2	SEE SHEET I	12-18-13	RRP	BAH	EJT
ECN007585	1	SEE SHEET I	09-13-13	BMS	BAH	EJT
ECN004534	0	RELEASED	10-05-11	KRB	BAH	EJT



INTERPRET PER ASME Y14.5M-1994 AND EMERSON CLIMATE TECHNOLOGIES, INC. DESIGN STANDARDS DS2002 DO NOT SCALE DRAWING  
THIRD ANGLE PROJECTION  
UNLESS OTHERWISE SPECIFIED DIMENSIONS ARE INCH OR (MILLIMETER)  
TOLERANCES:  
2-PLACE ± N/A  
3-PLACE ± N/A  
ANGULAR ± N/A

CONFIDENTIALITY NOTICE	
THIS DRAWING AND INFORMATION CONTAINED HEREIN ARE THE EXCLUSIVE PROPERTY OF EMERSON CLIMATE TECHNOLOGIES, INC. AND SHALL BE RETURNED UPON DEMAND AND SHALL NOT BE REPRODUCED IN WHOLE OR IN PART, DISCLOSED TO ANYONE ELSE OR USED, WITHOUT THE WRITTEN CONSENT OF EMERSON CLIMATE TECHNOLOGIES, INC.	
3	MATERIAL SPECIFICATION
DRAWN BY	KRB
DATE	10-05-11
SUPERSEDES DWG. NO. / REV. NO.	497-2548-00 / 63
SCALE	3:4
DATE FORMAT	MM-DD-YY
TITLE	REF DWG - WELD COMP ASSM
DRAWING NUMBER	497-3830-00
SHEET	2 OF 2
SIZE	5