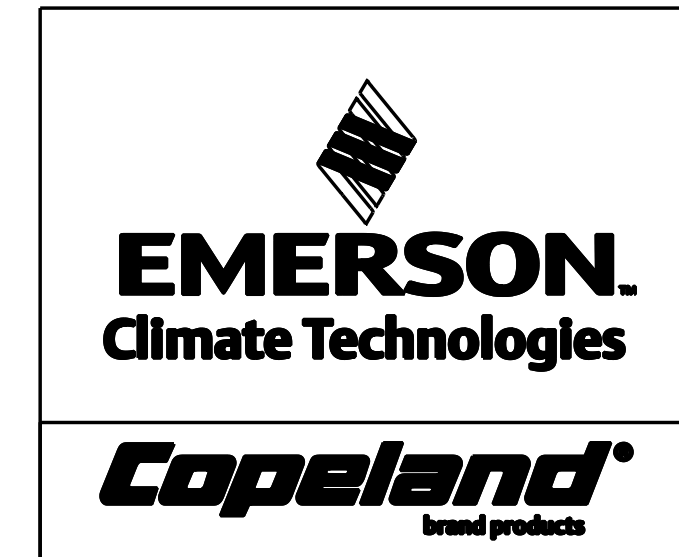
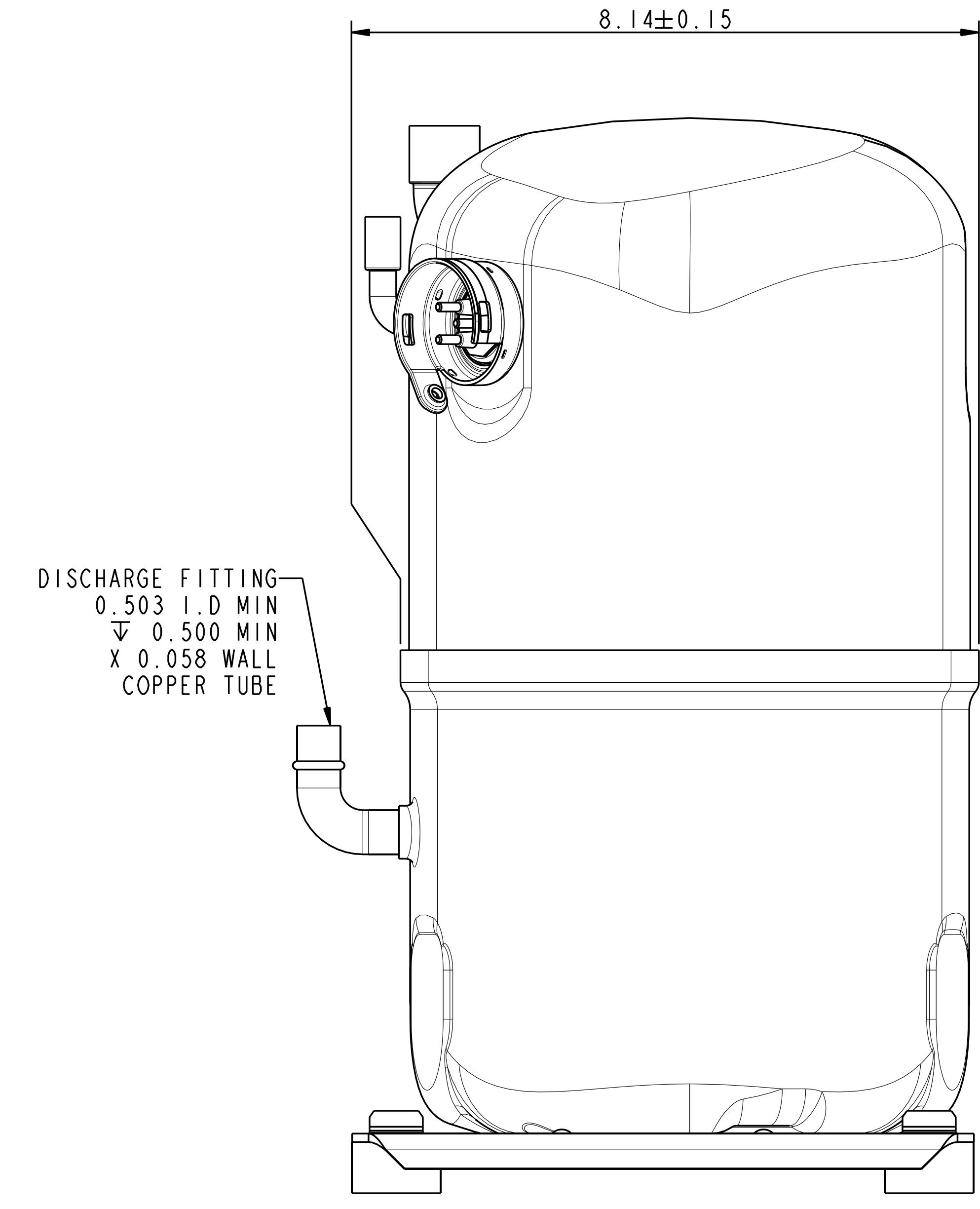
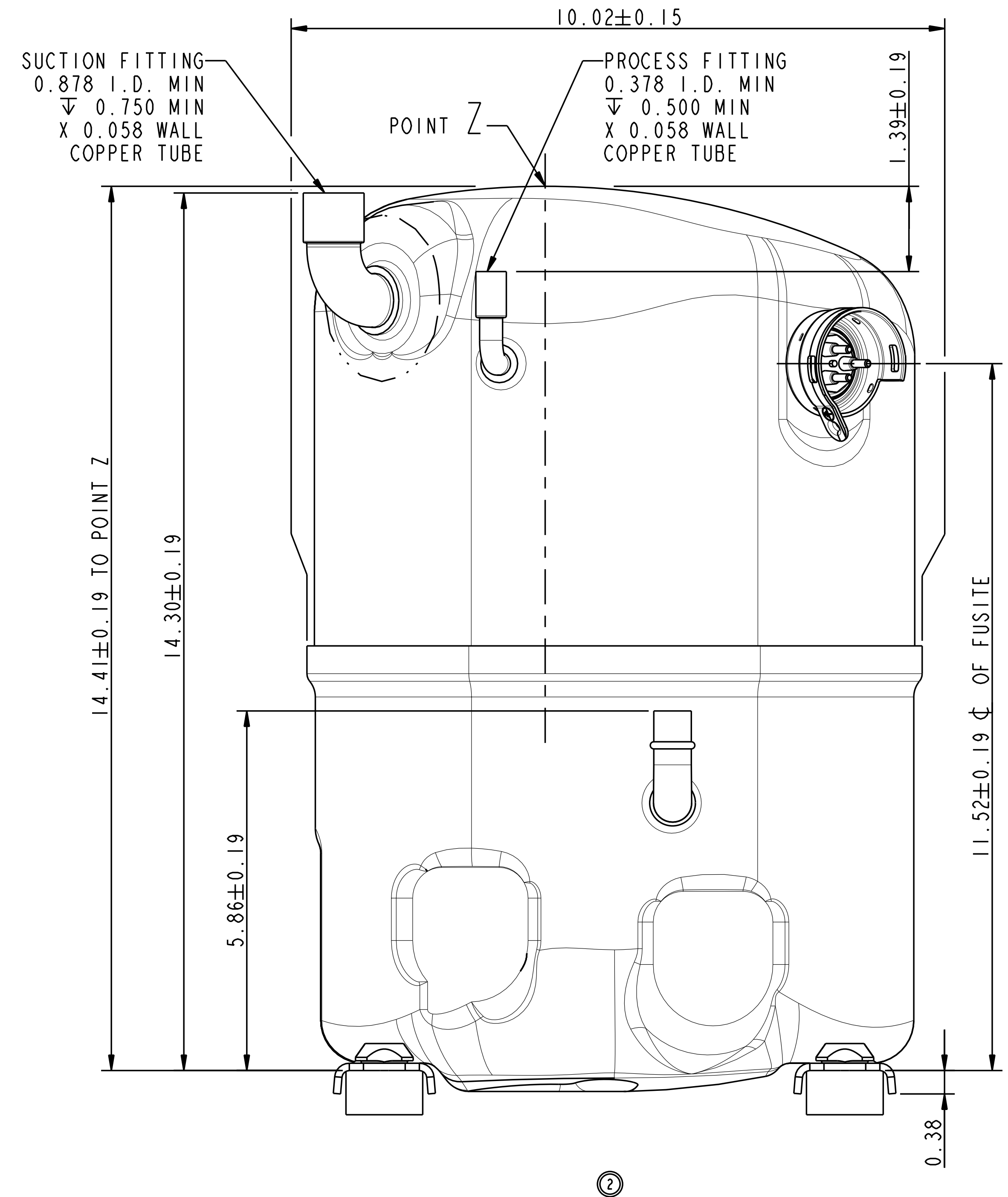
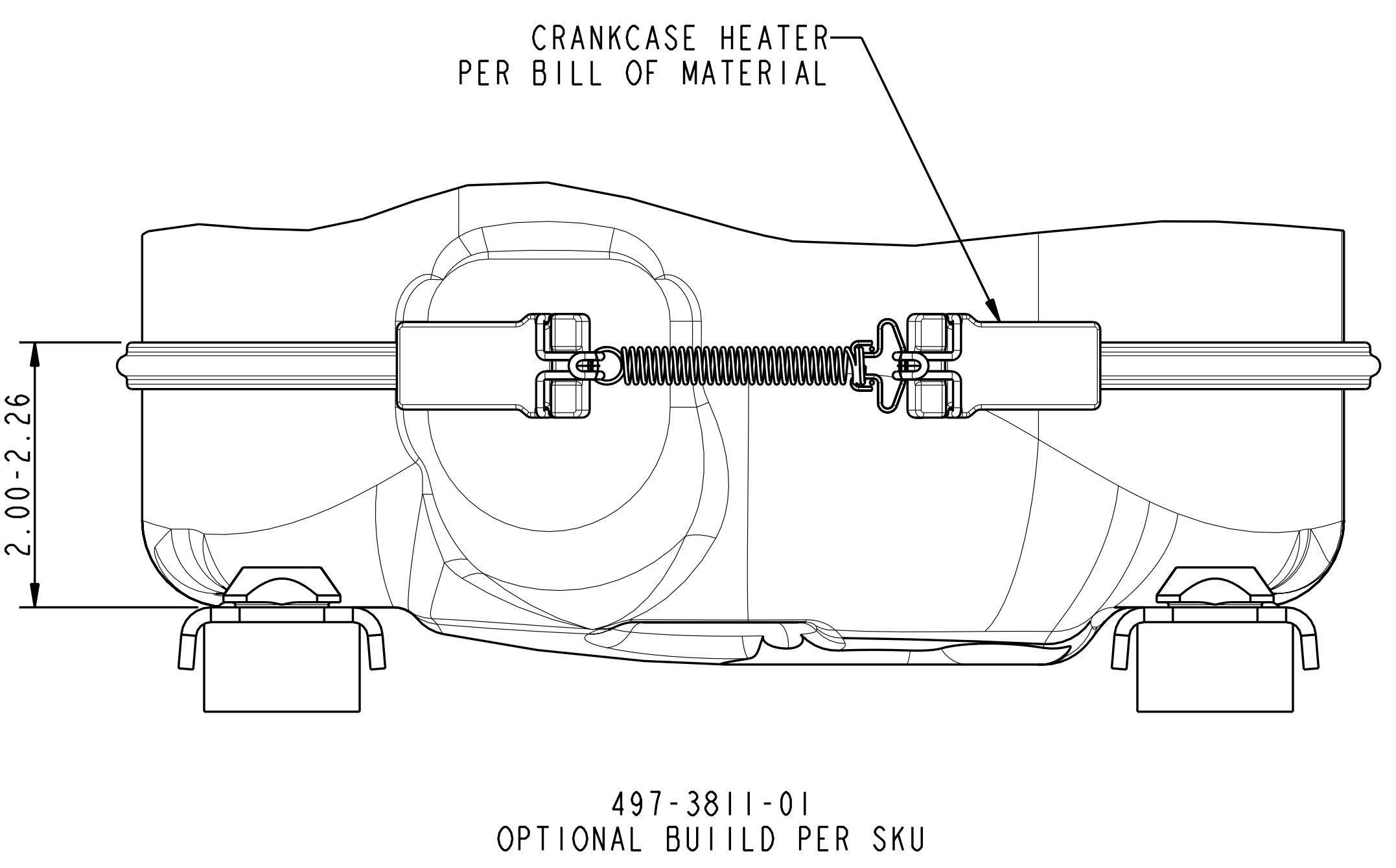
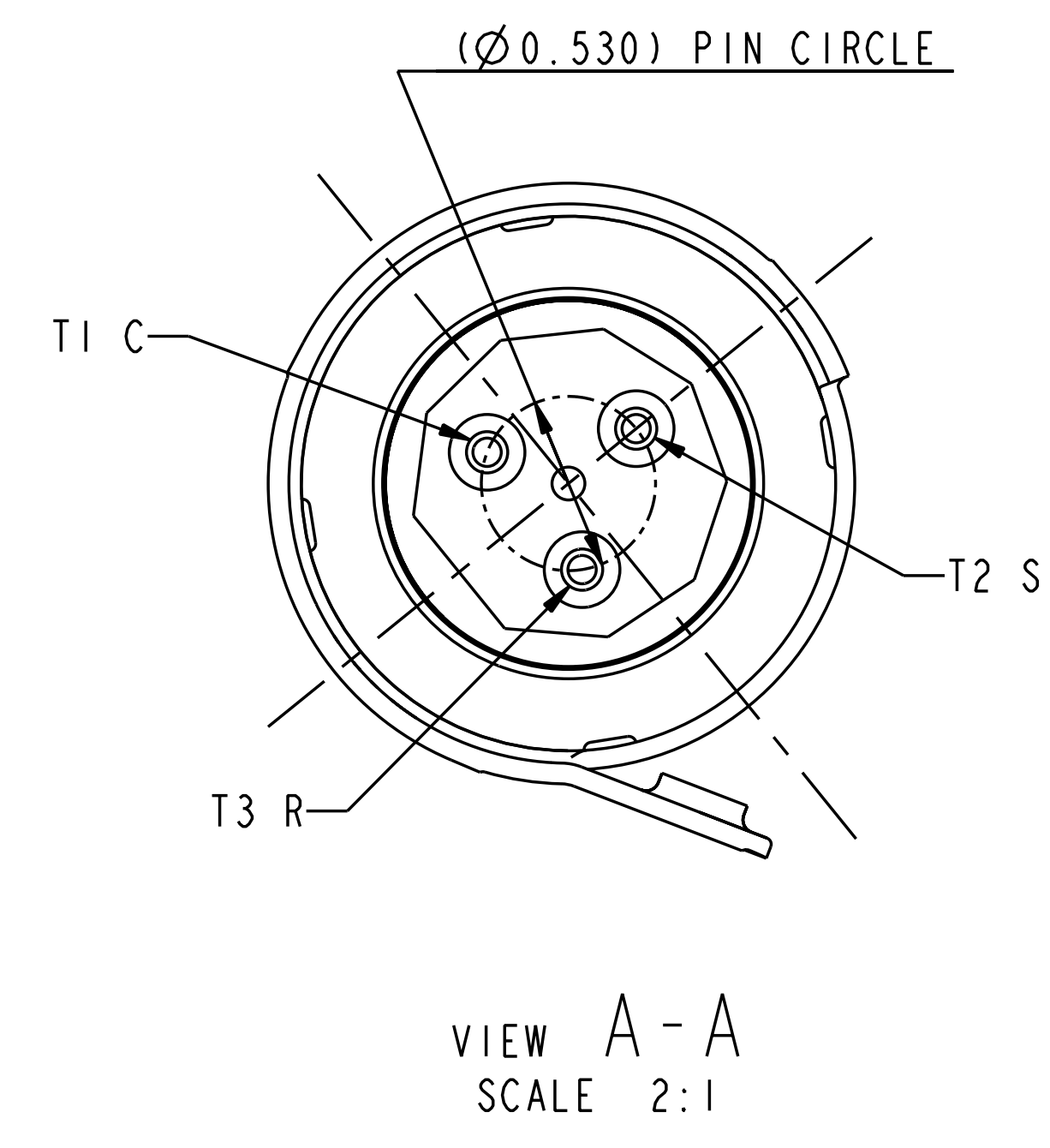
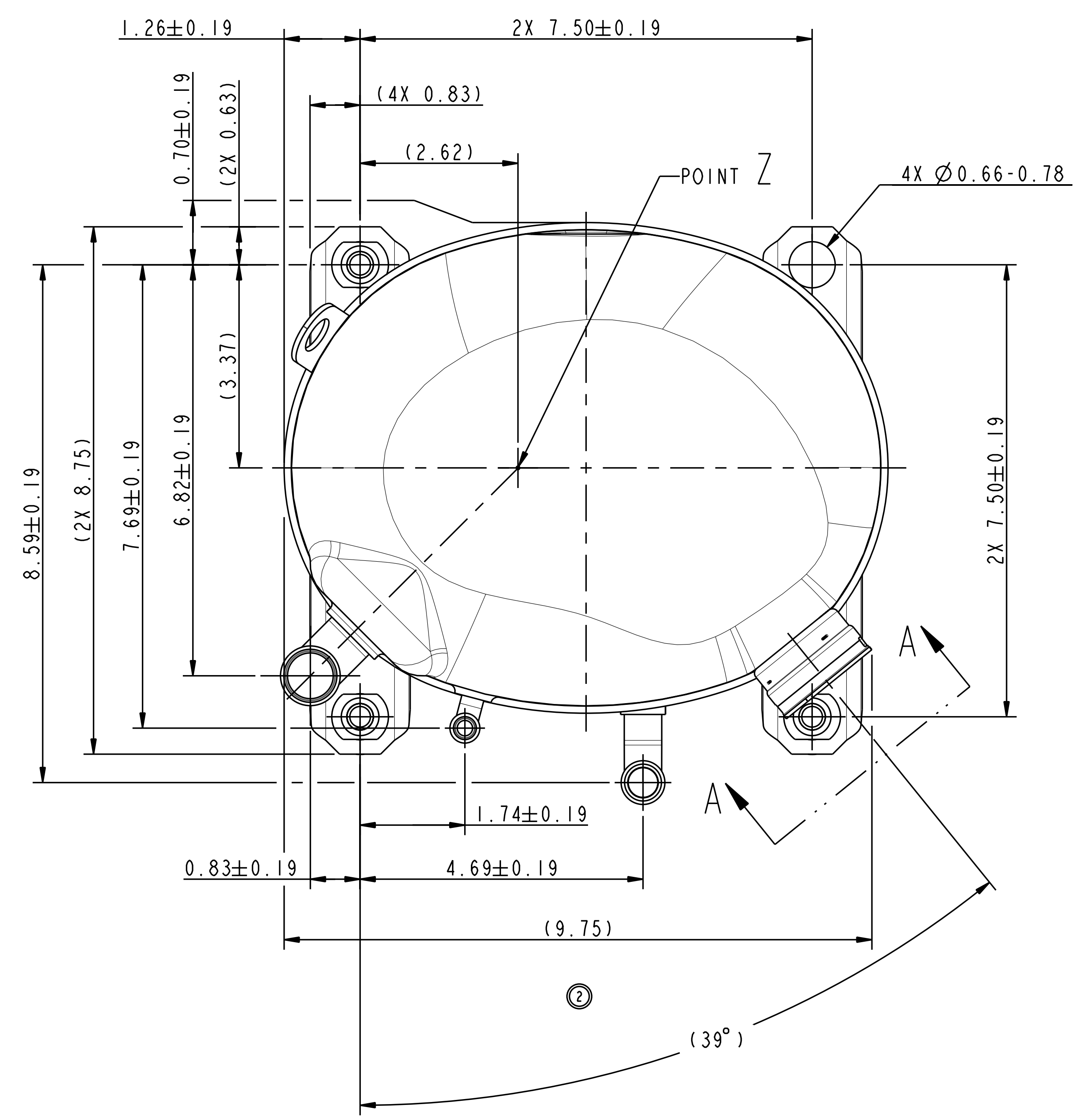


MODEL NO	-130	-170
CR53KQ-PFV	497-3811-00	497-3811-01
CR53KQ-TFD	497-3811-00	497-3811-01
CR53KQ-TFE	-	497-3811-01
CR53KQ-TF5	497-3811-00	497-3811-01
CR53KQE-PFV	-	497-3811-01
CR53KQE-TFD	497-3811-00	497-3811-01
CR53KQE-TF5	-	497-3811-01

SPECIFICATIONS	
ES NO.	DESCRIPTION
ES22-122	PACKAGING
ES81-159	CLEANLINESS
ES81-250	IDENTIFICATION
ES92-167	REGULATORY COMPLIANCE

- NOTES:
1. TOLERANCES TO BE ± 0.12 UNLESS OTHERWISE SPECIFIED.
 2. TUBE ENDS MUST BE PLUGGED.



INTERPRET PER ASME Y14.5M-1994 AND EMERSON CLIMATE TECHNOLOGIES, INC. DESIGN STANDARDS DS2002 DO NOT SCALE DRAWING THIRD ANGLE PROJECTION

UNLESS OTHERWISE SPECIFIED DIMENSIONS ARE INCH OR (MILLIMETER)

2-PLACE ± N/A
3-PLACE ± N/A
ANGULAR ± N/A

REV. NO.	DESCRIPTION	DATE	BY	CHKD	APPR
3	ADDED MODEL, CR53KQE-TFD-130	01-21-14	VSB	BAH	EJT
2	REDRAWN WITH CHANGES	09-02-11	PAS	BAH	EJT
0	RELEASED	09-30-10	KRB	BAH	BAH

3 THIS DRAWING AND INFORMATION CONTAINED HEREIN ARE THE EXCLUSIVE PROPERTY OF EMERSON CLIMATE TECHNOLOGIES, INC. AND SHALL BE RETURNED UPON DEMAND AND SHALL NOT BE REPRODUCED IN WHOLE OR IN PART, DISCLOSED TO ANYONE ELSE OR USED, WITHOUT THE WRITTEN CONSENT OF EMERSON CLIMATE TECHNOLOGIES, INC.

ENG NOTICE NO.	REV. NO.	REVISIONS	DATE	BY	CHKD	APPR

MATERIAL SPECIFICATION

DRAWN BY	SUPERSEDES DWG. NO. / REV. NO.	
PAS	- / -	
DATE	SCALE	DATE FORMAT
09-02-11	1:2	MM-DD-YY

TITLE REF DWG - WELD COMP ASSM DRAWING NUMBER SHEET 1 OF 5