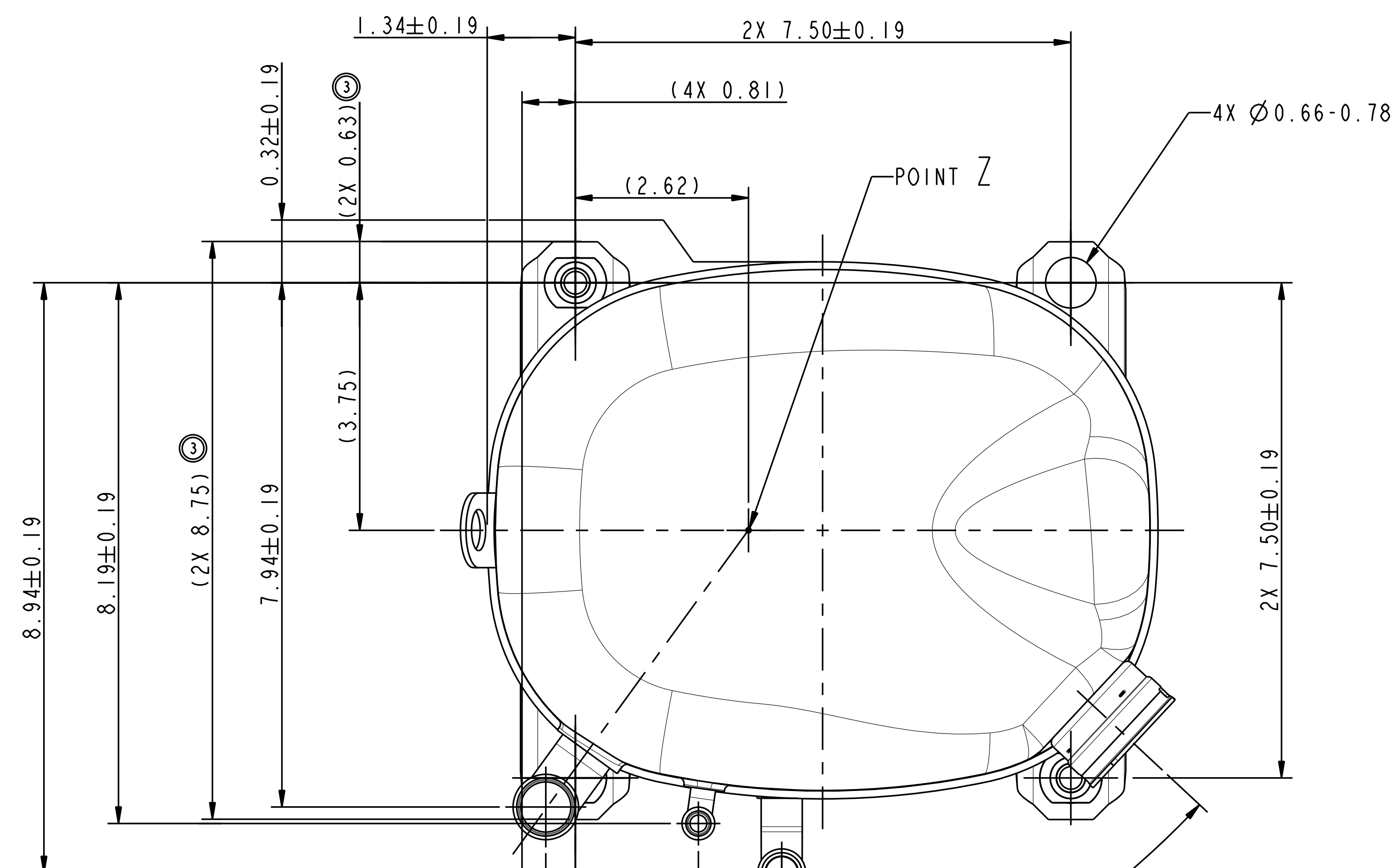


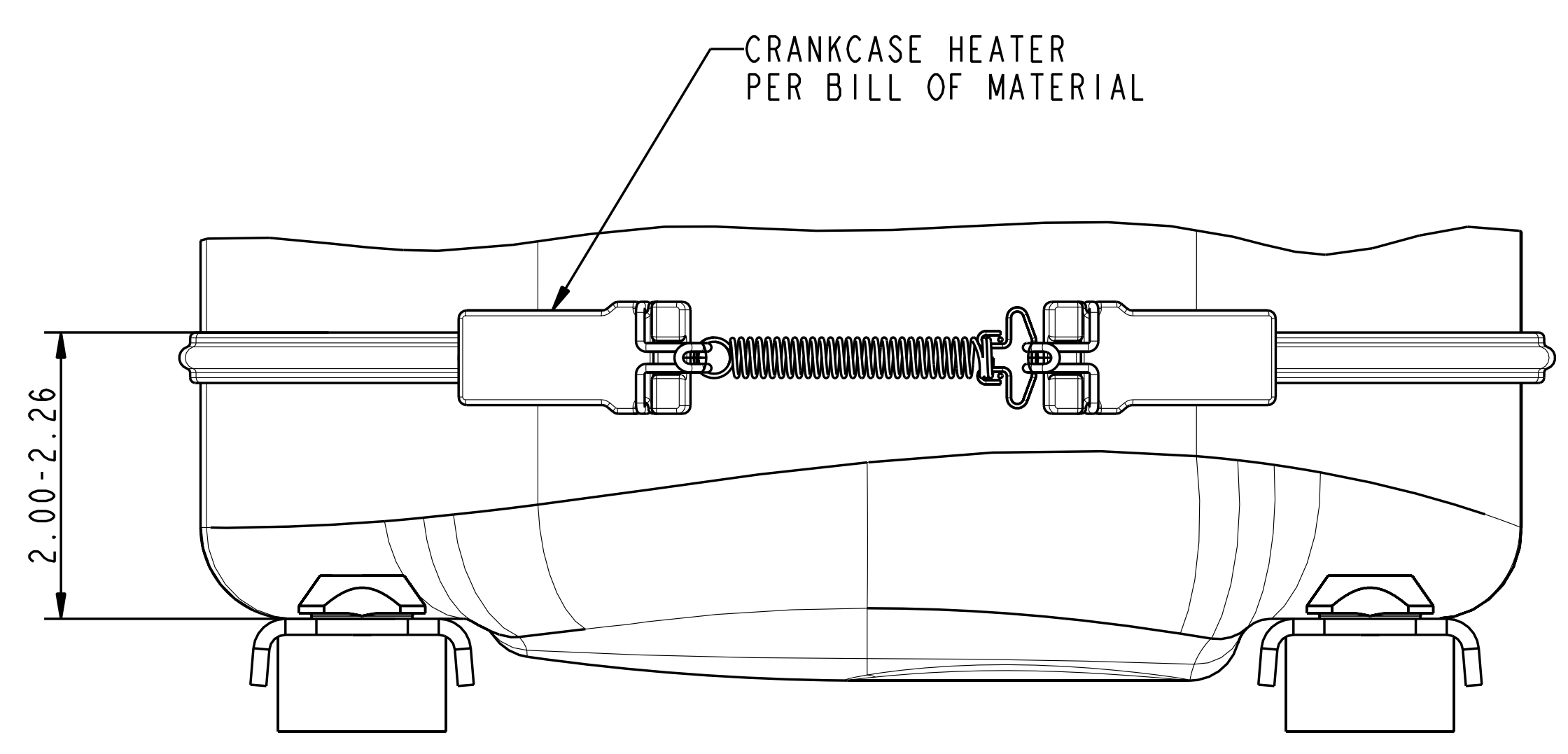
MODEL NO
CRN0-050E-PFV
CRN0-050E-TFD
CRN0-050E-TFE
CRN0-050E-TF5
CRN0-0500-PFV
CRN0-0500-TFD
CRN0-0500-TFE
CRN0-0500-TF5
CRN5-0500-PFV
CRN5-0500-TFD
CRN5-0500-TFE
CRN5-0500-TF5

SPECIFICATIONS	
ES NO.	DESCRIPTION
ES22-122	PACKAGING
ES81-159	CLEANLINESS
ES81-250	IDENTIFICATION
ES92-167	REGULATORY COMPLIANCE

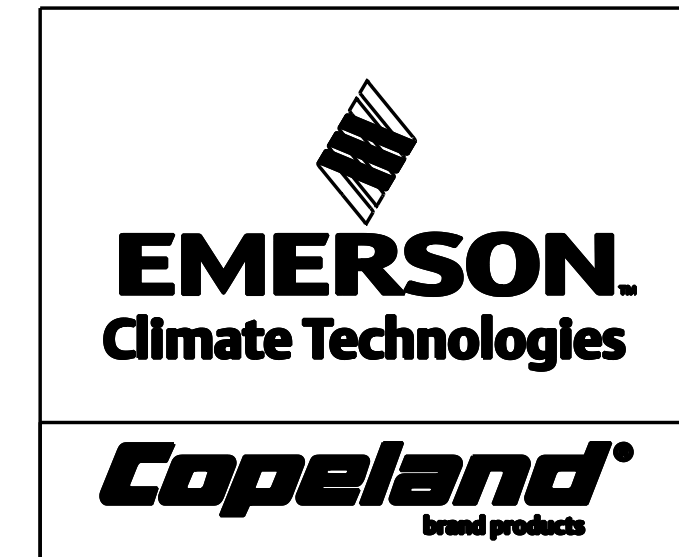
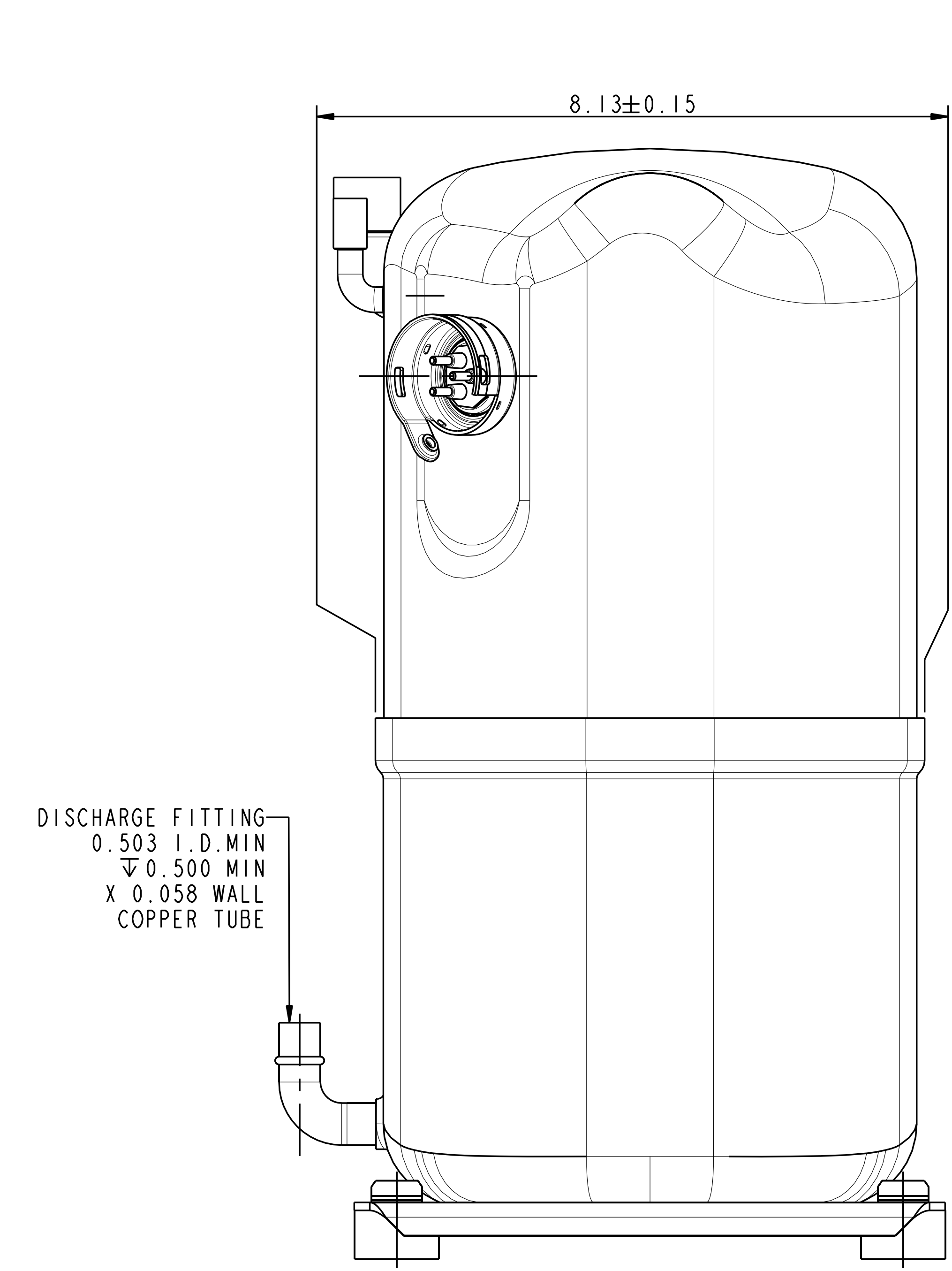
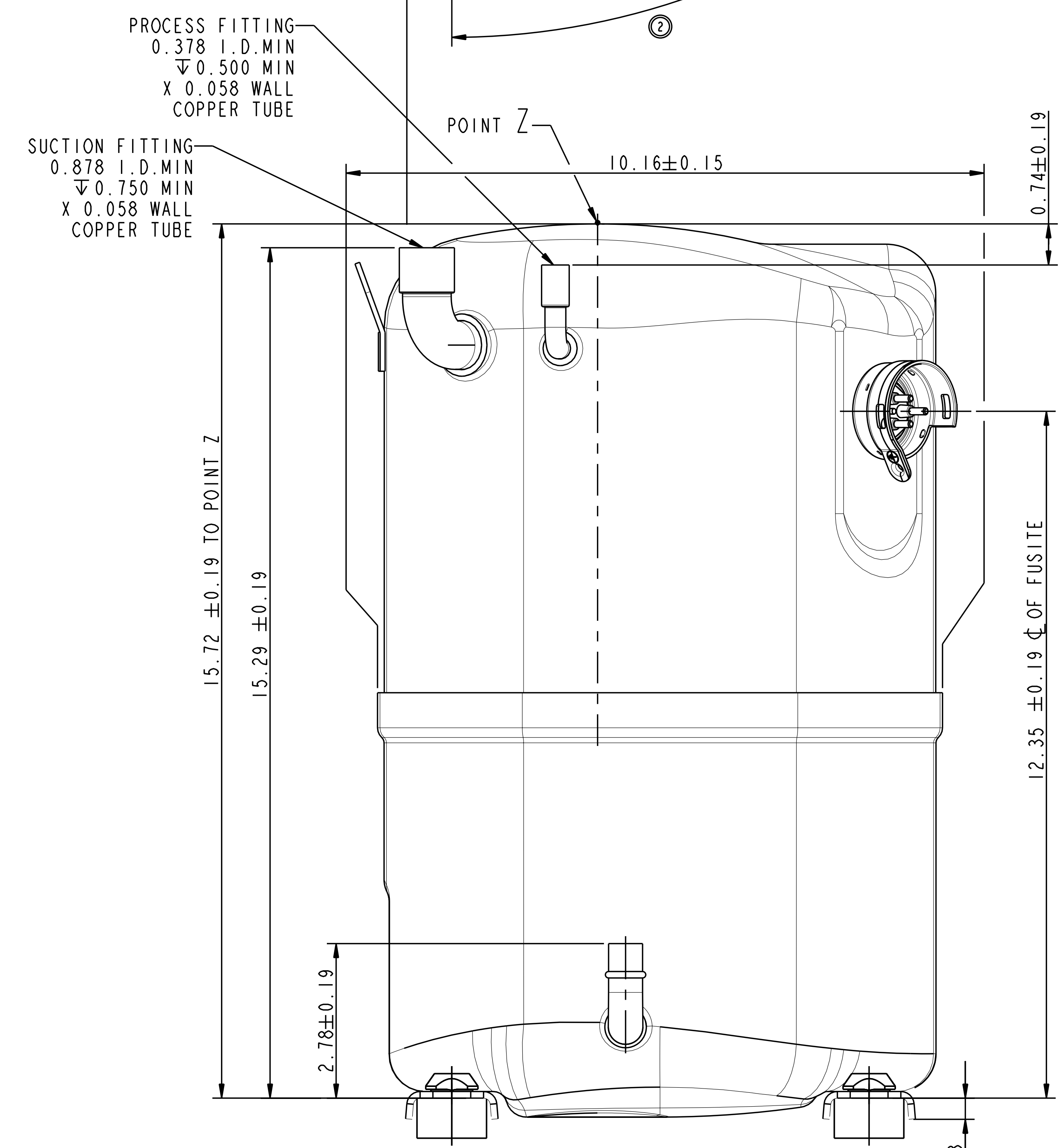


DUE TO ACCUMULATED ASSEMBLY TOLERANCES THE LISTED COMPONENTS MAY VARY FROM THE MOUNTING HOLES AS TABULATED.	
DISCHARGE TUBE	±0.125
SUCTION TUBE	±0.187
PROCESS TUBE	±0.187

- NOTES:
1. TOLERANCES TO BE ±0.12 UNLESS OTHERWISE SPECIFIED.
 2. TUBE ENDS MUST BE PLUGGED.



497-3802-01
OPTIONAL BUILD PER SKU



INTERPRET PER ASME Y14.5M-1994 AND EMERSON CLIMATE TECHNOLOGIES, INC. DESIGN STANDARDS DS2002 DO NOT SCALE DRAWING
THIRD ANGLE PROJECTION
UNLESS OTHERWISE SPECIFIED DIMENSIONS ARE INCH OR (MILLIMETER)
TOLERANCES:
2-PLACE ± N/A
3-PLACE ± N/A
ANGULAR ± N/A

ENG NOTICE NO.	REV. NO.	REVISIONS	DATE	BY	CHKD	APPR
ECN006685	3	UPDATED PRINT	11-11-13	ACL	BAH	EJT
ECN004797	2	REDRAWN WITH CHANGES	12-22-11	DB	BAH	EJT
ECN002583	0	RELEASED	08-16-10	KRB	BAH	BAH

3 THIS DRAWING AND INFORMATION CONTAINED HEREIN ARE THE EXCLUSIVE PROPERTY OF EMERSON CLIMATE TECHNOLOGIES, INC. AND SHALL BE RETURNED UPON DEMAND AND SHALL NOT BE REPRODUCED IN WHOLE OR IN PART, DISCLOSED TO ANYONE ELSE OR USED, WITHOUT THE WRITTEN CONSENT OF EMERSON CLIMATE TECHNOLOGIES, INC.

MATERIAL SPECIFICATION	DRAWN BY	SUPERSEDES DWG. NO. / REV. NO.
N/A	DB	497-3802-00 / 01
	DATE	SCALE
	12-22-11	1:2
		DATE FORMAT: MM-DD-YY

TITLE	DRAWING NUMBER	SHEET	OF	DWG SIZE
REF DWG - WELD COMP ASSM	497-3802-00	1	1	5