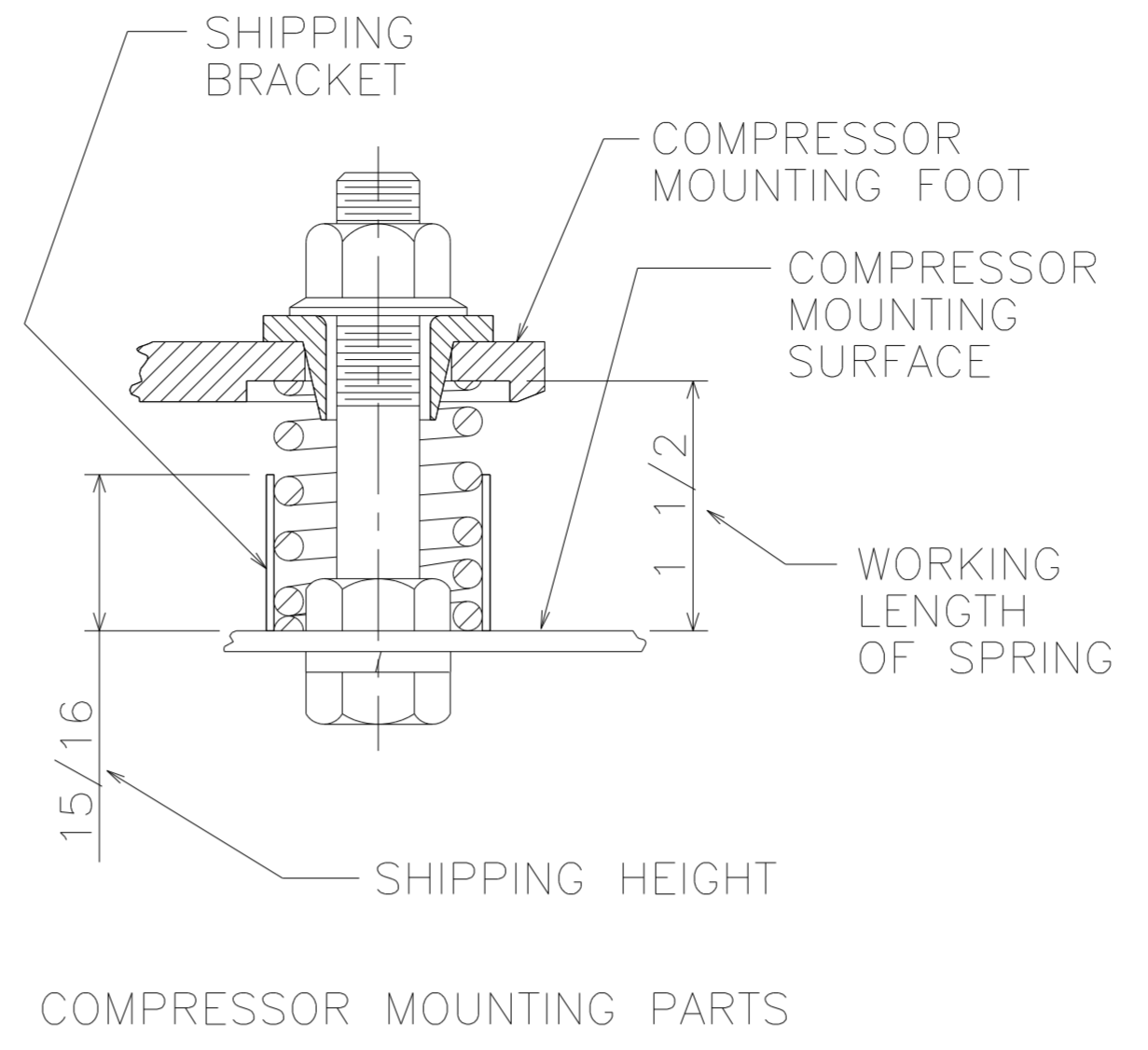
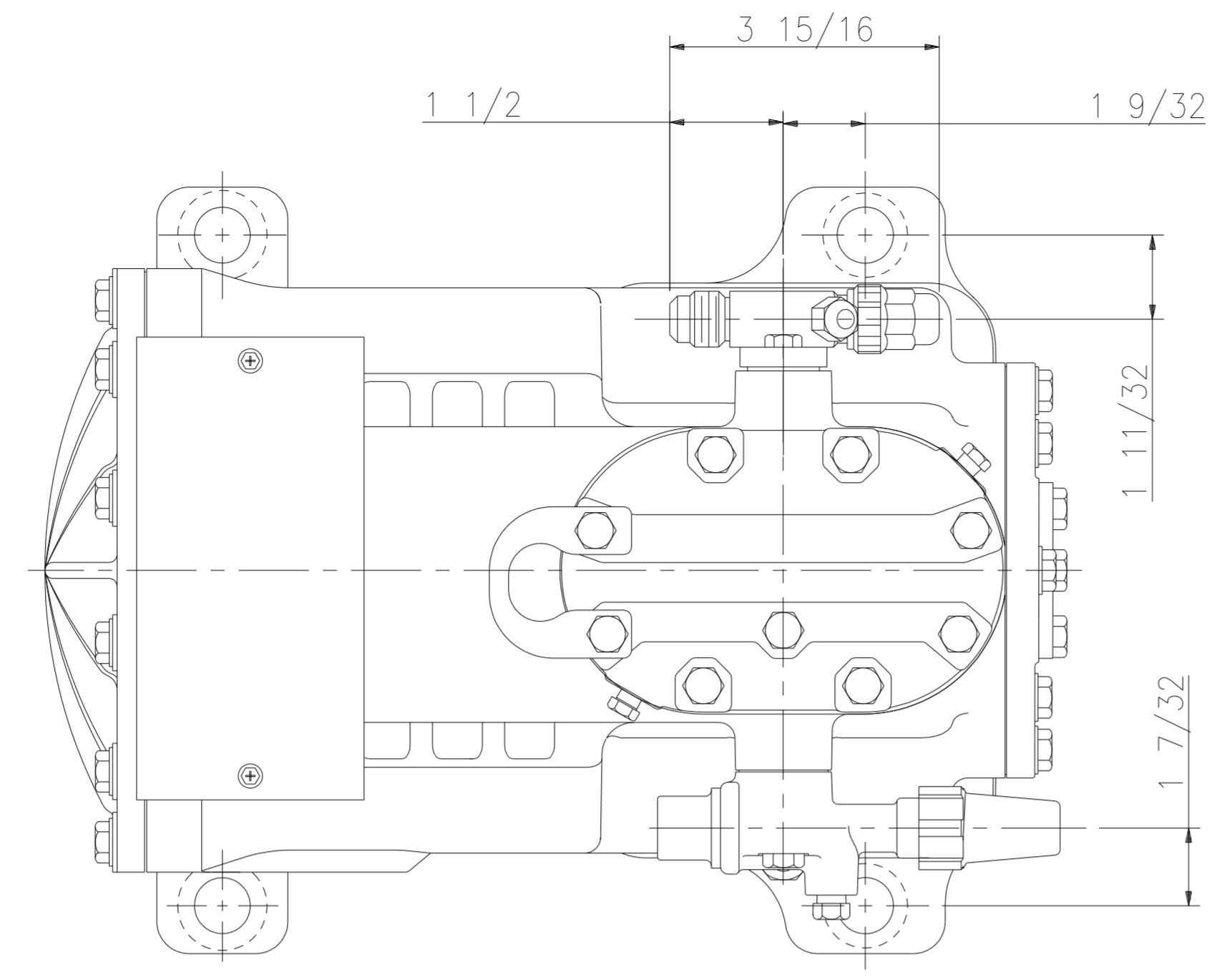
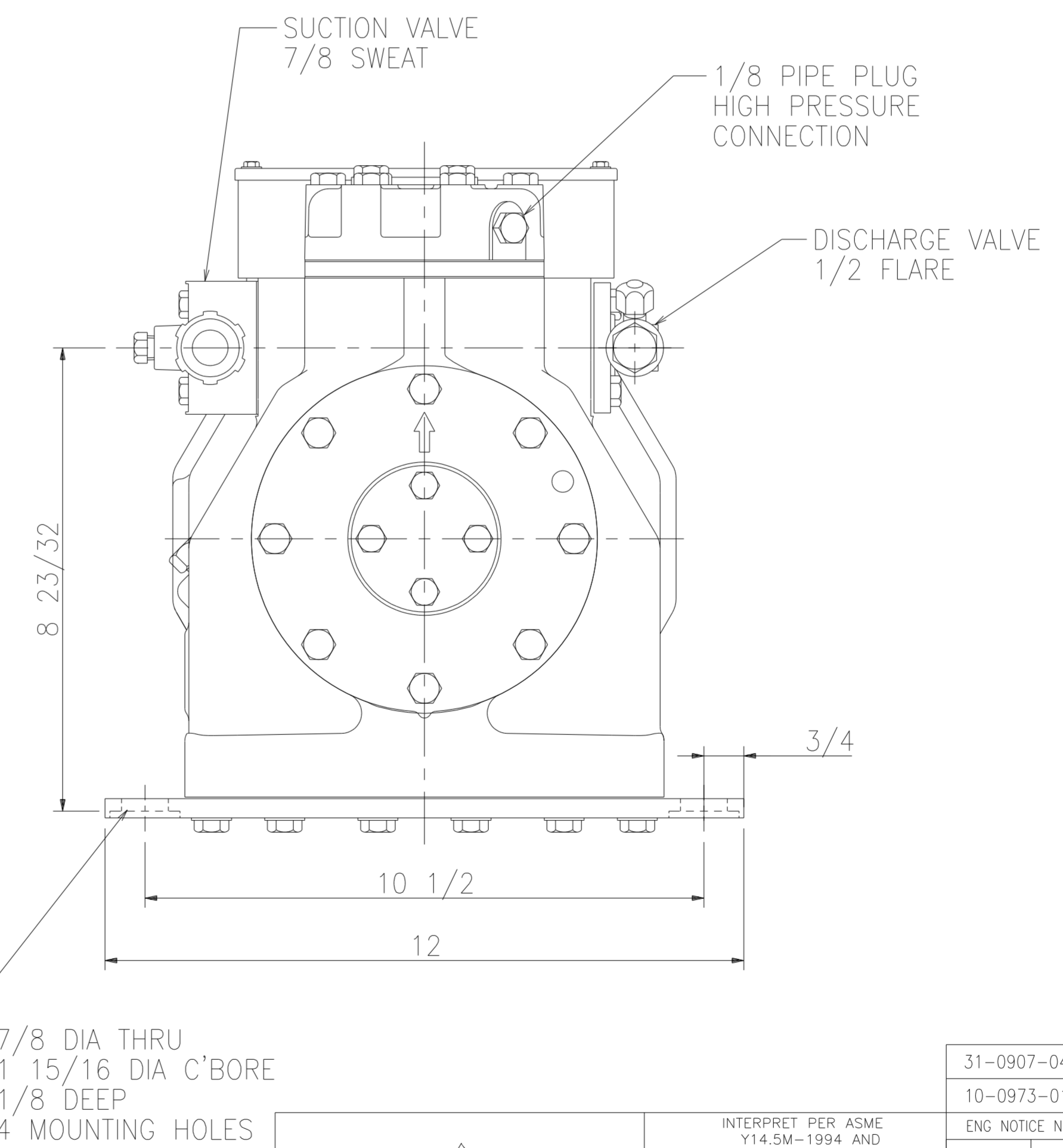
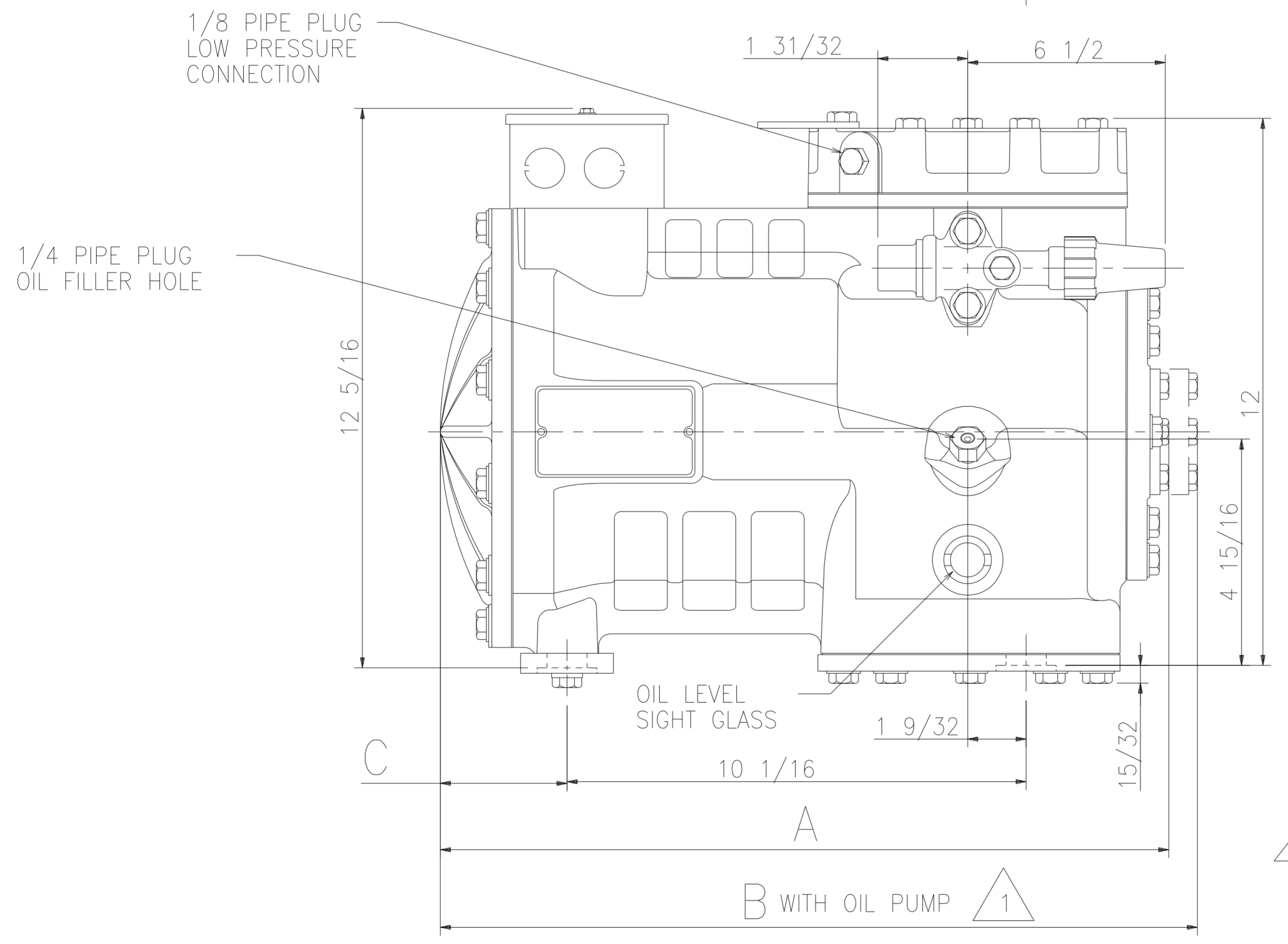


MODEL	A	B	C
EAB*-0150	16 1/16	16 11/16	2 25/32
EAC*-0150	16 1/16	16 11/16	2 25/32
EAJ*-0150	16 1/16	16 11/16	2 25/32
EAV*-0150	16 1/16	16 11/16	2 25/32
EAB*-0200	16 1/16	16 11/16	2 25/32
EAL*-0200	16 1/16	16 11/16	2 25/32
EAV*-02**	16 1/16	16 11/16	2 25/32
EAD*-0320	16 9/16	17 3/16	3 9/32
EAD*-0200	16 1/16	16 11/16	2 25/32
EEA*-0150	16 1/16	16 11/16	2 25/32
EAC*-0200	16 1/16	16 11/16	2 25/32

SPECIFICATIONS	
ES NO.	DESCRIPTION



- NOTES:
- ALL COMPRESSORS WITH OIL PUMP ARE INDICATED BY AN ALPHABETICAL CHARACTER IN THE FOURTH DIGIT.
 - ALL TOLERANCES ARE $\pm 3/32$ EXCEPT INDUSTRY STANDARDS APPLY TO FITTINGS AND VALVES.



INTERPRET PER ASME Y14.5M-1994 AND EMERSON CLIMATE TECHNOLOGIES, INC DESIGN STANDARDS_DS2002
DO NOT SCALE DRAWING
THIRD ANGLE PROJECTION

UNLESS OTHERWISE SPECIFIED DIMENSIONS ARE INCH OR (MILLIMETER)
TOLERANCES:
2-PLACE \pm
3-PLACE \pm
ANGULAR \pm

31-0907-049	15	REDRAWN; CHG FORMAT FOR PROJECT INC	11-26-07	MMB	CHK	RST
10-0973-011	0	RELEASED	09-17-73	SL		
ENG NOTICE NO.	REV.NO.	REVISIONS	DATE	BY	CHKD	APPR
CONFIDENTIALITY NOTICE						
THIS DRAWING AND INFORMATION CONTAINED HEREIN ARE THE EXCLUSIVE PROPERTY OF EMERSON CLIMATE TECHNOLOGIES, INC. AND SHALL BE RETURNED UPON DEMAND AND SHALL NOT BE REPRODUCED IN WHOLE OR IN PART TO ANYONE ELSE OR USED, WITHOUT THE WRITTEN CONSENT OF EMERSON CLIMATE TECHNOLOGIES, INC.						
MATERIAL SPECIFICATION		DRAWN BY	SUPERSEDES DWG. NO. / REV. NO.			
N/A		MMB	497-0029-00 / 14			
		DATE	SCALE	DATE FORMAT:		
		11-26-07	1:2	MM-DD-YY		
TITLE			DRAWING NUMBER SHEET 1 OF 1			
REF DWG-COPE COMP ASSM			497-0029-00			
			DWG SIZE			
			4			

UNCONTROLLED COPY - DO NOT MODIFY

COPYRIGHT EMERSON CLIMATE TECHNOLOGIES, INC. - CONFIDENTIAL