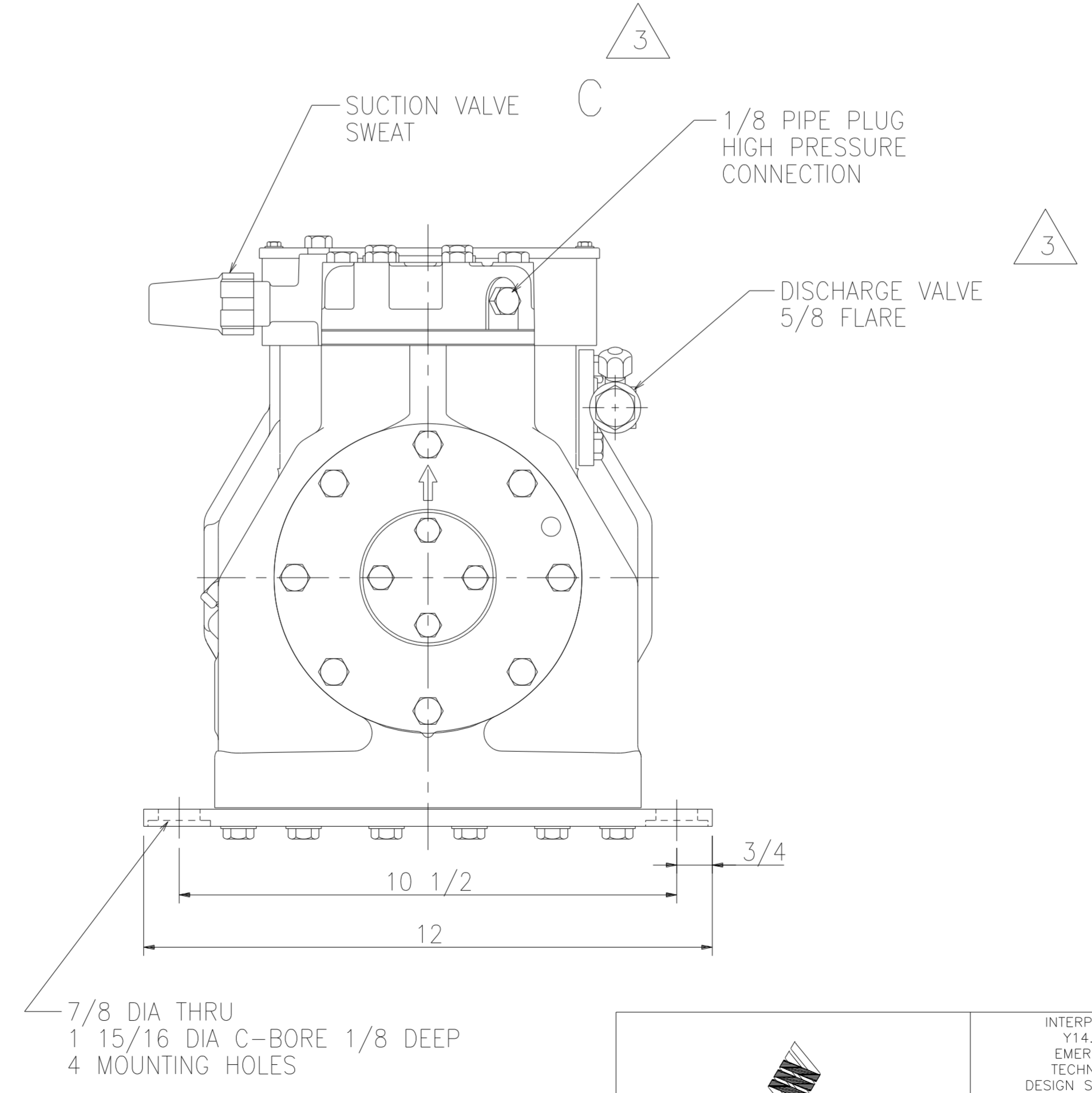
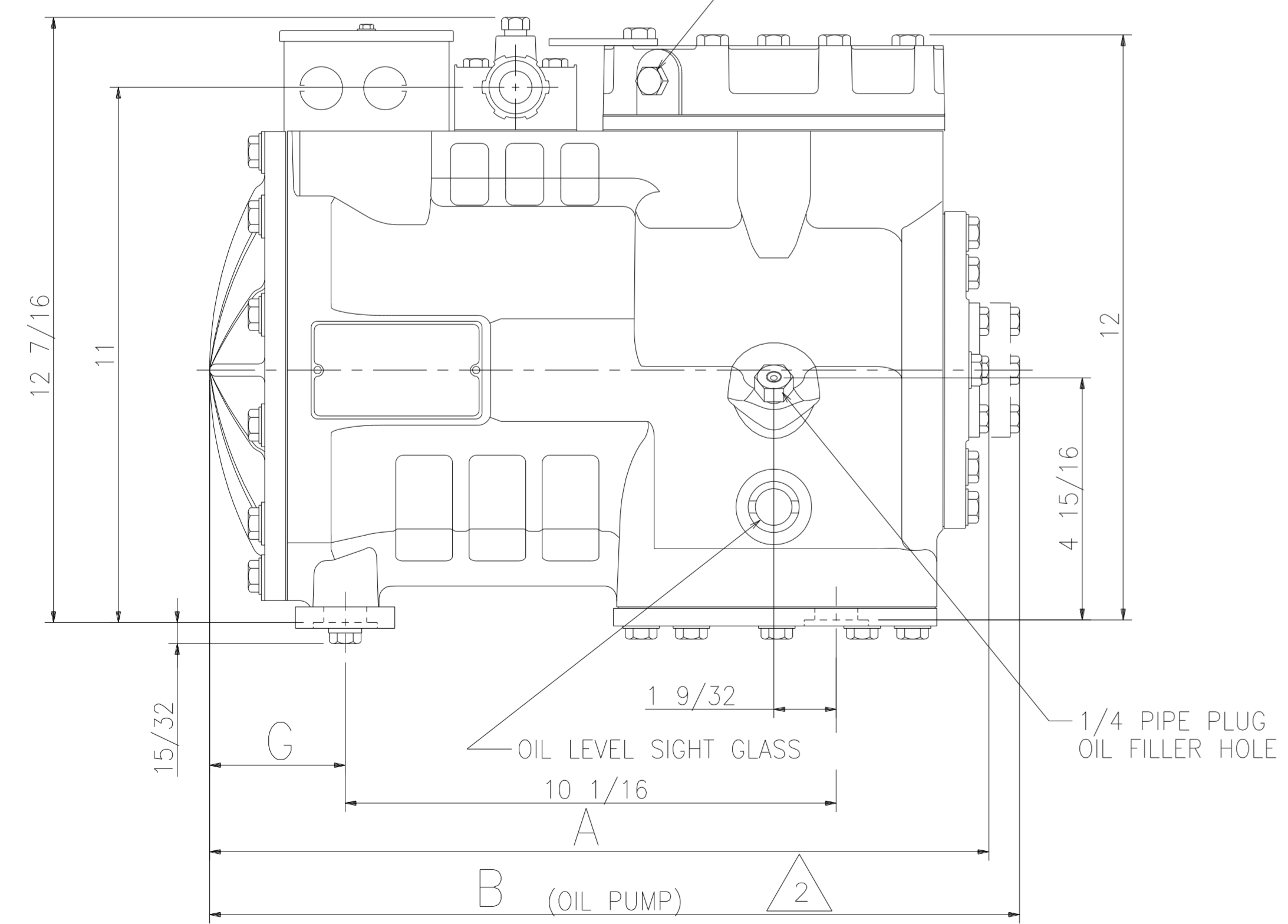
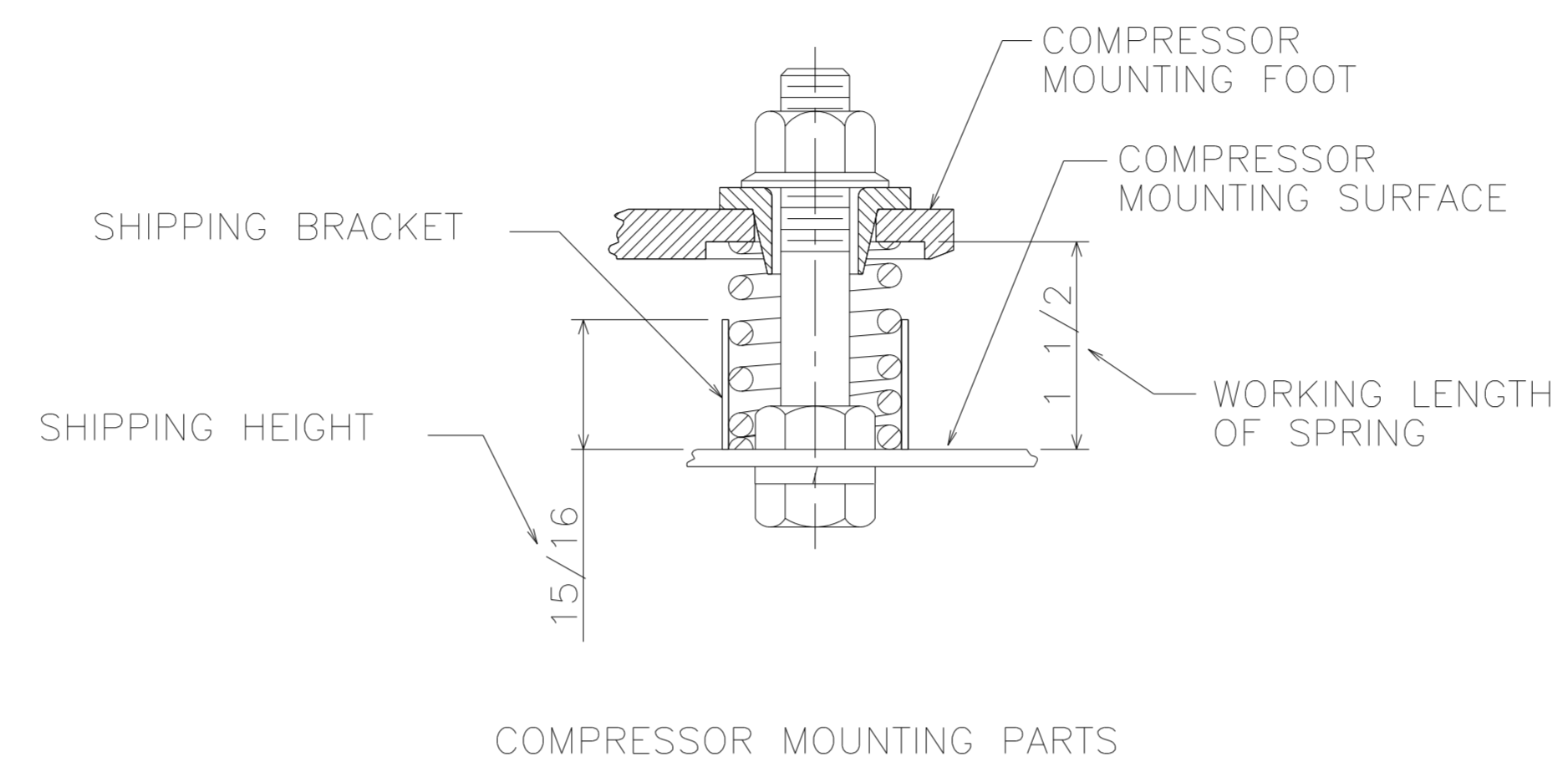
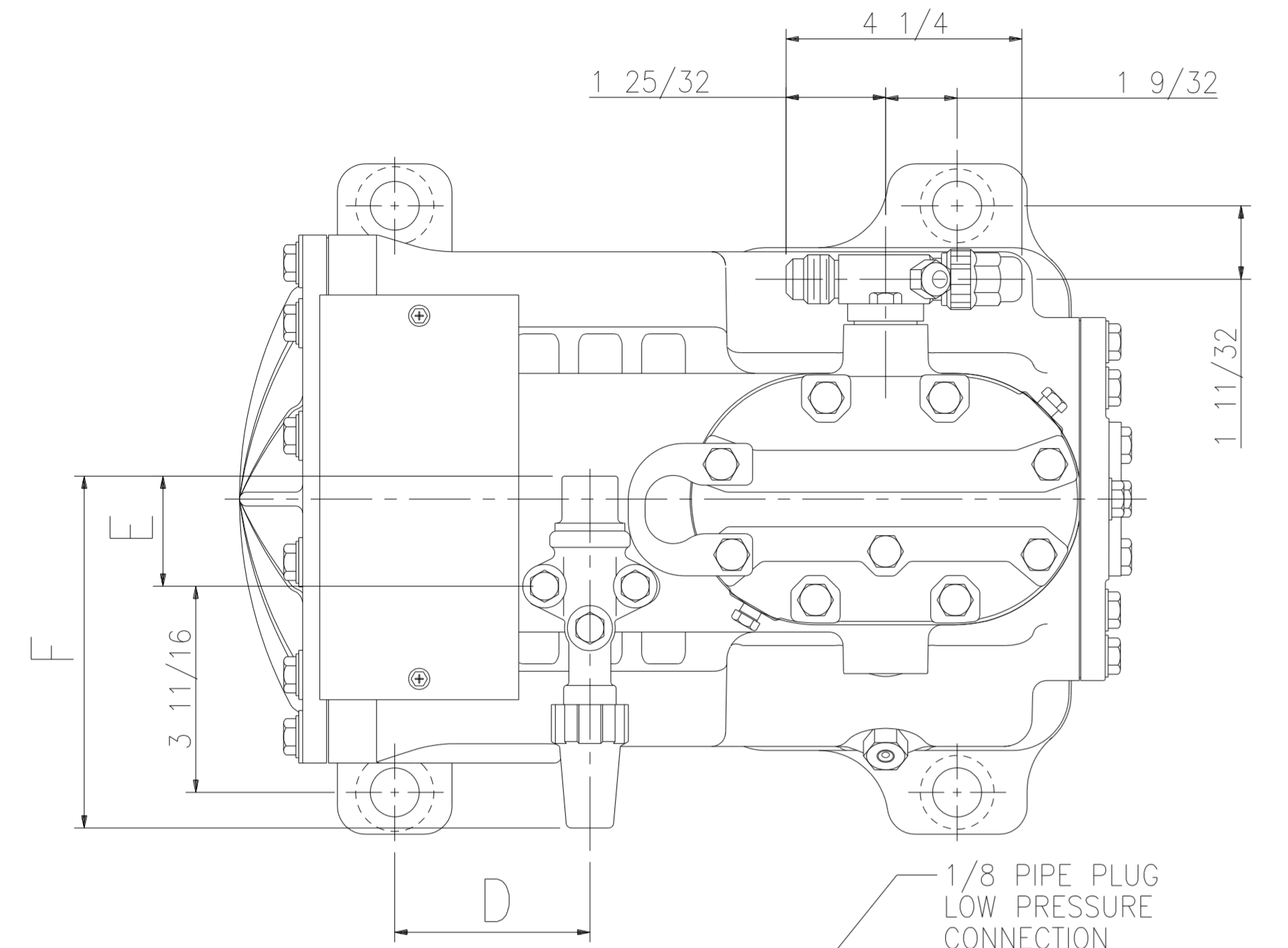


MODEL <sup>2</sup>	A	B	C	D	E	F	G
ERA*-0200	16 1/16	16 11/16	7/8	3 1/2	1 31/32	6 1/2	2 25/32
ERC*-02**	16 1/16	16 11/16	7/8	3 1/2	1 31/32	6 1/2	2 25/32
ERJ*-0200	16 1/16	16 11/16	7/8	3 1/2	1 31/32	6 1/2	2 25/32
ERF*-03**	17 1/16	17 11/16	1 1/8	2 1/2	2 1/16	6 5/8	3 25/32

SPECIFICATIONS	
ES NO.	DESCRIPTION



- NOTES:
- ALL TOLERANCES ARE  $\pm 3/32$  EXCEPT INDUSTRY STANDARDS APPLY TO FITTINGS AND VALVES.
  - ALL COMPRESSORS WITH OIL PUMP ARE INDICATED BY AN ALPHABETICAL CHARACTER IN THE FOURTH DIGIT.
  - VALVE DIRECTION CAN BE STEM IN OR OUT.

31-0907-049	14	REDRAWN; CHG FORMAT FOR PROJECT INC	11-22-07	MMB	CHK	RST
10-0873-007	0	RELEASED	08-31-73	DG		
ENG NOTICE NO.	REV.NO.	REVISIONS	DATE	BY	CHKD	APPR
<b>CONFIDENTIALITY NOTICE</b>						
THIS DRAWING AND INFORMATION CONTAINED HEREIN ARE THE EXCLUSIVE PROPERTY OF EMERSON CLIMATE TECHNOLOGIES, INC. AND SHALL BE RETURNED UPON DEMAND AND SHALL NOT BE REPRODUCED IN WHOLE OR IN PART TO ANYONE ELSE OR USED, WITHOUT THE WRITTEN CONSENT OF EMERSON CLIMATE TECHNOLOGIES, INC.						
MATERIAL SPECIFICATION		DRAWN BY		SUPERSEDES DWG. NO. / REV. NO.		
N/A		MMB		497-0027-00 / 13		
		DATE		SCALE		DATE FORMAT:
		11-22-07		3:7		MM-DD-YY
TITLE			DRAWING NUMBER SHEET 1 OF 1			
REF DWG-COPE COMP ASSM			497-0027-00			
						DWG SIZE
						4

**EMERSON**  
Climate Technologies

**Copeland**  
brand products

INTERPRET PER ASME Y14.5M-1994 AND EMERSON CLIMATE TECHNOLOGIES, INC. DESIGN STANDARDS\_DS2002  
DO NOT SCALE DRAWING

THIRD ANGLE PROJECTION

UNLESS OTHERWISE SPECIFIED DIMENSIONS ARE INCH OR [MILLIMETER]

TOLERANCES:  
2-PLACE  $\pm$   
3-PLACE  $\pm$   
ANGULAR  $\pm$