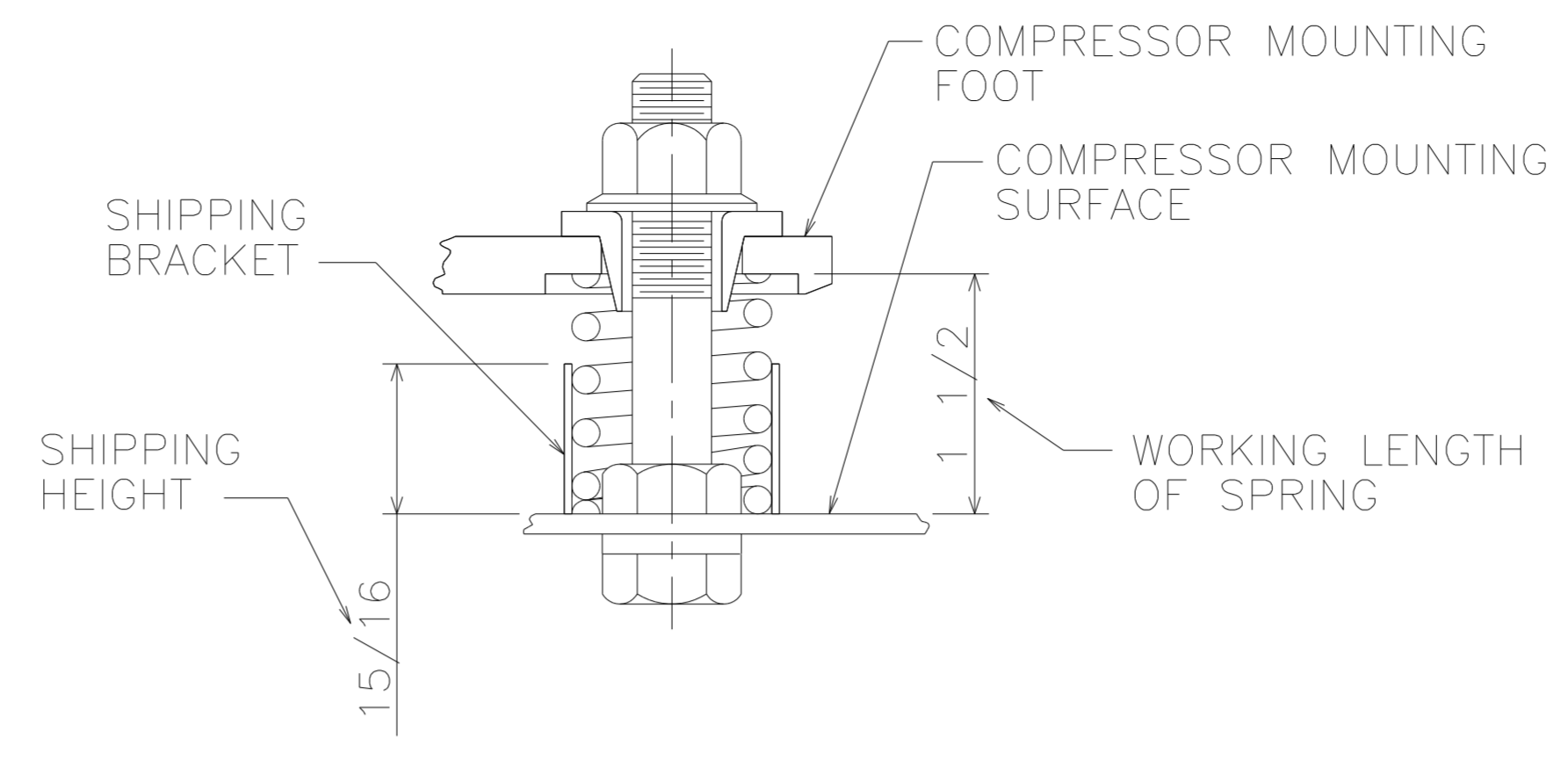
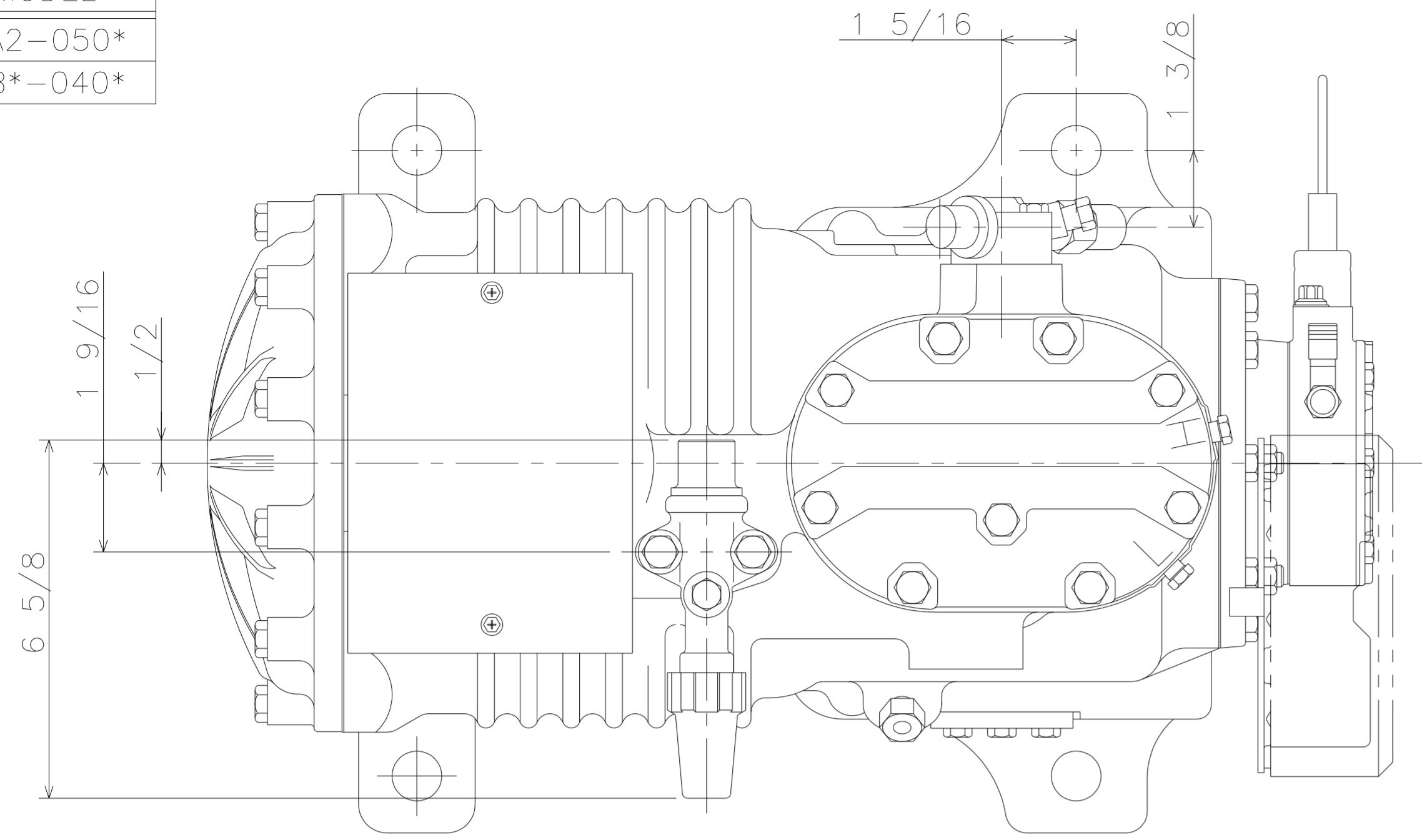


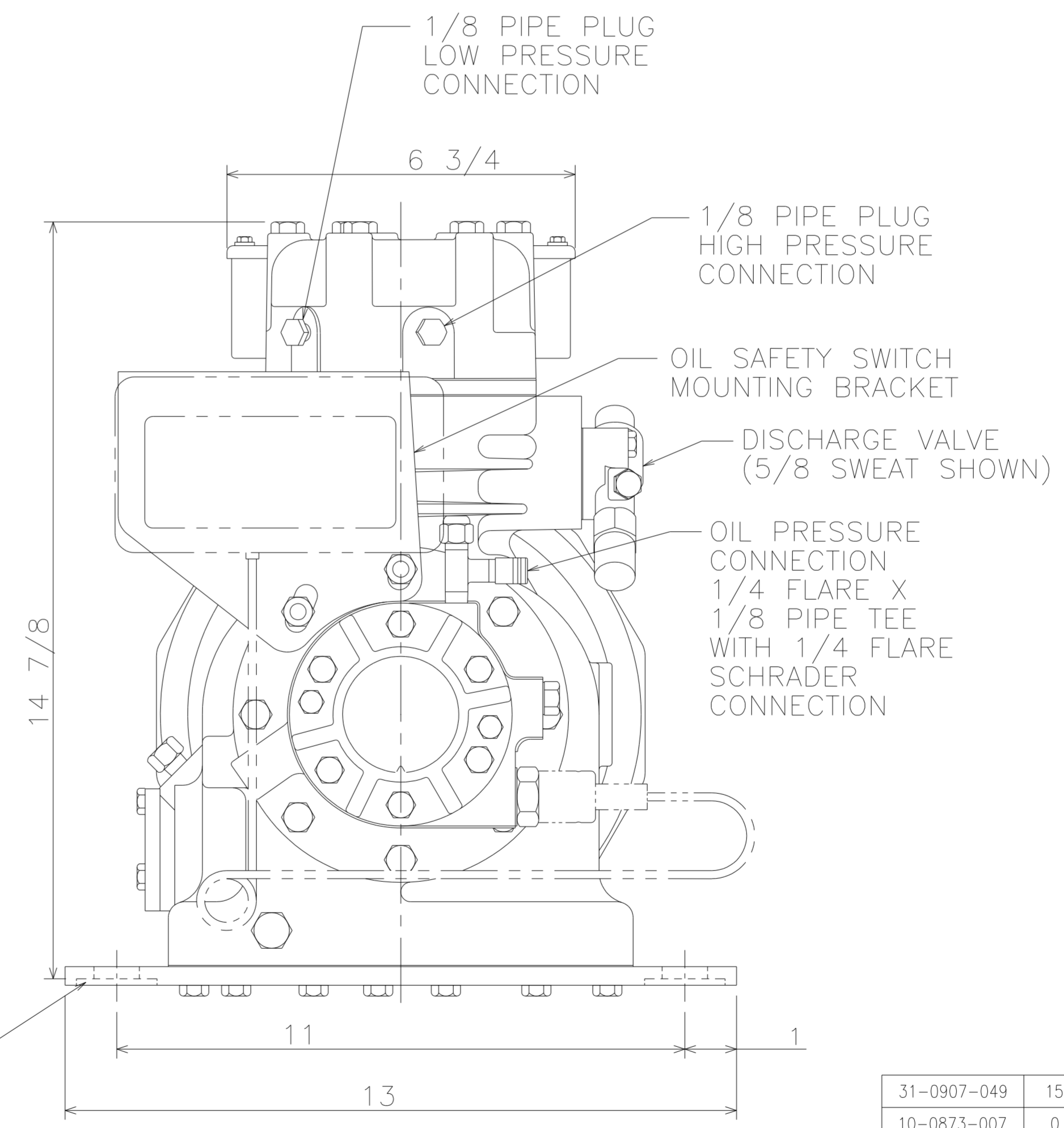
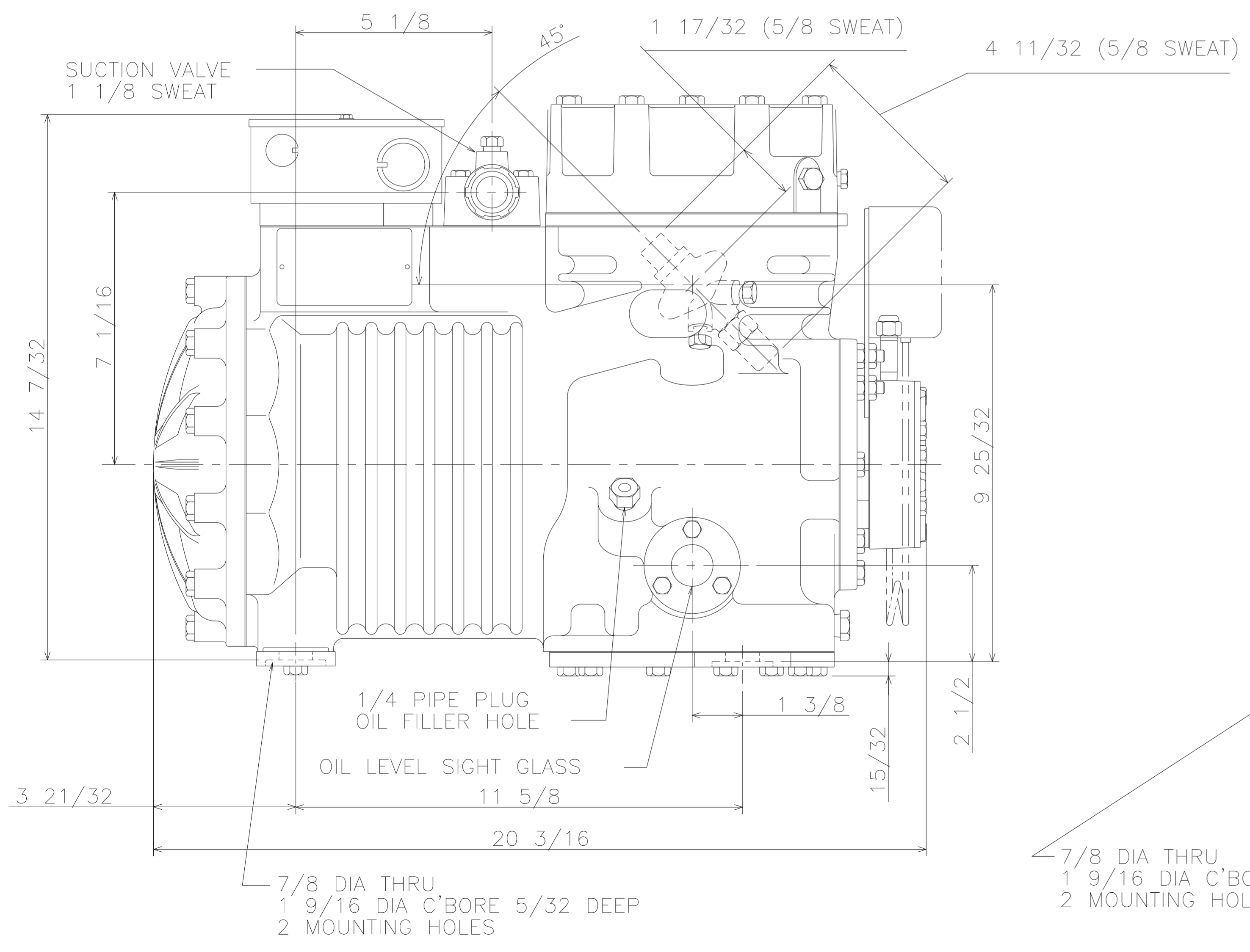
MODEL
NRA2-050*
NRB*-040*

SPECIFICATIONS	
ES NO.	DESCRIPTION



NOTE:
 1 ALL TOLERANCES ARE $\pm 3/32$ EXCEPT INDUSTRY STANDARDS APPLY TO FITTINGS AND VALVES.

COMPRESSOR MOUNTING PARTS



7/8 DIA THRU
 1 9/16 DIA C'BORE 1/8 DEEP
 2 MOUNTING HOLES



INTERPRET PER ASME Y14.5M-1994 AND EMERSON CLIMATE TECHNOLOGIES, INC DESIGN STANDARDS_DS2002
 DO NOT SCALE DRAWING
 THIRD ANGLE PROJECTION
 UNLESS OTHERWISE SPECIFIED DIMENSIONS ARE INCH OR [MILLIMETER]
 TOLERANCES:
 2-PLACE \pm
 3-PLACE \pm
 ANGULAR \pm

31-0907-049	15	REDRAWN; CHG FORMAT FOR PROJECT INC	11-22-07	MMB	CHK	RST
10-0873-007	0	RELEASED	08-31-73	DG		
ENG NOTICE NO.	REV.NO.	REVISIONS	DATE	BY	CHKD	APPR
8		CONFIDENTIALITY NOTICE THIS DRAWING AND INFORMATION CONTAINED HEREIN ARE THE EXCLUSIVE PROPERTY OF EMERSON CLIMATE TECHNOLOGIES, INC. AND SHALL BE RETURNED UPON DEMAND AND SHALL NOT BE REPRODUCED IN WHOLE OR IN PART TO ANYONE ELSE OR USED, WITHOUT THE WRITTEN CONSENT OF EMERSON CLIMATE TECHNOLOGIES, INC.				
MATERIAL SPECIFICATION		DRAWN BY		SUPERSEDES DWG. NO. / REV. NO.		
N/A		MMB		497-0017-00 / 14		
		DATE		SCALE		DATE FORMAT:
		11-22-07		1:2		MM-DD-YY
TITLE			DRAWING NUMBER SHEET 1 OF 1			
REF DWG-COPE COMP ASSM			497-0017-00			
						DWG SIZE
						4

UNCONTROLLED COPY - DO NOT MODIFY

COPYRIGHT EMERSON CLIMATE TECHNOLOGIES, INC. - CONFIDENTIAL