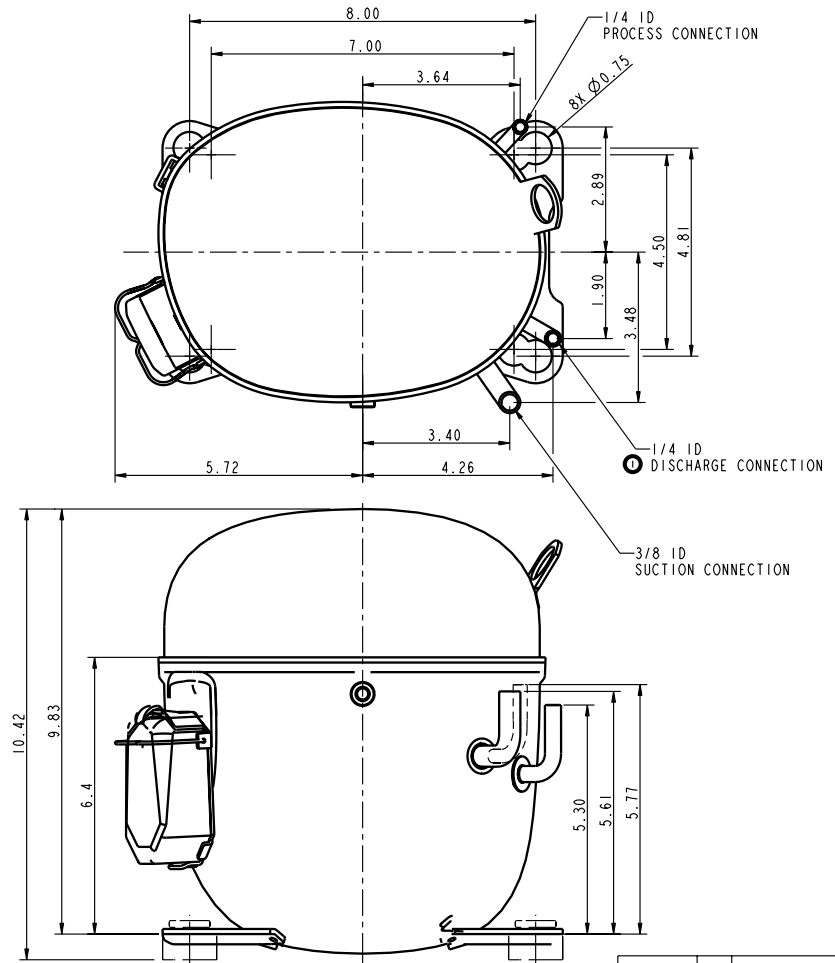
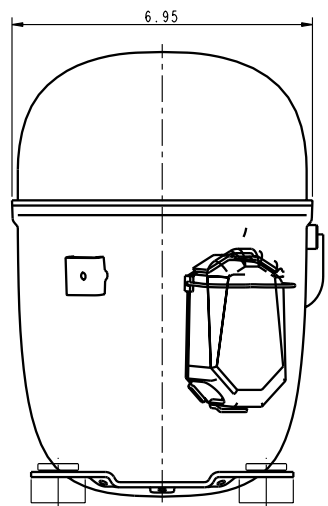


MODEL
RFT18C1E-PFA
RFT42C1E-PFA
RFT42C1E-PFV
RFT42C1E-PFZ



ECN004227	2	ADDED MODEL RFT18C1E-PFA	08-01-11	VBC	DC
ECN003088	1	DISCHARGE CONNECTION ID WAS: 3/8	11-10-10	VSK	WF
34-0210-020	0	RELEASED	03-11-10	KG	BP

ENG NOTICE NO.	REV. NO.	REVISIONS	DATE	BY	CHKD	APPD
20		THIS DRAWING AND INFORMATION CONTAINED HEREIN ARE THE EXCLUSIVE PROPERTY OF EMERSON CLIMATE TECHNOLOGIES, INC. AND SHALL BE RETURNED UPON DEMAND AND SHALL NOT BE REPRODUCED IN WHOLE OR IN PART DISCLOSED TO ANYONE ELSE OR USED, WITHOUT THE WRITTEN CONSENT OF EMERSON CLIMATE TECHNOLOGIES, INC.				

MATERIAL SPECIFICATION	DRAWN BY	SUPERSEDES DWG. NO. / REV. NO.
	KG	
	DATE	SCALE
	03-11-10	3:4
TITLE	DATE FORMAT:	
REF DWG-WELD COMP ASSM	MM-DD-YY	
	DRAWING NUMBER	SHEET 1 OF 1
	497-2855-02	4

**EMERSON**  
Climate Technologies

**Copeland**

INTERPRET PER ASME  
Y14.5M-1994 AND  
EMERSON CLIMATE  
TECHNOLOGIES, INC.  
DESIGN STANDARDS\_DS2002  
DO NOT SCALE DRAWING

THIRD ANGLE PROJECTION

UNLESS OTHERWISE SPECIFIED  
DIMENSIONS ARE INCH OR SMALL INCHES

TOLERANCES:  
2-PLACE ± .004  
3-PLACE ± .003  
ANGULAR ± .004

COPYRIGHT EMERSON CLIMATE TECHNOLOGIES, INC. - CONFIDENTIAL

UNCONTROLLED - DO NOT MODIFY