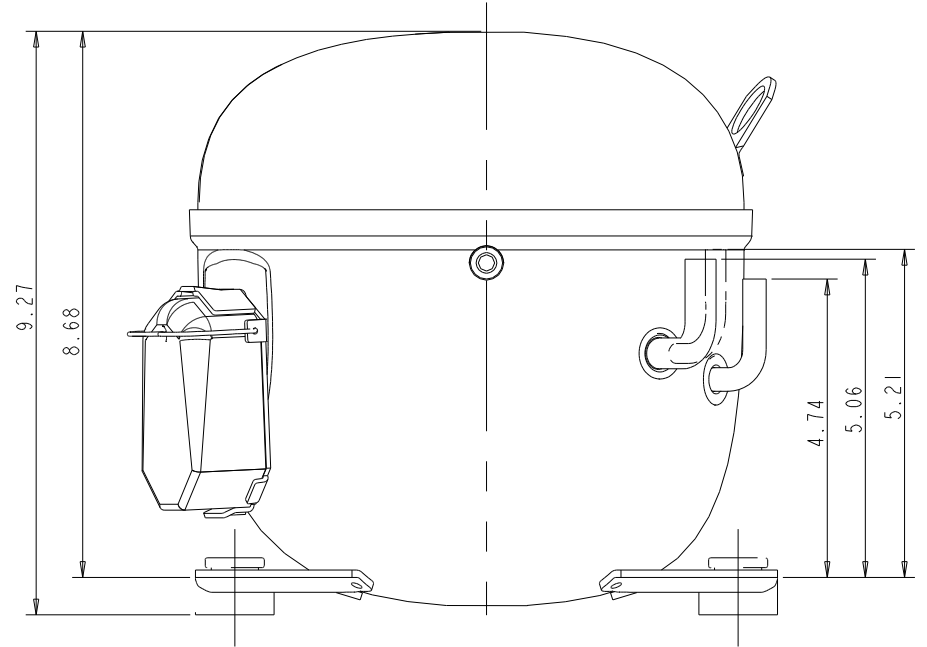
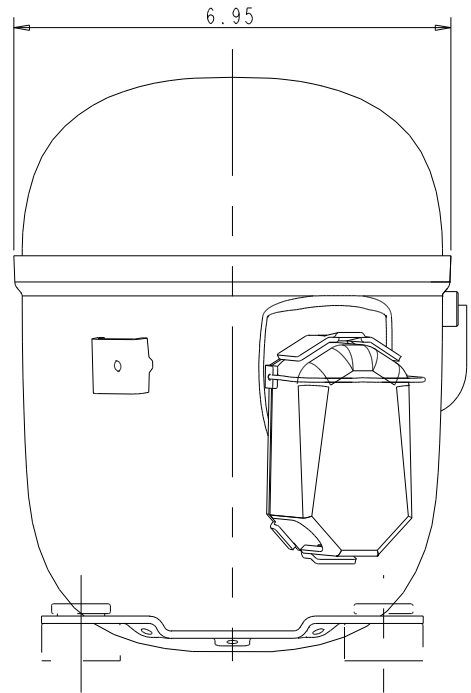
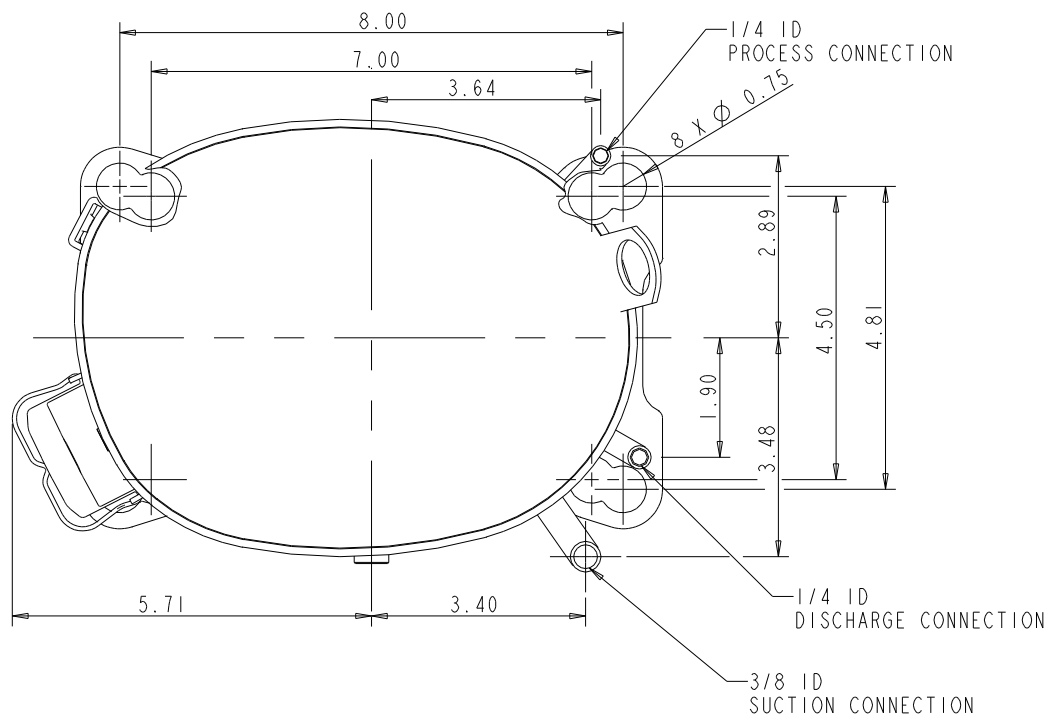


MODEL
RST45CIE-CAA
RST45CIE-IAA
RST55CIE-CAA
RST55CIE-IAA
RRT73CIE-CAA
RRT73CIE-IAA
RFT22CIE-CAA
RFT22CIE-IAA
RFT26CIE-CAA
RFT26CIE-IAA
RFT29CIE-CAA
RFT29CIE-IAA





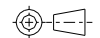
REV. NO.	DATE	BY	CHKD	APPR
34-0210-020	7	REV PROCESS CONN, REM MODELS, REDRAWN	03-10-10	KG BP
32-0905-010	0	RELEASED	09-06-05	WPF WPF

ENG NOTICE NO.	REV.NO.	REVISIONS	DATE	BY	CHKD	APPR
20		THIS DRAWING AND INFORMATION CONTAINED HEREIN ARE THE EXCLUSIVE PROPERTY OF EMERSON CLIMATE TECHNOLOGIES, INC. AND SHALL BE RETURNED UPON DEMAND AND SHALL NOT BE REPRODUCED IN WHOLE OR IN PART, DISCLOSED TO ANYONE ELSE OR USED, WITHOUT THE WRITTEN CONSENT OF EMERSON CLIMATE TECHNOLOGIES, INC.				

MATERIAL SPECIFICATION	DRAWN BY	SUPERSEDES DWG. NO. / REV. NO.
N/A	KG	497-2855-00 / 6
	DATE	SCALE
	03-12-10	3:4
		DATE FORMAT: MM-DD-YY

TITLE	DRAWING NUMBER	SHEET 1 OF 1	DWG SIZE
REF. DWG. -WELD COMP ASSM	497-2855-00		4


EMERSON.
 Climate Technologies

 Copeland
 brand products

INTERPRET PER ASME Y14.5M-1994 AND EMERSON CLIMATE TECHNOLOGIES, INC. DESIGN STANDARDS DS2002
 DO NOT SCALE DRAWING
 THIRD ANGLE PROJECTION

 UNLESS OTHERWISE SPECIFIED DIMENSIONS ARE INCH OR (MILLIMETER)
 TOLERANCES:
 2-PLACE ± N/A
 3-PLACE ± N/A
 ANGULAR ± N/A

©COPYRIGHT EMERSON CLIMATE TECHNOLOGIES, INC. - CONFIDENTIAL