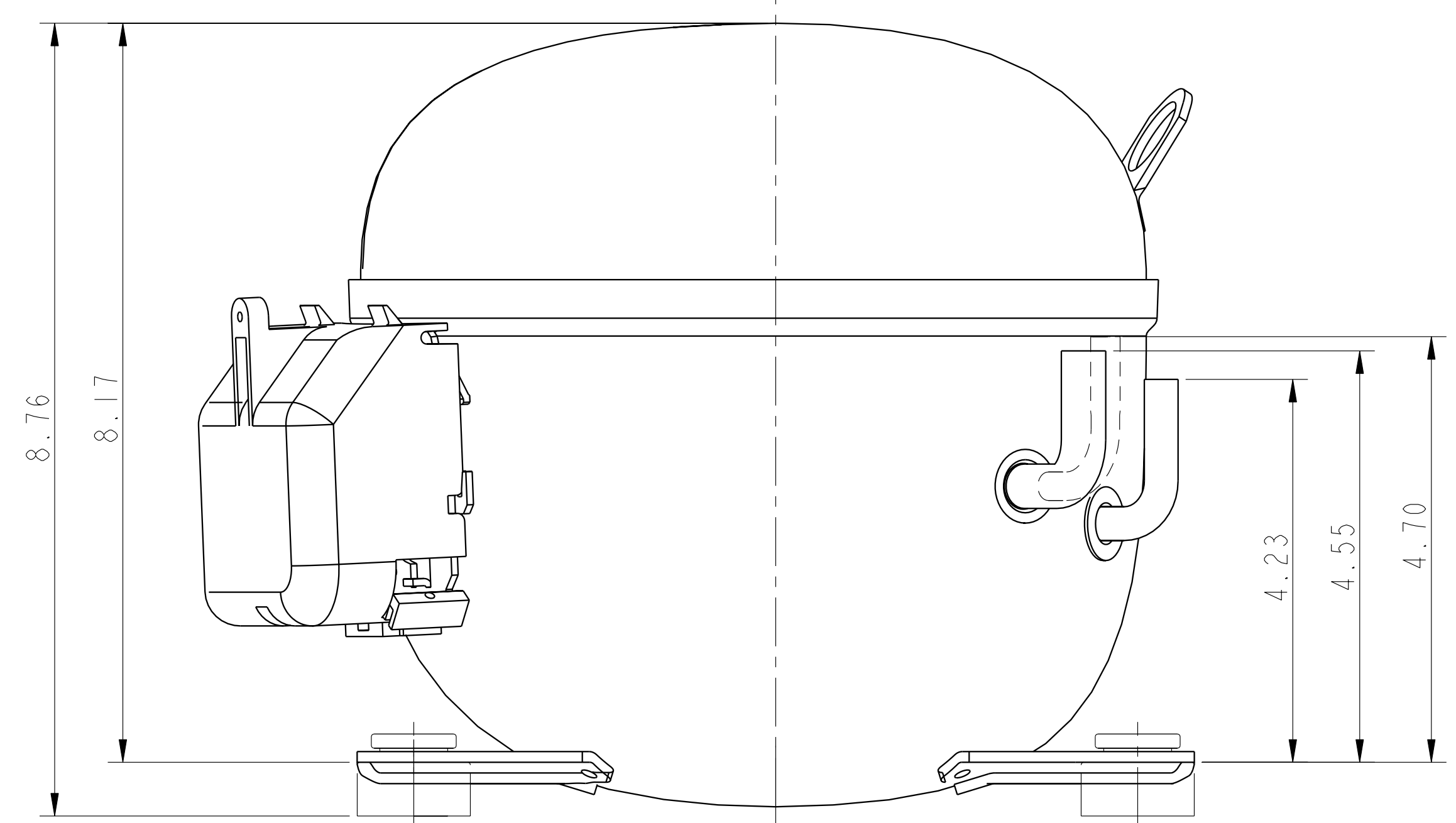
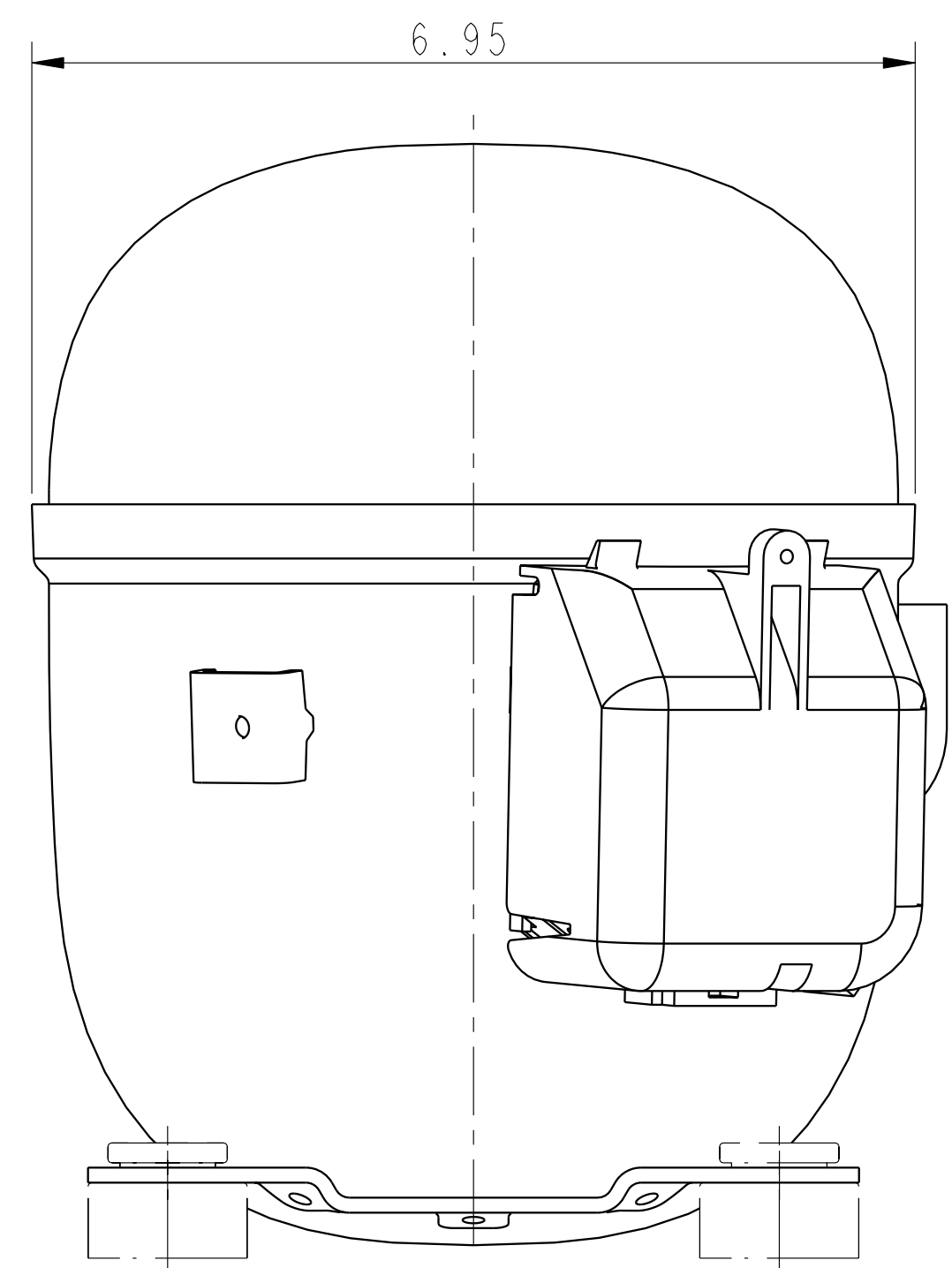
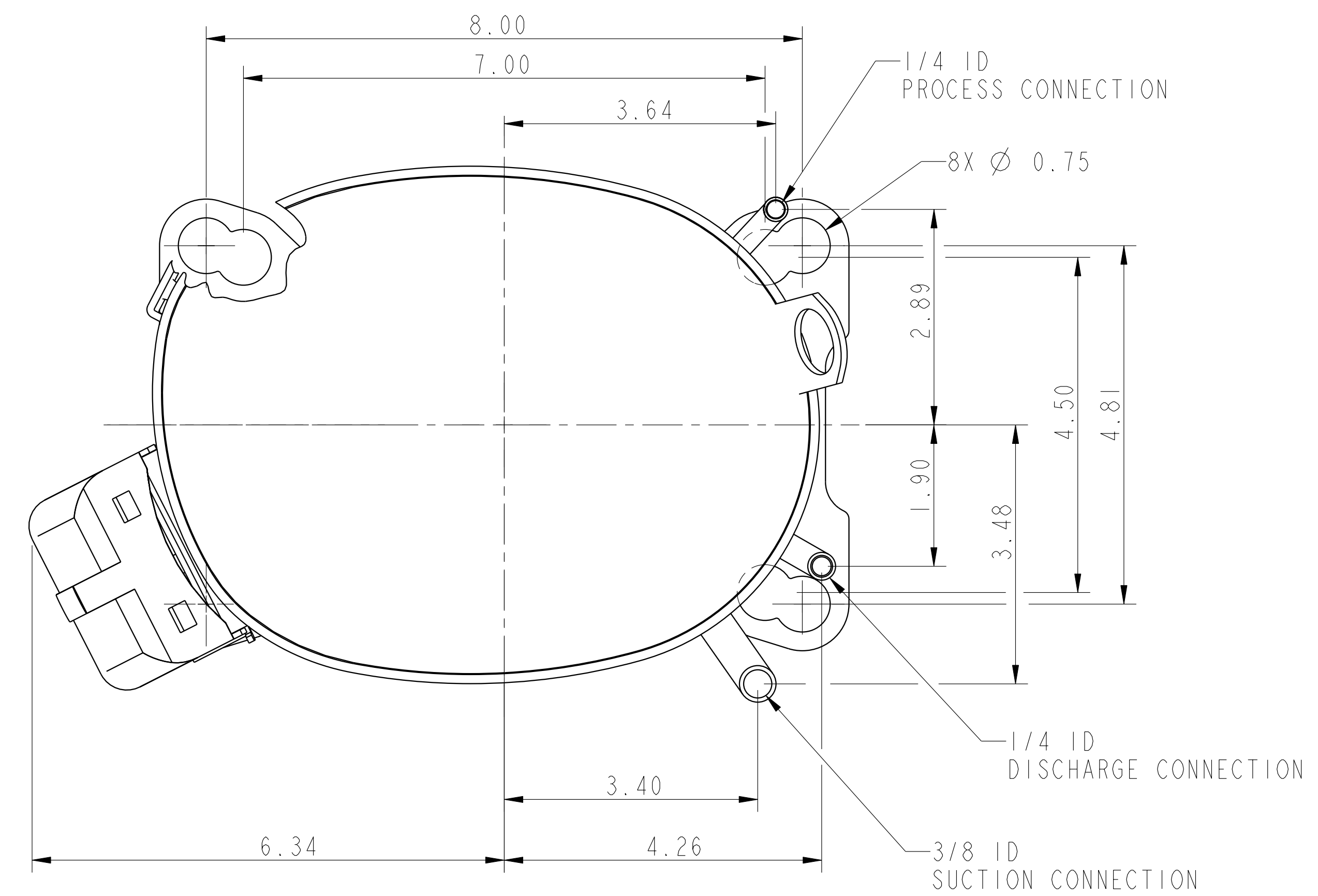


MODEL  
RRT62C1-1AA



INTERPRET PER ASME  
Y14.5M-1994 AND  
EMERSON CLIMATE  
TECHNOLOGIES, INC.  
DESIGN STANDARDS DS2002  
DO NOT SCALE DRAWING  
THIRD ANGLE PROJECTION

UNLESS OTHERWISE SPECIFIED,  
DIMENSIONS ARE INCH OR (MILLIMETER)  
TOLERANCES:  
2-PLACE ± N/A  
3-PLACE ± N/A  
ANGULAR ± N/A

ECN004145	0	RELEASED	11-15-11	JSK		
ENG NOTICE NO.	REV. NO.	REVISIONS	DATE	BY	CHKD	APPR
20		CONFIDENTIALITY NOTICE THIS DRAWING AND INFORMATION CONTAINED HEREIN ARE THE EXCLUSIVE PROPERTY OF EMERSON CLIMATE TECHNOLOGIES, INC. AND SHALL BE RETURNED UPON DEMAND AND SHALL NOT BE REPRODUCED IN WHOLE OR IN PART, DISCLOSED TO ANYONE ELSE OR USED, WITHOUT THE WRITTEN CONSENT OF EMERSON CLIMATE TECHNOLOGIES, INC.				
MATERIAL SPECIFICATION		DRAWN BY JSK	SUPERSEDES DWG. NO. / REV. NO. /			
		DATE 11-15-11	SCALE 3:4	DATE FORMAT: MM-DD-YY		
TITLE REF. DWG. - WELD COMP ASSM		DRAWING NUMBER 497-2873-01	SHEET 1 OF 1	DWG 4 SIZE		

UNCONTROLLED - DO NOT MODIFY

©COPYRIGHT EMERSON CLIMATE TECHNOLOGIES, INC. - CONFIDENTIAL