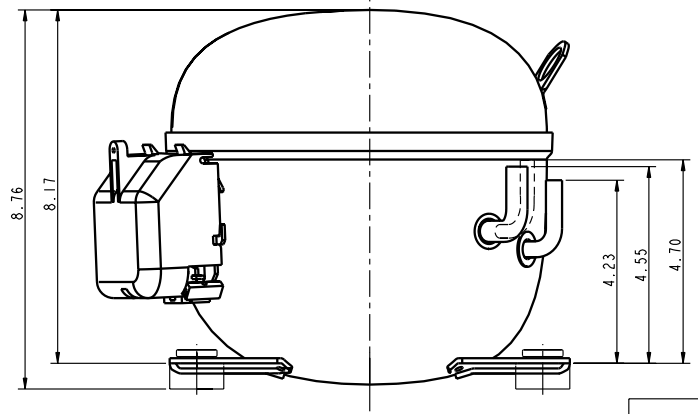
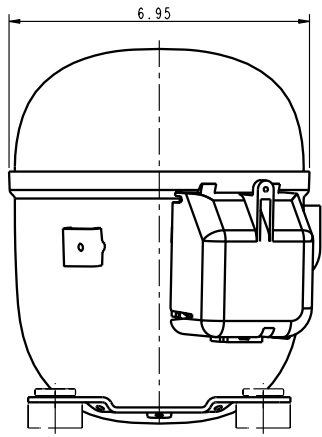
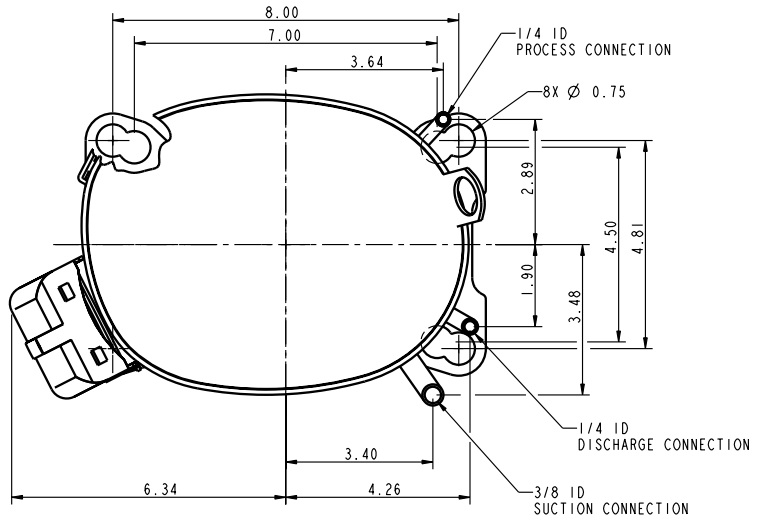


MODEL
RRT62C1E-1AA
RFT12C1E-1AA
RFT12C1E-1AB
RFT12C1E-1AV
RRT62C1E-CAA
RRT62C1E-1AV



32-0610-027	I	REMOVED MODELS: RFT12C1E-1AA/1AB/1AV	06-10-21	VSK	WF
34-0210-020	D	RELEASED	02-09-10	KG	BP

ENG NOTICE NO.	REV. NO.	REVISIONS	DATE	BY	CHKD	APPD

CONFIDENTIALITY NOTICE			
THIS DRAWING AND INFORMATION CONTAINED HEREIN ARE THE EXCLUSIVE PROPERTY OF EMERSON CLIMATE TECHNOLOGIES, INC. AND SHALL BE RETURNED UPON DEMAND AND SHALL NOT BE REPRODUCED IN WHOLE OR IN PART DISCLOSED TO ANYONE ELSE OR USED, WITHOUT THE WRITTEN CONSENT OF EMERSON CLIMATE TECHNOLOGIES, INC.			
MATERIAL SPECIFICATION	DRAWN BY	SUPERSEDES DWG. NO. / REV. NO.	
	KG		
DATE	SCALE	DATE FORMAT:	
02-09-10	3:4	MM-DD-YY	
TITLE	DRAWING NUMBER	SHEET 1 OF 1	4
REF. DWG.-WELD COMP ASSM	497-2864-02		4



INTERPRET PER ASME Y14.5M-1994 AND EMERSON CLIMATE TECHNOLOGIES, INC. DESIGN STANDARDS_DS2002
 DO NOT SCALE DRAWING
 THIRD ANGLE PROJECTION
 UNLESS OTHERWISE SPECIFIED DIMENSIONS ARE INCH OR (SMALL) MILLIMETER
 TOLERANCES:
 2-PLACE ± .004
 3-PLACE ± .003
 ANGULAR ± .004

UNCONTROLLED - DO NOT MODIFY

COPYRIGHT EMERSON CLIMATE TECHNOLOGIES, INC. - CONFIDENTIAL