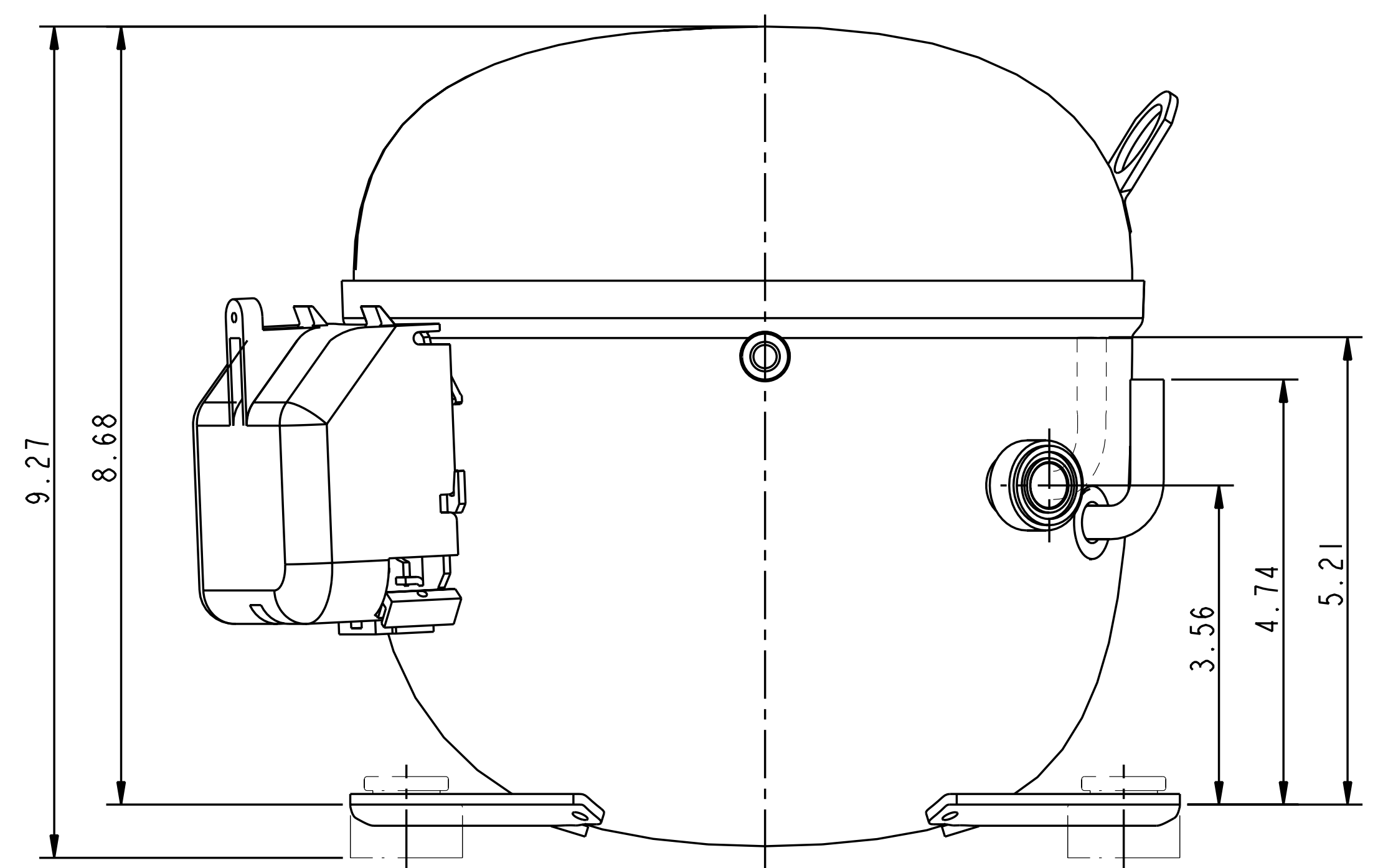
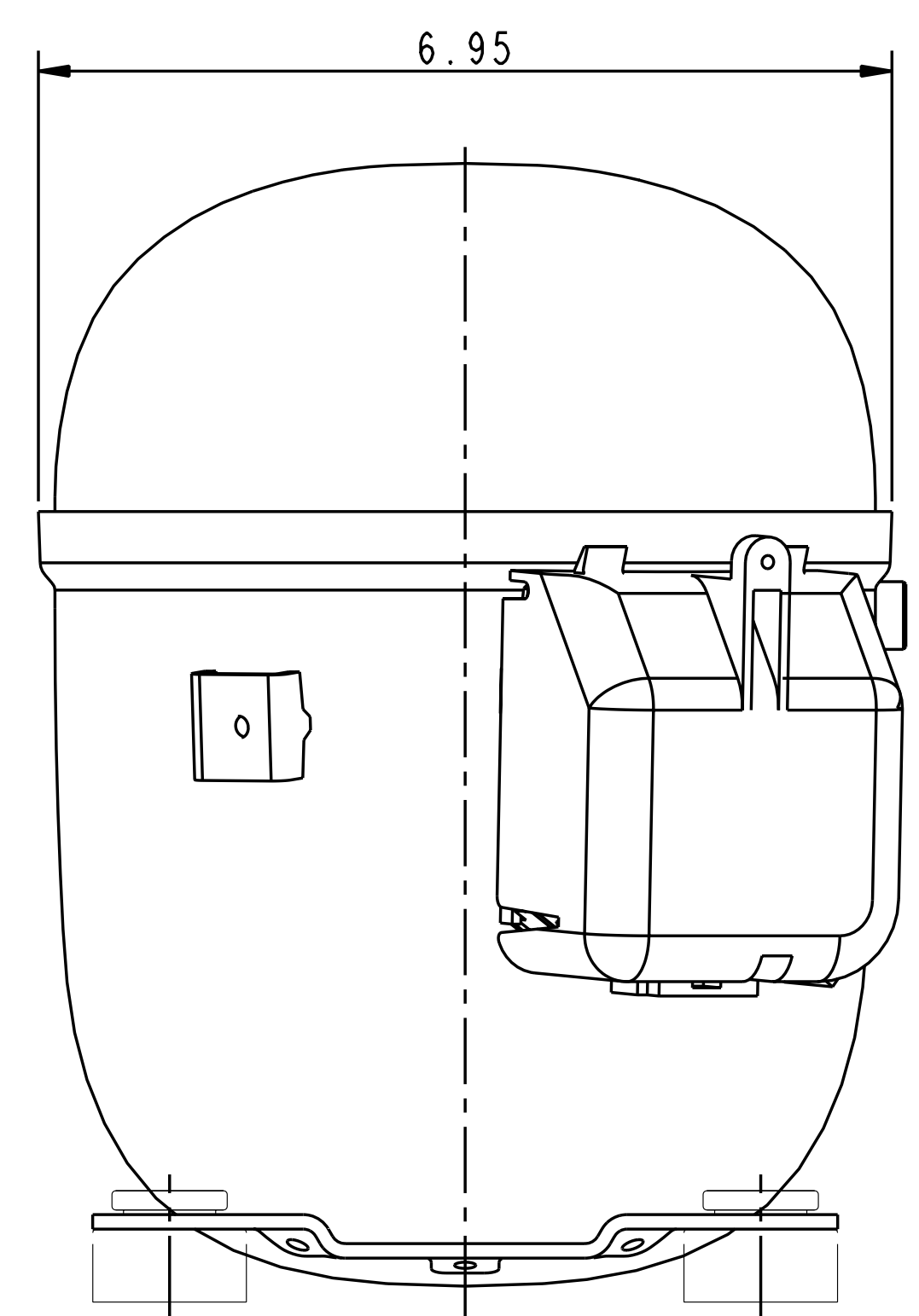
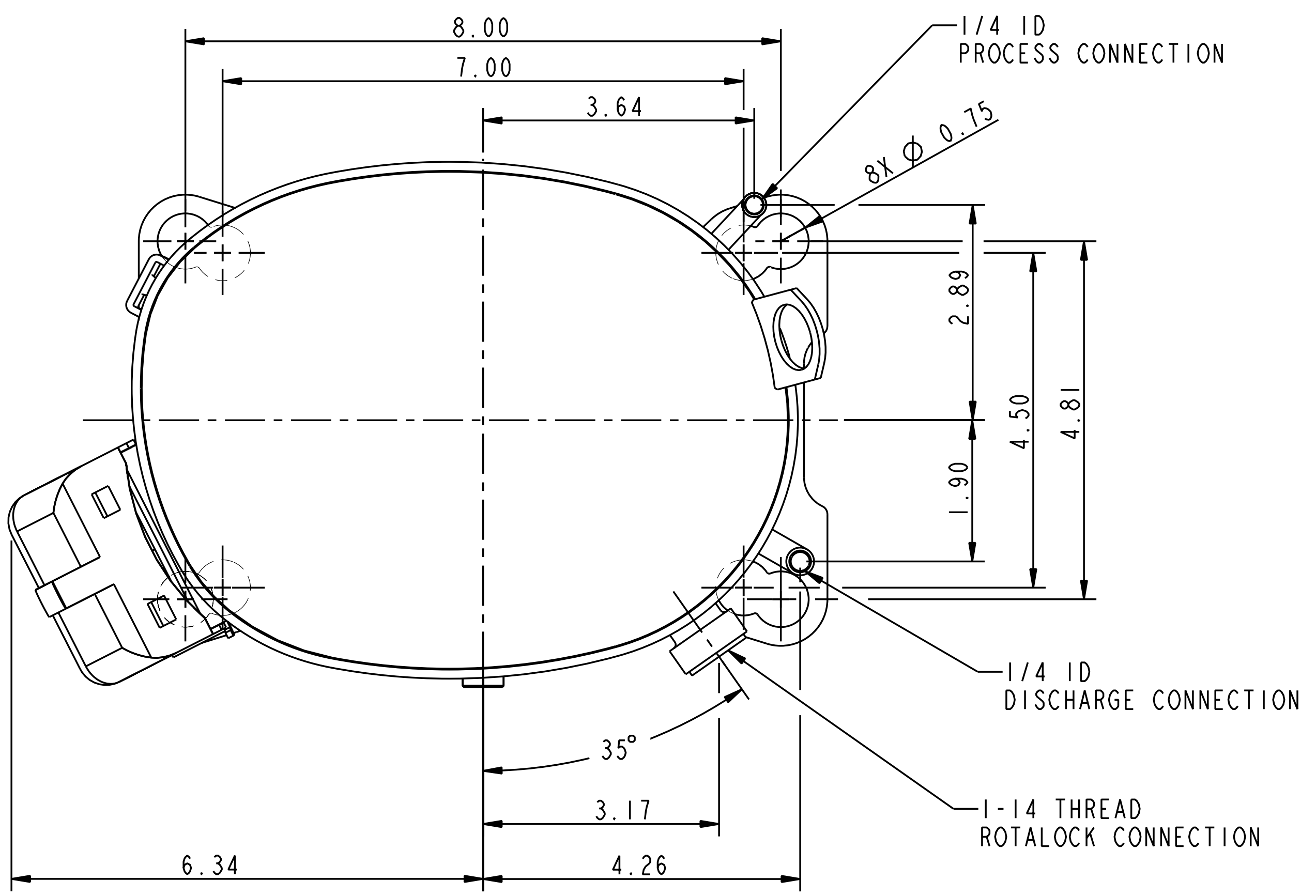


MODEL
RST40CI-1AA
RST40CI-1AV
RST45CI-CAV
RST45CI-1AV
RST55CI-CAV
RST55CI-1AV
RRT64CI-1AA
RRT64CI-1AV



ECN005220	1	REDRAWN WITH CHANGES; REMOVED RRT62CI-1AA	05-22-12	SSK	WF	
ECN004131	0	RELEASED	09-05-11	SSK	WF	
ENG NOTICE NO.	REV. NO.	REVISIONS	DATE	BY	CHKD	APPR
20		CONFIDENTIALITY NOTICE				
THIS DRAWING AND INFORMATION CONTAINED HEREIN ARE THE EXCLUSIVE PROPERTY OF EMERSON CLIMATE TECHNOLOGIES, INC. AND SHALL BE RETURNED UPON DEMAND AND SHALL NOT BE REPRODUCED IN WHOLE OR IN PART, DISCLOSED TO ANYONE ELSE OR USED, WITHOUT THE WRITTEN CONSENT OF EMERSON CLIMATE TECHNOLOGIES, INC.						
MATERIAL SPECIFICATION			DRAWN BY	SUPERSEDES DWG. NO. / REV. NO.		
N/A			SSK	497-1159-00 / 0		
			DATE	SCALE	DATE FORMAT:	
			05-22-12	3:4	MM-DD-YY	
TITLE			DRAWING NUMBER	SHEET 1 OF 1	DWG SIZE	
REF. DWG. - WELD COMP ASSM			497-1159-00		4	

INTERPRET PER ASME Y14.5M-1994 AND EMERSON CLIMATE TECHNOLOGIES, INC. DESIGN STANDARDS DS2002. DO NOT SCALE DRAWING. THIRD ANGLE PROJECTION.

UNLESS OTHERWISE SPECIFIED DIMENSIONS ARE INCH OR (MILLIMETER) TOLERANCES:
 2-PLACE ± N/A
 3-PLACE ± N/A
 ANGULAR ± N/A

EMERSON
Climate Technologies

Copeland
brand products

UNCONTROLLED - DO NOT MODIFY

©COPYRIGHT EMERSON CLIMATE TECHNOLOGIES, INC. - CONFIDENTIAL