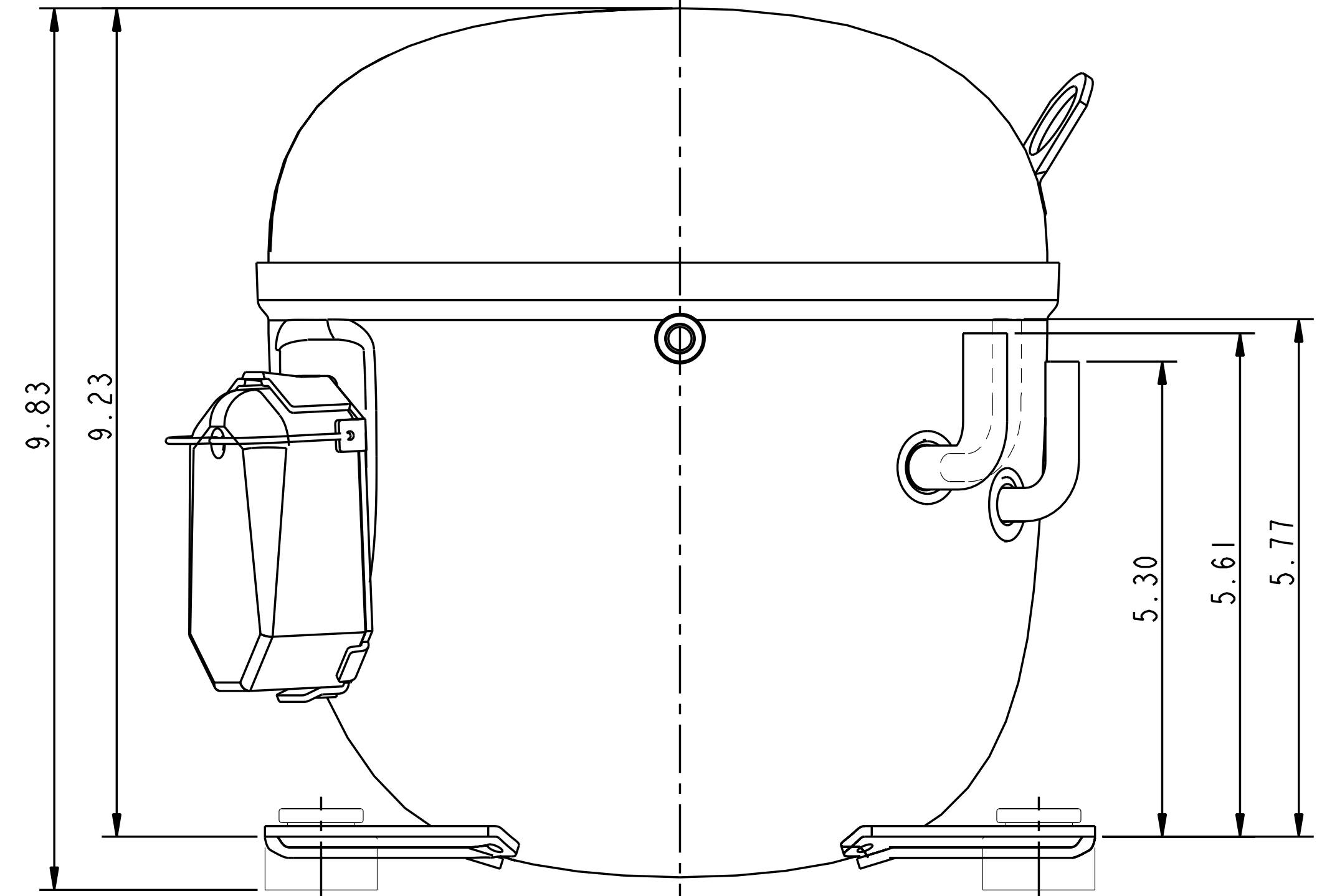
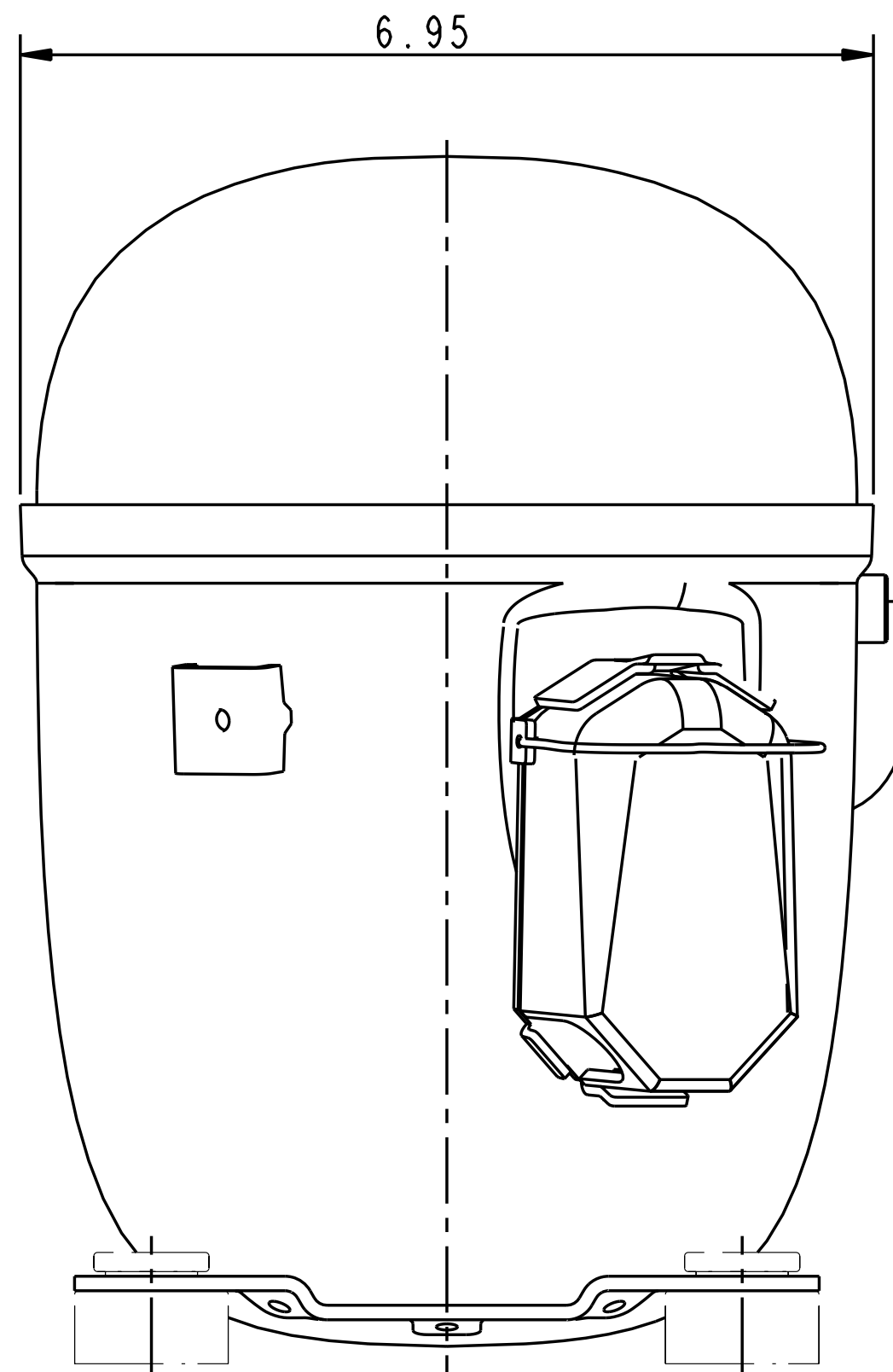
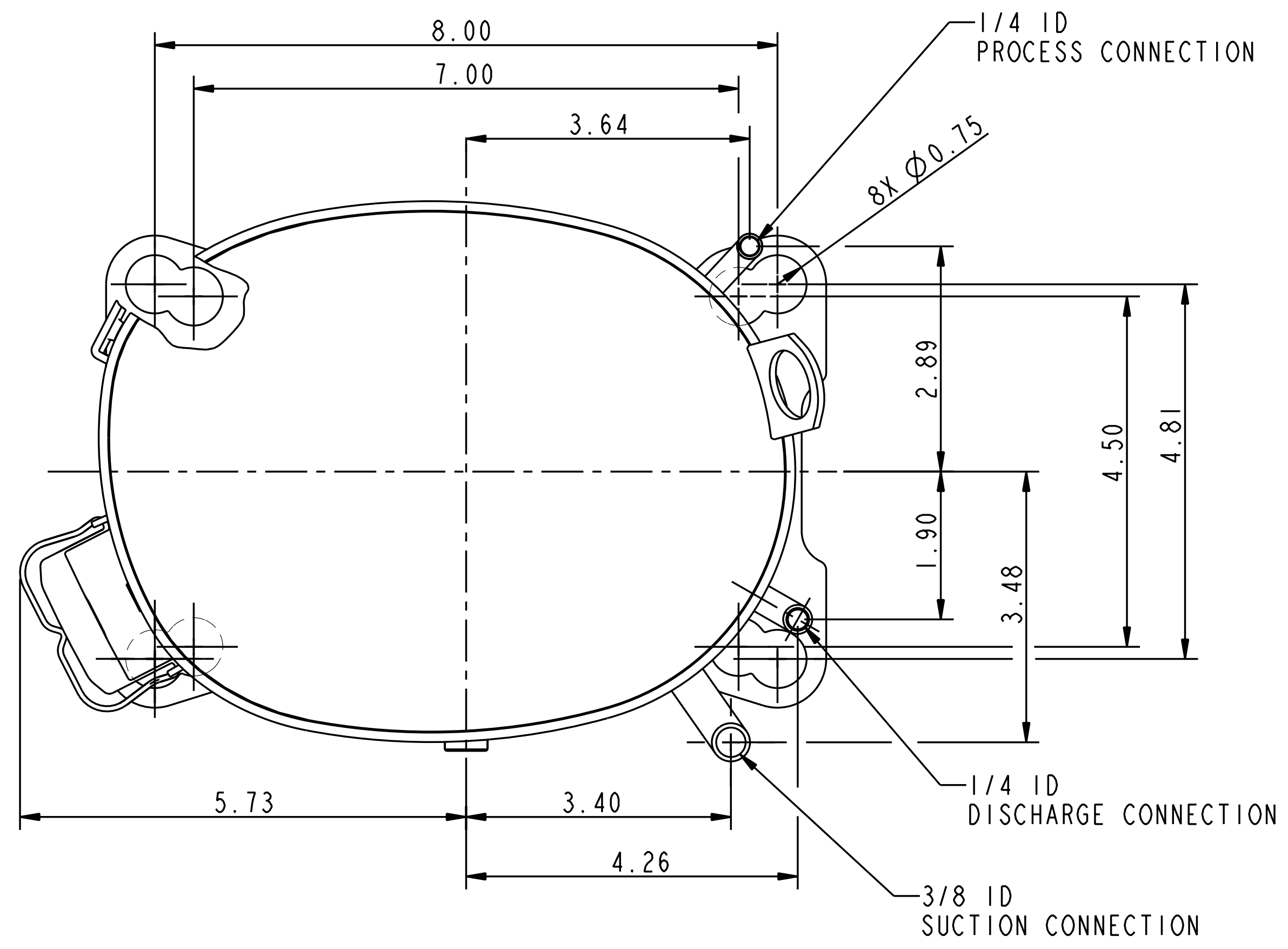


MODEL
RFT32CIE-CAA
RFT32CIE-IAA
RST61CIE-CFA
RST64CIE-CAV
RST64CIE-CAZ
RST64CIE-CFA
RST64CIE-IAV
RST64CIE-IAZ



ECN005220	2	REDRAWN WITH CHANGES	05-22-12	SSK	WF	
34-0210-020	0	RELEASED	02-19-10	KG	BP	
ENG NOTICE NO.	REV. NO.	REVISIONS	DATE	BY	CHKD	APPR
20		CONFIDENTIALITY NOTICE				
THIS DRAWING AND INFORMATION CONTAINED HEREIN ARE THE EXCLUSIVE PROPERTY OF EMERSON CLIMATE TECHNOLOGIES, INC. AND SHALL BE RETURNED UPON DEMAND AND SHALL NOT BE REPRODUCED IN WHOLE OR IN PART, DISCLOSED TO ANYONE ELSE OR USED, WITHOUT THE WRITTEN CONSENT OF EMERSON CLIMATE TECHNOLOGIES, INC.						
MATERIAL SPECIFICATION			DRAWN BY		SUPERSEDES DWG. NO. / REV. NO.	
N/A			SSK		497-2855-01 / 1	
			DATE		SCALE	
			05-22-12		3:4	
TITLE			DRAWING NUMBER		SHEET 1 OF 1	
REF. DWG. - WELD COMPRESSOR ASSM			497-2855-01		4	
					SIZE	
					4	

INTERPRET PER ASME Y14.5M-1994 AND EMERSON CLIMATE TECHNOLOGIES, INC. DESIGN STANDARDS DS2002. DO NOT SCALE DRAWING. THIRD ANGLE PROJECTION.

UNLESS OTHERWISE SPECIFIED DIMENSIONS ARE INCH OR (MILLIMETER) TOLERANCES:  
 2-PLACE ± N/A  
 3-PLACE ± N/A  
 ANGULAR ± N/A

**EMERSON**  
Climate Technologies

**Copeland**  
brand products

UNCONTROLLED - DO NOT MODIFY

©COPYRIGHT EMERSON CLIMATE TECHNOLOGIES, INC. - CONFIDENTIAL