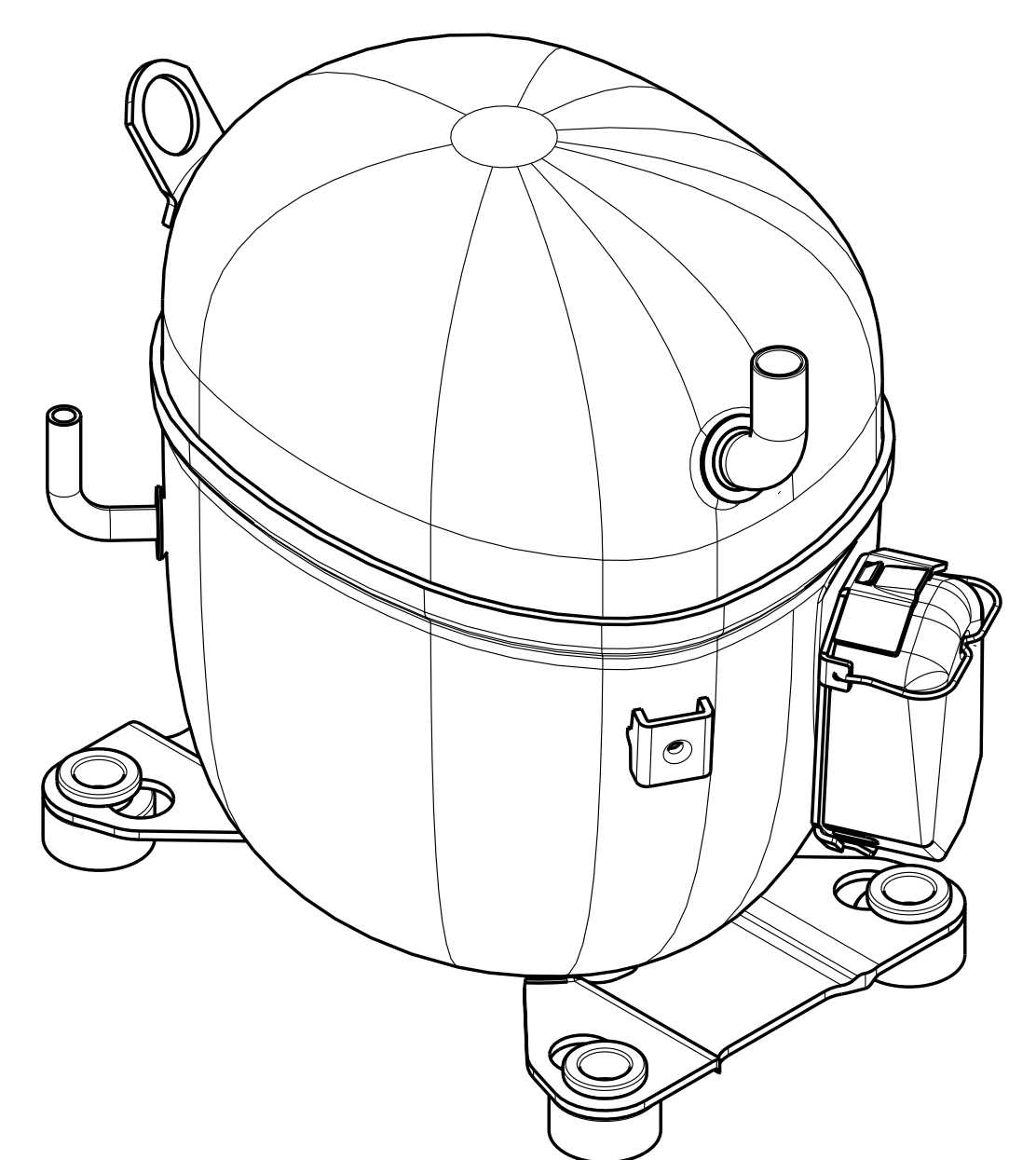
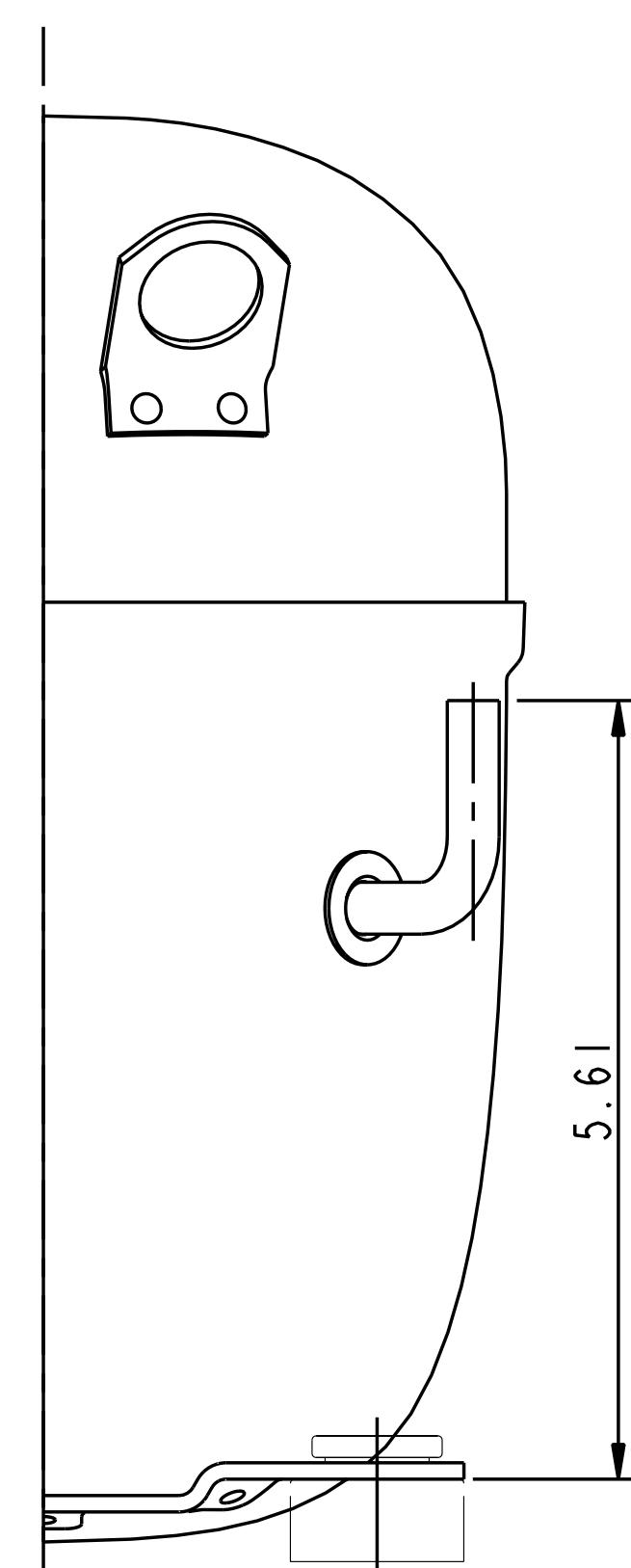
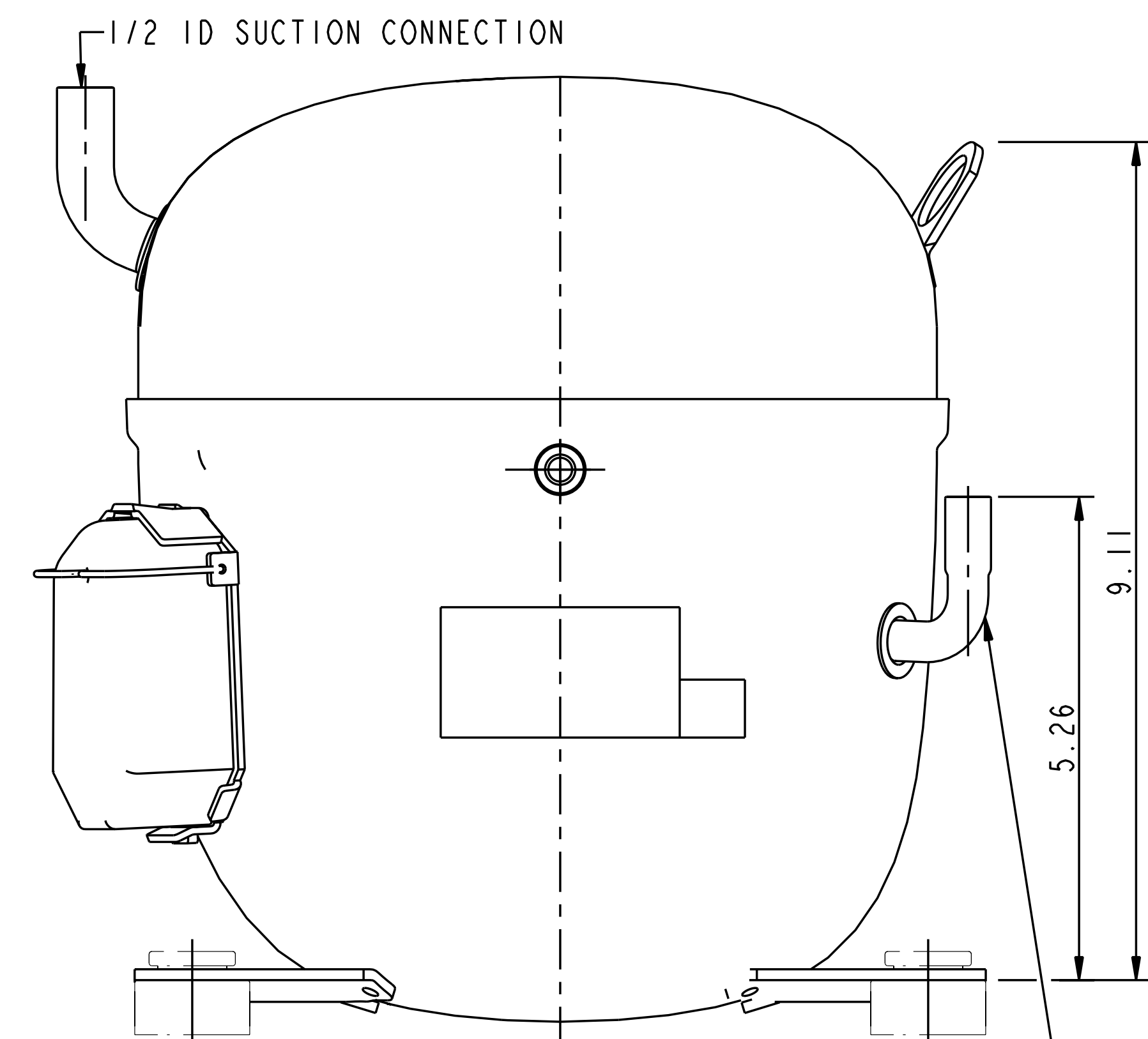
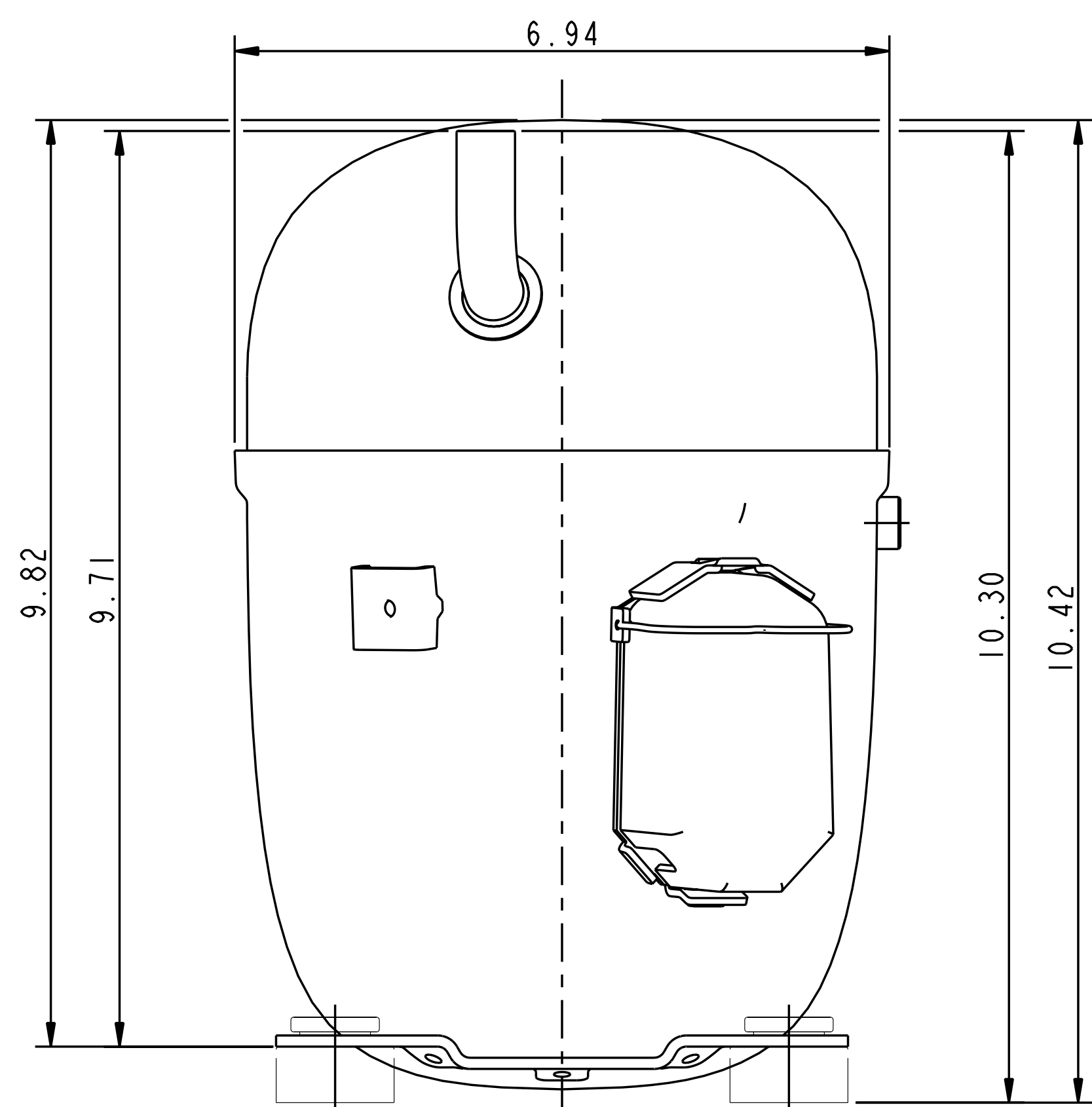
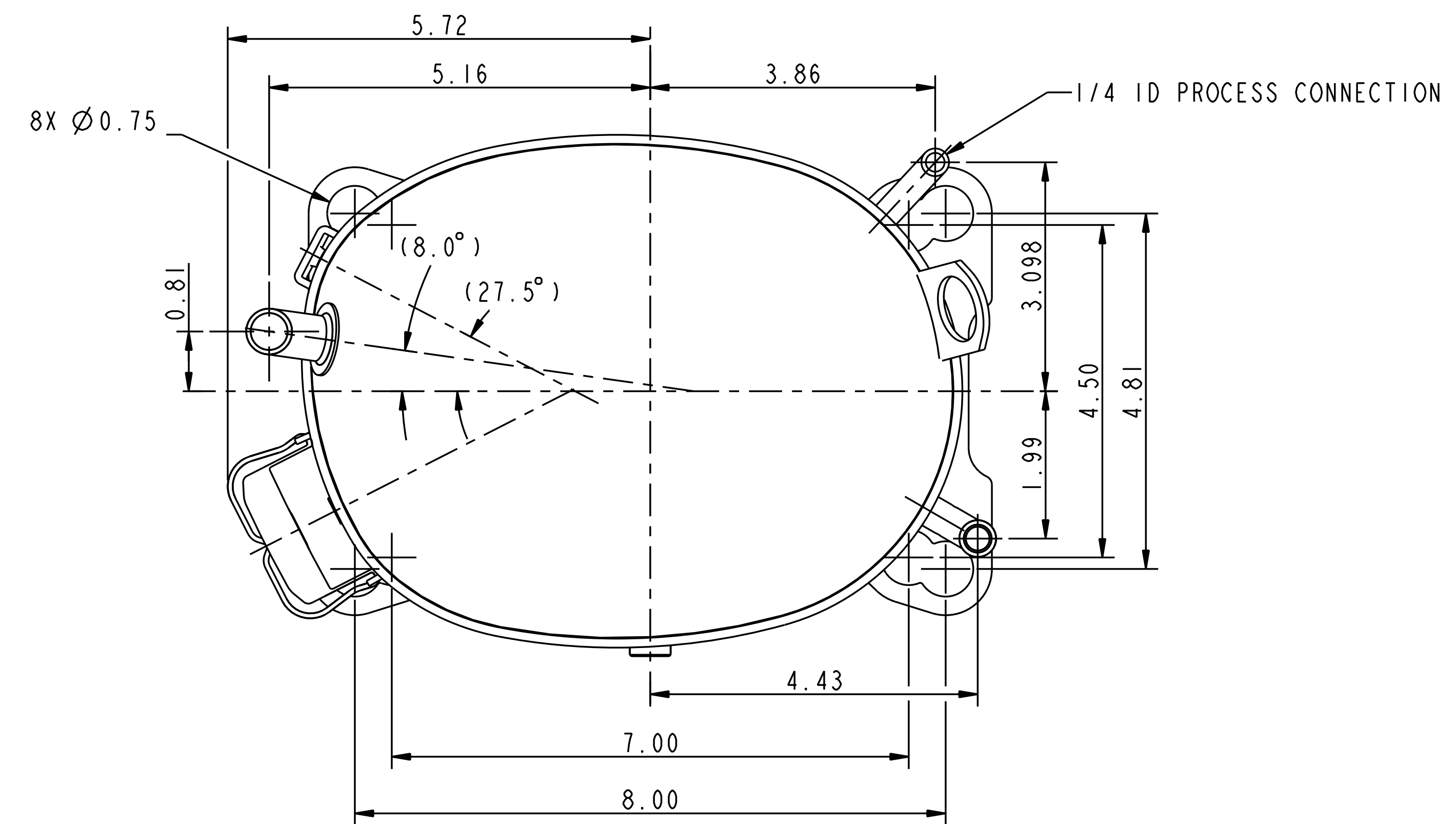


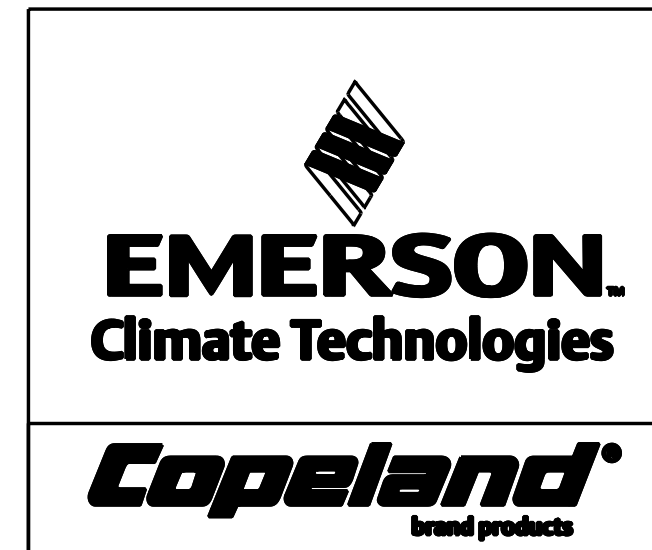
MODEL	
RFT18CIE-PFA	②
RRT10KIE-PFA	
RRT10KIE-PFV	
RRT10KIE-PFZ	
RRT8ICIE-PFA	
RRT8ICIE-PFV	
RRT8ICIE-PFZ	
RST10KIE-PFV	
RST10KIE-TA5	①
RST70CIE-PFV	①
RST70CIE-TA5	①
RST80CIE-PFA	
RST80CIE-PFV	
RST80CIE-PFZ	
RST80CIE-TA5	①
RST97CIE-PFV	
RST97CIE-PFZ	
RST97CIE-TA5	①
RST70CIE-PFA	③



3/8 ID DISCHARGE CONNECTION

ENG NOTICE NO.	REV. NO.	REVISIONS	DATE	BY	CHKD	APPR
ECN007633	3	ADDED MODEL RST70CIE-PFA	09-24-13	KRG	SS	
ECN004227	2	REMOVED MODEL RFT18CIE-PFA	08-01-11	VBC	DC	
ECN003885	1	MODELS UPDATED	05-16-11	VSK	WF	
34-0610-003	0	RELEASED	06-08-10	VSK	WF	

CONFIDENTIALITY NOTICE			
20	THIS DRAWING AND INFORMATION CONTAINED HEREIN ARE THE EXCLUSIVE PROPERTY OF EMERSON CLIMATE TECHNOLOGIES, INC. AND SHALL BE RETURNED UPON DEMAND AND SHALL NOT BE REPRODUCED IN WHOLE OR IN PART, DISCLOSED TO ANYONE ELSE OR USED, WITHOUT THE WRITTEN CONSENT OF EMERSON CLIMATE TECHNOLOGIES, INC.		
MATERIAL SPECIFICATION		DRAWN BY	SUPERSEDES DWG. NO. / REV. NO.
N/A		VSK	/
		DATE	SCALE
		06-08-10	1:2
TITLE		DRAWING NUMBER	SHEET 1 OF 1 DWG
REF DWG-WELD COMP ASSM		497-0950-00	4



INTERPRET PER ASME Y14.5M-1994 AND EMERSON CLIMATE TECHNOLOGIES, INC. DESIGN STANDARDS DS2002. DO NOT SCALE DRAWING. THIRD ANGLE PROJECTION.

UNLESS OTHERWISE SPECIFIED DIMENSIONS ARE INCH OR (MILLIMETER) TOLERANCES:
 2-PLACE ± N/A
 3-PLACE ± N/A
 ANGULAR ± N/A