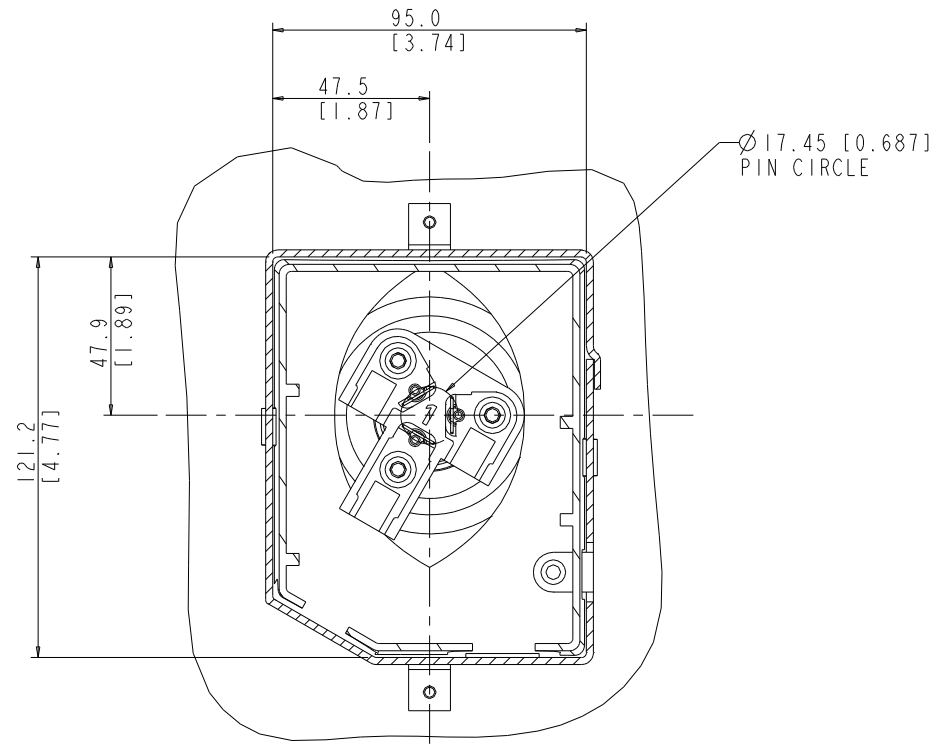
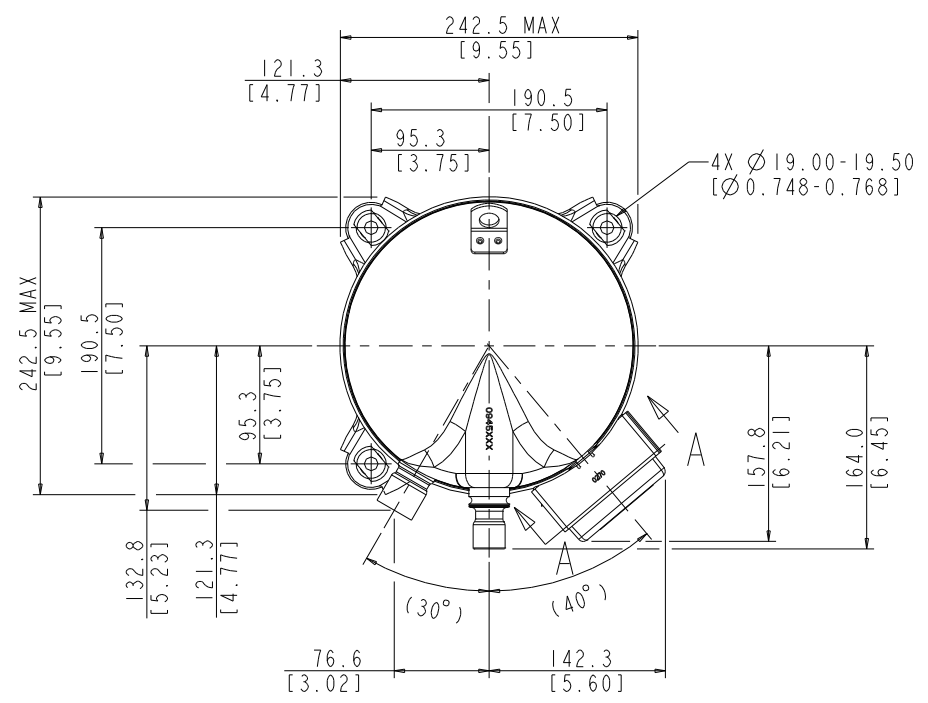
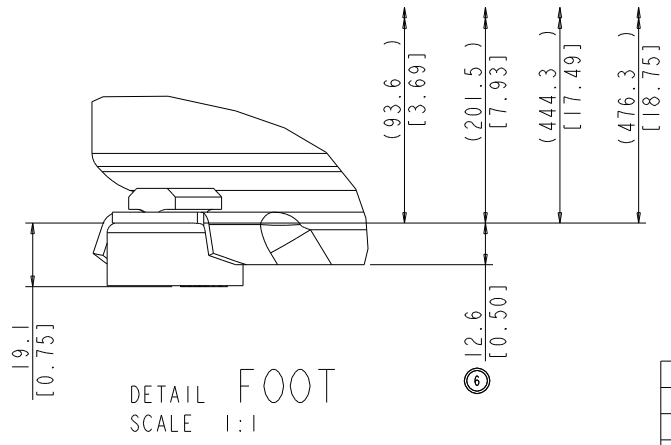
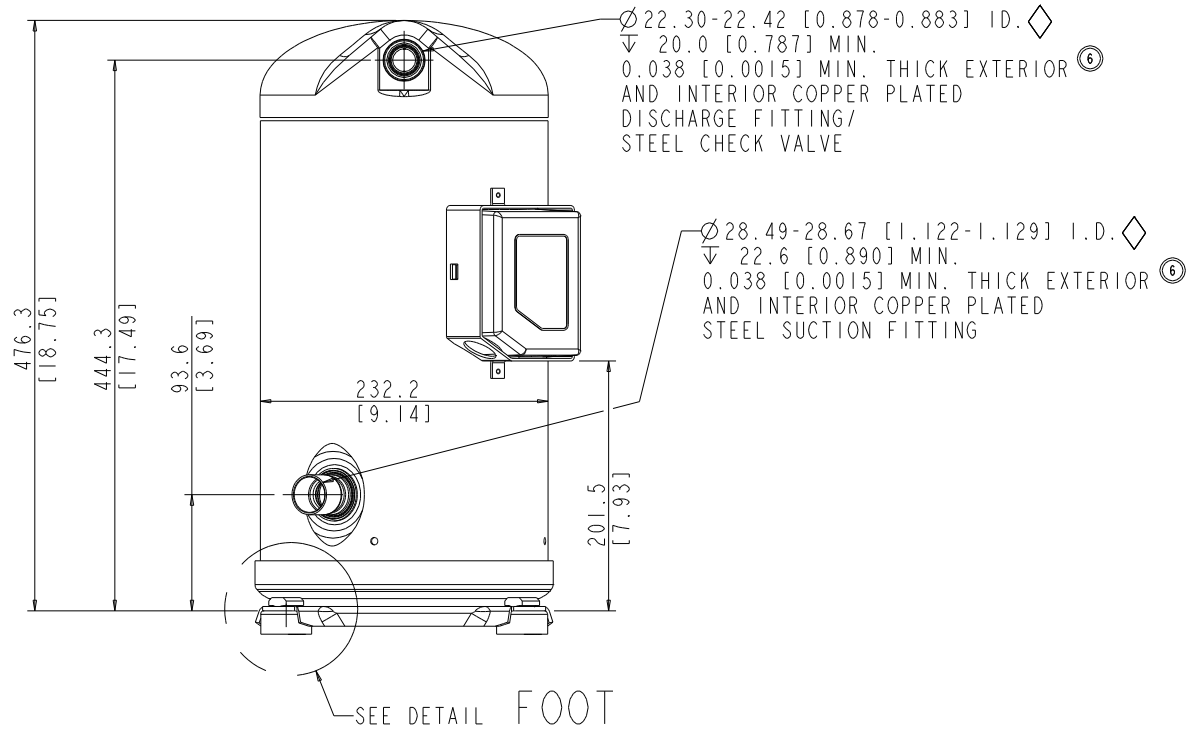
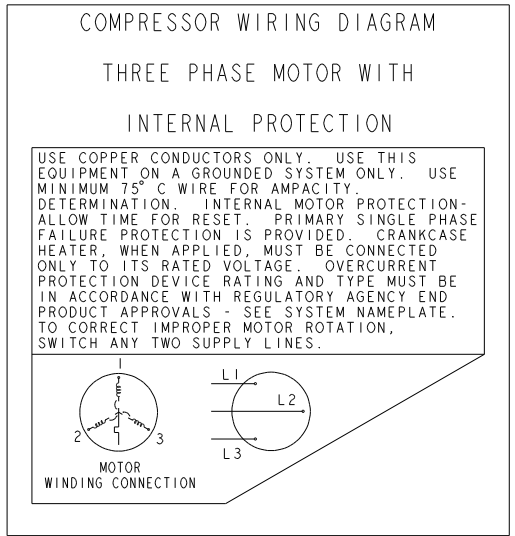


MODEL NUMBER	⑥
ZB50KC/KCE	
ZB58KC/KCE	

SPECIFICATIONS	
ES NO.	DESCRIPTION
ES92-155	CONVERSION-METRIC



- NOTES:
- ① ALL TOLERANCES ± 1.5 [0.06] UNLESS OTHERWISE SPECIFIED. DUE TO ACCUMULATED ASSEMBLY TOLERANCES THE LISTED COMPONENTS MAY VARY FROM THE MOUNTING HOLES AS TABULATED.
 - ◇ SUCTION FITTING ± 3.0 [0.12]
 - ◇ DISCHARGE FITTING ± 3.0 [0.12]
 - ② MOUNTING KIT: 527-0116-00
 - ③ TUBE ENDS MUST BE PLUGGED.



ECN000821	6	REVISED & REDRAWN	11-27-07	PBM	NJG	KJR
32-1299-010	0	RELEASED	02-02-00	PMM	CHK	JPS
ENG NOTICE NO.	REV.NO.	REVISIONS	DATE	BY	CHKD	APPR
15		CONFIDENTIALITY NOTICE				
THIS DRAWING AND INFORMATION CONTAINED HEREIN ARE THE EXCLUSIVE PROPERTY OF EMERSON CLIMATE TECHNOLOGIES, INC. AND SHALL BE RETURNED UPON DEMAND AND SHALL NOT BE REPRODUCED, IN WHOLE OR IN PART, DISCLOSED TO ANYONE ELSE OR USED, WITHOUT THE WRITTEN CONSENT OF EMERSON CLIMATE TECHNOLOGIES, INC.						
MATERIAL SPECIFICATION			DRAWN BY		SUPERSEDES DWG. NO. / REV. NO.	
N/A			PBM		497-0301-00 / 5	
			DATE		SCALE	
			11-27-07		3:8	
			DATE FORMAT:		MM-DD-YY	
TITLE			DRAWING NUMBER		SHEET 1 OF 1	
REF DWG-WELD COMP ASSM.			497-0301-00		4	
			SIZE		4	

EMERSON Climate Technologies

Capeland brand products

INTERPRET PER ASME Y14.5M-1994 AND EMERSON CLIMATE TECHNOLOGIES, INC. DESIGN STANDARDS DS2002 DO NOT SCALE DRAWING

THIRD ANGLE PROJECTION

CRITICAL PRODUCT CHARACTERISTIC

UNLESS OTHERWISE SPECIFIED DIMENSIONS ARE MILLIMETER OR (INCH)

TOLERANCES:

1-PLACE \pm N/A

2-PLACE \pm N/A

ANGULAR \pm N/A

① ⑥

©COPYRIGHT EMERSON CLIMATE TECHNOLOGIES, INC. - CONFIDENTIAL