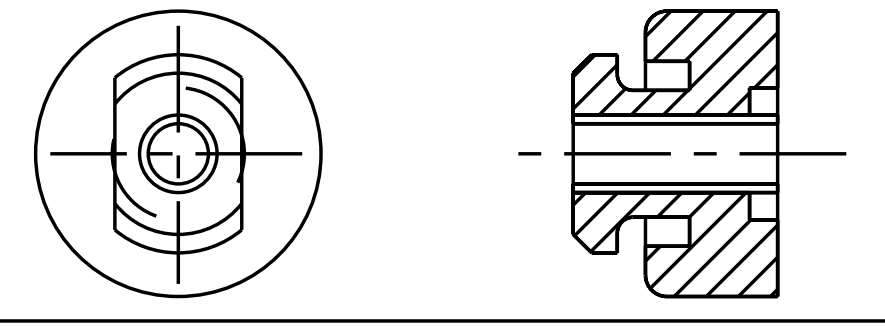


12	11	10	9	8	7	6	5	4	3	2	1
PART NO.	MODEL NUMBER	A±3.0	B±3.0	C±3.0	D±3.0	E±3.0	F±3.0	G±3.0	⑨⑬	SPECIFICATIONS	
										ES NO.	DESCRIPTION
497-3542-00	ZF06K4/K4E	368.7 [14.52]	343.1 [13.51]	279.4	243.8 [9.60]	202.2 [7.96]	68.9	43.4	⑬	⑨	ES81-159 CLEANLINESS
497-3542-01	ZF08K4/K4E ZF09K4/K4E	391.3 [15.41]	365.7 [14.40]	302.0	263.7 [10.38]	222.1 [8.74]	74.6	49.1	⑬	⑨	ES81-250 IDENTIFICATION
497-3542-02	ZF11K4/K4E	405.0 [15.94]	379.4 [14.94]	315.7	276.4 [10.88]	234.8 [9.24]	74.6	49.1	⑬	⑨	ES92-155 CONVERSION-METRIC
497-3542-03	ZS15K4/K4E	368.7 [14.52]	343.1 [13.51]	OMIT ③	243.8 [9.60]	202.2 [7.96]	68.9	43.4	⑬	⑨	
497-3542-04	ZS19K4/K4E ZS21K4/K4E	391.3 [15.41]	365.7 [14.40]	OMIT ③	263.7 [10.38]	222.1 [8.74]	74.6	49.1	⑬	⑨	
497-3542-05	ZS26K4/K4E	405.0 [15.94]	379.4 [14.94]	OMIT ③	276.4 [10.88]	234.8 [9.24]	74.6	49.1	⑬	⑨	
497-3542-06	ZB15KC/KCE ZB19KC/KCE	368.7 [14.52]	343.1 [13.51]	OMIT ③	243.8 [9.60]	202.2 [7.96]	68.9	43.4	⑬	⑨	
497-3542-07	ZB21KC/KCE	391.3 [15.41]	365.7 [14.40]	OMIT ③	263.7 [10.38]	222.1 [8.74]	74.6	49.1	⑬	⑨	
497-3542-08	ZB26KC/KCE	405.0 [15.94]	379.4 [14.94]	OMIT ③	276.4 [10.88]	234.8 [9.24]	74.6	49.1	⑬	⑨	
497-3542-09	ZB26KA	405.0 [15.94]	379.4 [14.94]	OMIT ③	276.4 [10.88]	234.8 [9.24]	74.6	49.1	⑬	⑨	
497-3542-10	ZB19KA ZB21KA	391.3 [15.41]	365.7 [14.40]	OMIT ③	263.7 [10.38]	222.1 [8.74]	74.6	49.1	⑬	⑨	
497-3542-11	ZB15KA	368.7 [14.52]	343.1 [13.51]	OMIT ③	243.8 [9.60]	202.2 [7.96]	68.9	43.4	⑬	⑨	
497-3542-12	ZX15KC-TFD	391.9 [15.43]	366.4 [14.43]	OMIT ③	264.4 [10.41]	222.8 [8.77]	OMIT	OMIT	⑬	⑨	
497-3542-13	ZX21KC-TFD	369.3 [14.54]	342.8 [13.50]	OMIT ③	244.5 [9.63]	202.9 [7.99]	OMIT	OMIT	⑬	⑨	
497-3542-14	ZS21K4E ZS26K4E	368.7 [14.52]	343.1 [13.51]	279.4	243.8 [9.60]	202.2 [7.96]	68.9	OMIT	⑩	⑬	
497-3542-15	ZB15KQ/KQE ZB19KQ/KQE	368.7 [14.52]	343.1 [13.51]	OMIT ③	243.8 [9.60]	202.2 [7.96]	68.9	43.4	⑬	⑨	
497-3542-16	ZB21KQ/KQE	391.3 [15.41]	365.7 [14.40]	OMIT ③	263.7 [10.38]	222.1 [8.74]	74.6	49.1	⑬	⑨	
497-3542-17	ZB26KQ/KQE	405.0 [15.94]	379.4 [14.94]	OMIT ③	276.4 [10.88]	234.8 [9.24]	74.6	49.1	⑬	⑨	
497-3542-18	ZB15KQ/KQE ZB19KQ/KQE	363.8 [14.324]	338.3 [13.319]	OMIT ③	244.5 [9.626]	202.9 [7.988]	OMIT	OMIT	⑬	⑨	
497-3542-19	ZB21KQ/KQE	386.4 [15.213]	360.9 [14.209]	OMIT ③	264.4 [10.409]	222.8 [8.772]	OMIT	OMIT	⑬	⑨	
497-3542-20	ZB26KQ/KQE	400.2 [15.756]	374.6 [14.748]	OMIT ③	277.1 [10.910]	235.5 [9.272]	OMIT	OMIT	⑬	⑨	

PART NO.	MODEL NUMBER	A±3.0	B±3.0	C±3.0	D±3.0	E±3.0	F±3.0	G±3.0	⑨⑬
497-3542-21	ZX15KC/KCE-PFJ ZX15KC/KCE-PFV ZX15KC/KCE-TF5	363.8 [14.324]	338.3 [13.319]	OMIT	244.5 [9.626]	202.9 [7.988]	OMIT	OMIT	⑬
497-3542-22	ZX21KC/KCE-PFJ ZX21KC/KCE-PFV ZX21KC/KCE-TF5	386.4 [15.213]	360.9 [14.209]	OMIT	264.4 [10.409]	222.8 [8.772]	OMIT	OMIT	⑬
497-3542-23	ZS15K4E	368.7 [14.52]	343.1 [13.51]	OMIT ③	243.8 [9.60]	202.2 [7.96]	OMIT	OMIT	⑬
497-3542-24	ZB15/19KQ/KQE *** 558	363.8 [14.324]	338.3 [13.319]	OMIT ③	244.5 [9.626]	202.9 [7.988]	69.6 [2.74]	OMIT	⑬
497-3542-25	ZB21KQ/KQE *** 558	386.4 [15.213]	360.9 [14.209]	OMIT ③	264.4 [10.409]	222.8 [8.772]	64.89 [2.55]	OMIT	⑬
497-3542-26	ZB26KQ/KQE *** 558	400.8 [15.75]	372.9 [14.68]	OMIT ③	277.1 [10.91]	235.5 [9.27]	77.63 [3.06]	OMIT	⑬
497-3542-27	ZB29KQ/KQE *** 558	417.8 [16.45]	389.9 [15.35]	OMIT ③	294.1 [11.58]	252.5 [9.94]	67.4 [2.65]	OMIT	⑬
497-3542-28	ZF06K4E-***-524	368.7 [14.52]	343.1 [13.51]	279.4	243.8 [9.60]	202.2 [7.96]	OMIT	OMIT	⑬
497-3542-29	ZB29KCE	423.4 [16.67]	397.1 [15.63]	OMIT ③	293.5 [11.56]	252.0 [9.92]	74.6 [2.93]	49.1 [1.93]	⑬

- NOTES:
- ① ALL TOLERANCES ±1.5 [0.06] UNLESS OTHERWISE SPECIFIED.
 - ② DUE TO ACCUMULATED ASSEMBLY TOLERANCES THE LISTED COMPONENTS MAY VARY FROM THE MOUNTING HOLES AS SHOWN BELOW:
 - ③ SUCTION FITTING : ±3.0 [0.12] DISCHARGE FITTING: ±3.0 [0.12]
 - 2. TUBE ENDS MUST BE PLUGGED.
 - ③ INJECTION FITTING & THERMOSTAT TUBE OMITTED.
 - 4. FOR MORE INFORMATION SEE PRODUCT CATALOG.
 - 5. FULL HEIGHT OF COMPRESSOR DOES NOT INCLUDE MOUNTING SPACERS.
 - 6. MOUNTING KIT:

GROMMET DUROMETER	4 FOOT KIT
35-45	527-0116-00



③ USE COPPER CONDUCTORS ONLY. USE MINIMUM 75°C WIRE FOR AMPACITY DETERMINATION. INTERNAL MOTOR PROTECTION-ALLOW TIME FOR RESET. OVERCURRENT PROTECTION DEVICE RATING AND TYPE MUST BE IN ACCORDANCE WITH REGULATORY AGENCY END PRODUCT APPROVALS-SEE SYSTEM NAMEPLATE. CRANKCASE HEATER, WHEN APPLIED, MUST BE CONNECTED ONLY TO ITS RATED VOLTAGE. TO CORRECT IMPROPER ROTATION OF THREE PHASE MODELS, SWITCH ANY TWO SUPPLY LINES. REFER TO THE APPLICABLE SYSTEM WIRING DIAGRAM.

ECN	NO.	REV. NO.	DESCRIPTION	DATE	BY	CHKD	APPR
ECN004357	24		PICTORIALLY UPDATE FOR SIGHT GLASS FITTING	09-01-14	AMN	DC	BH
ECN006587	23		ADDED CPC IN NOTE 1 & SEE SHEET 2	02-26-13	RRP	MA	KJR
ECN001426	22		RELEASED -29	04-16-12	HWW	DC	DC
ECN003377	21		RELEASED -28	02-01-11	PJD	DC	BR
ECN001809	20		OBSOLETE -12, -13, -18 TO -22, -24 TO -27	06-26-09	FY	LZC	SX
ECN001224	19		PICTORIALLY UPDATE FOR OIL FITTING & SCHRAEDER VALVE	05-21-09	AMN	DC	BH
ECN001012	18		RELEASED INSTANCES -24 TO -27	09-09-08	AG	MY	BL
ECN000651	17		OBSOLETE -23	04-24-08	VDJ	DC	BH
ECN000609	16		RELEASED -21, -22 & UPDATED COMPRESSOR WIRING DIAGRAM	12-20-07	AG	MY	BL
ECN000651	15		RELEASED -23, UPDATED FORMAT PER PROJECT INC	10-12-07	VDJ	DC	BH
32-0806-042	14		RELEASED -18, -19 & -20	08-26-06	XZM	DC	DC
32-0406-053	13		OBSOLETE -15, -16 & -17	08-26-06	XZM	DC	DC
32-0306-056	12		OBSOLETE -09, -10 & -11	03-15-06	PJD	DC	SS
32-0406-053	11		RELEASED -15, -16 & -17	04-19-06	AMN	DC	JS
32-1005-045	10		RELEASED -14	10-26-05	YKN	CHK	DC
32-0704-030	9		REDRAWN AND REVISED	08-19-04	MMB	SPR	CHK
32-1198-023	0		RELEASED	01-11-99	AJA	DAN	



INTERPRET PER ASME Y14.5M-1994 AND EMERSON CLIMATE TECHNOLOGIES, INC. DESIGN STANDARDS DS2002 DO NOT SCALE DRAWING

CRITICAL PRODUCT CHARACTERISTIC

THIRD ANGLE PROJECTION

UNLESS OTHERWISE SPECIFIED DIMENSIONS ARE MILLIMETER OR (INCH)

TOLERANCES:
1-PLACE ± 0.1
2-PLACE ± 0.05
ANGULAR ± 0.5°

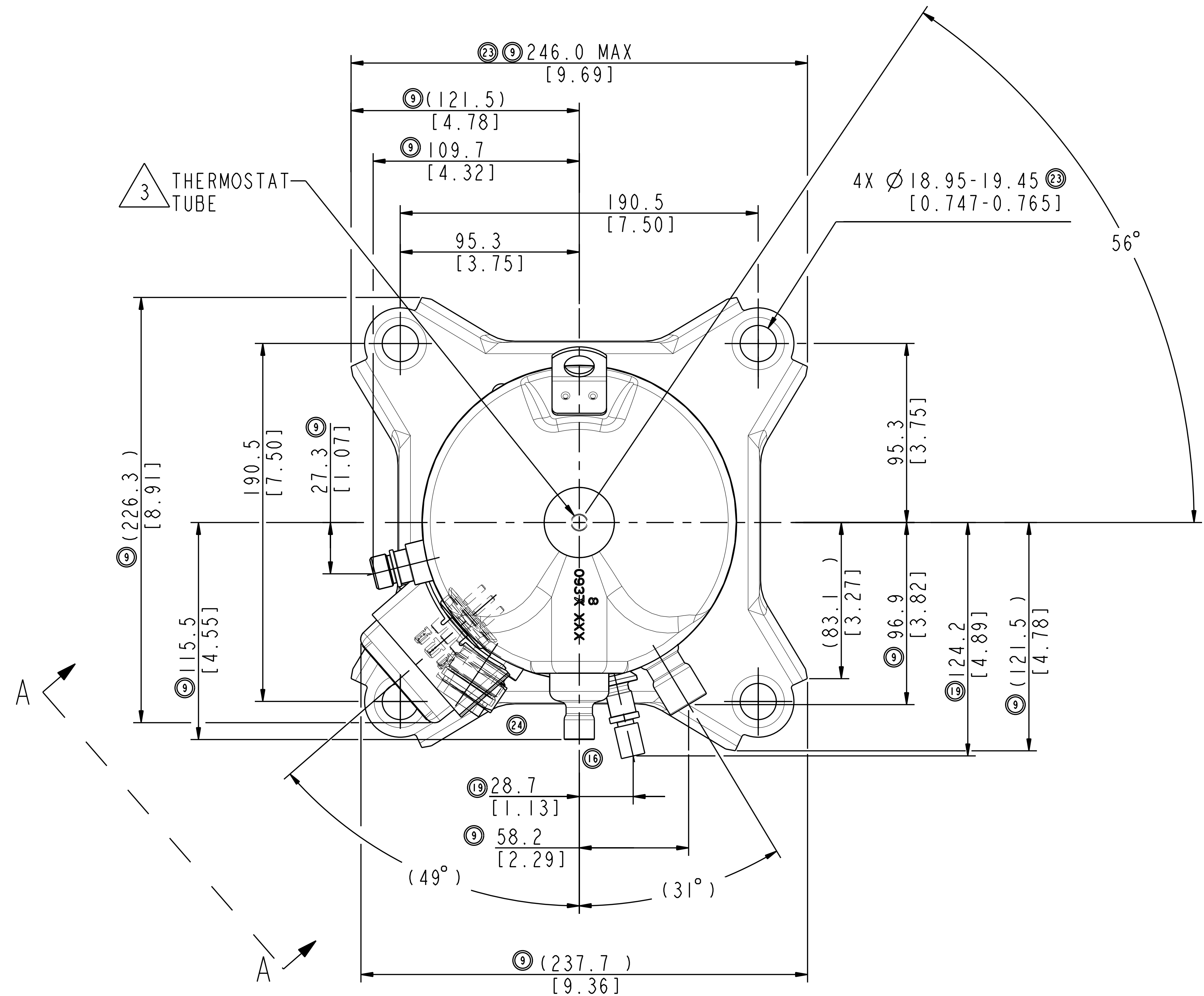
10 THIS DRAWING AND INFORMATION CONTAINED HEREIN ARE THE EXCLUSIVE PROPERTY OF EMERSON CLIMATE TECHNOLOGIES, INC. AND SHALL BE RETURNED UPON DEMAND AND SHALL NOT BE REPRODUCED IN WHOLE OR IN PART, DISCLOSED TO ANYONE ELSE OR USED, WITHOUT THE WRITTEN CONSENT OF EMERSON CLIMATE TECHNOLOGIES, INC.

MATERIAL SPECIFICATION: N/A

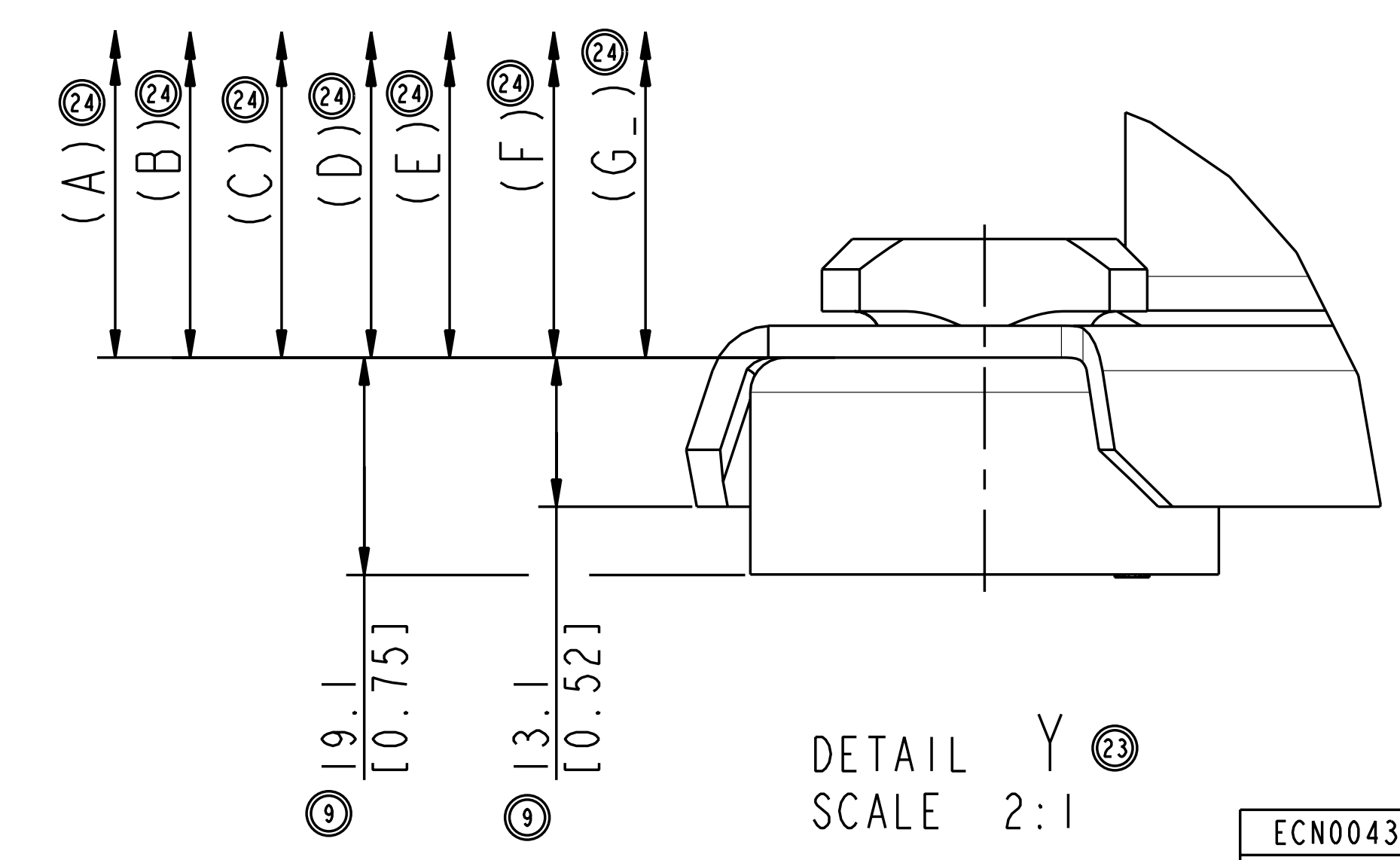
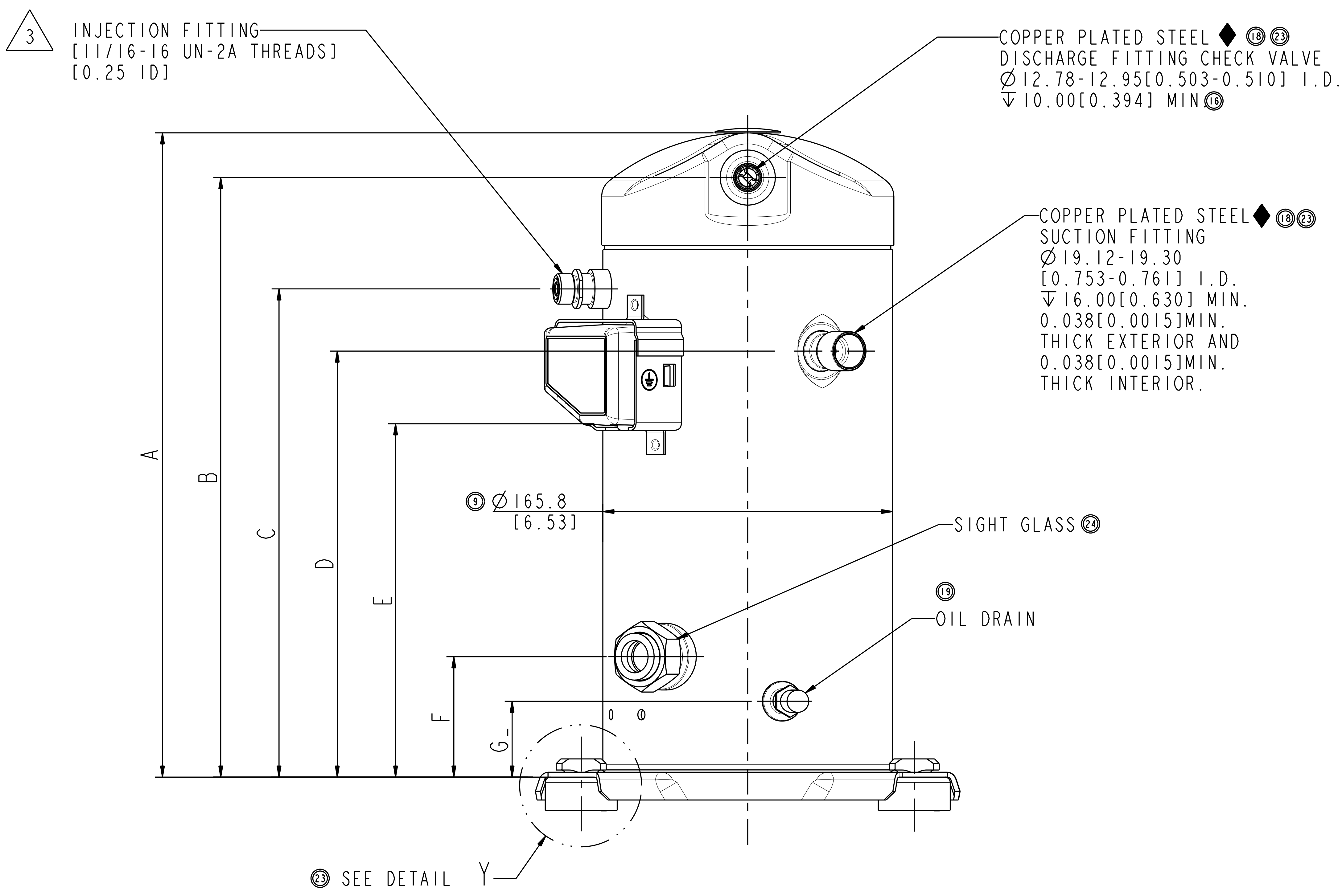
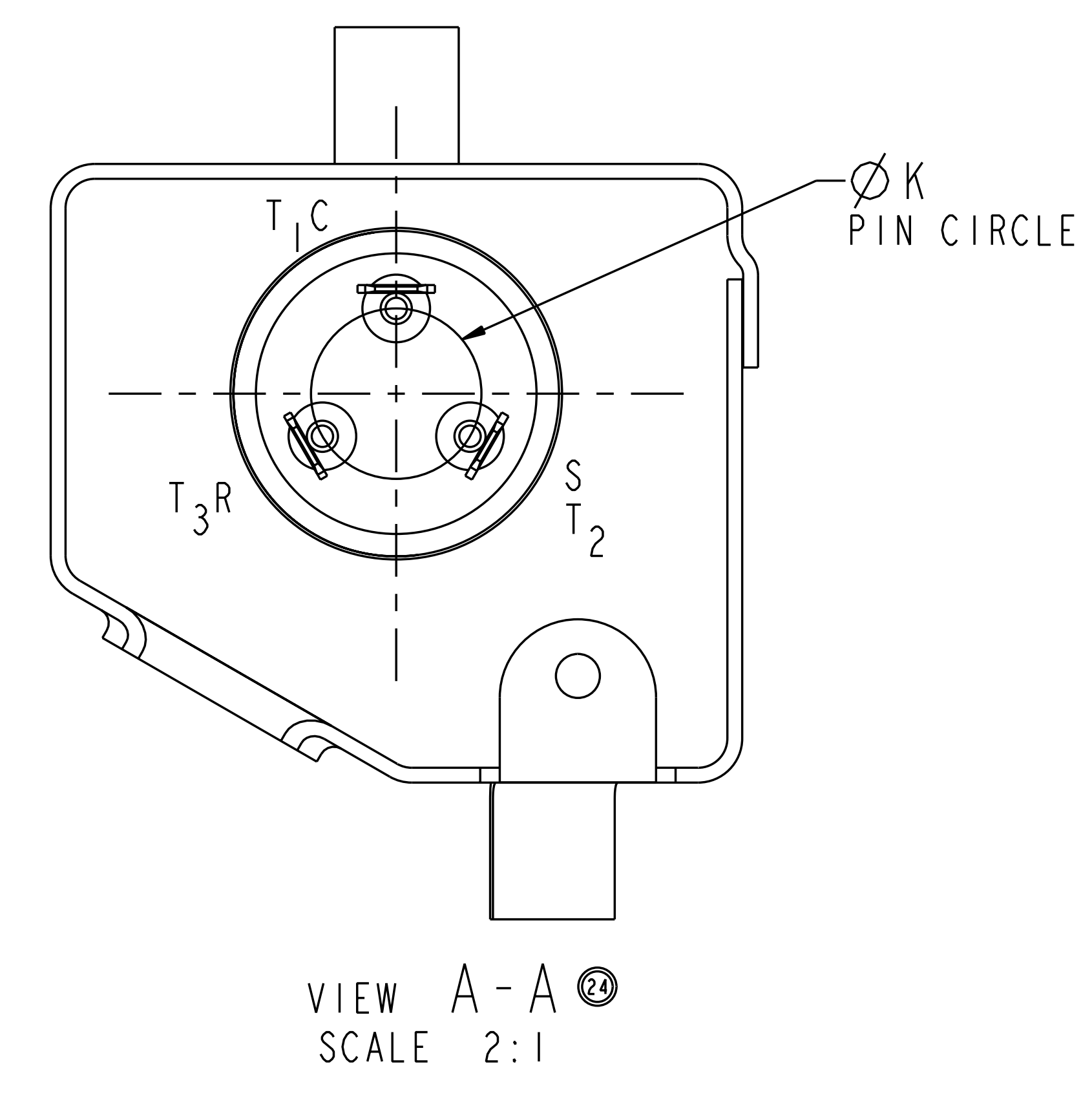
DRAWN BY: MMB
DATE: 08-19-04

SUPERSEDES DWG. NO. / REV. NO.: 497-3542-00 / 8
SCALE: 3:4
DATE FORMAT: MM-DD-YY

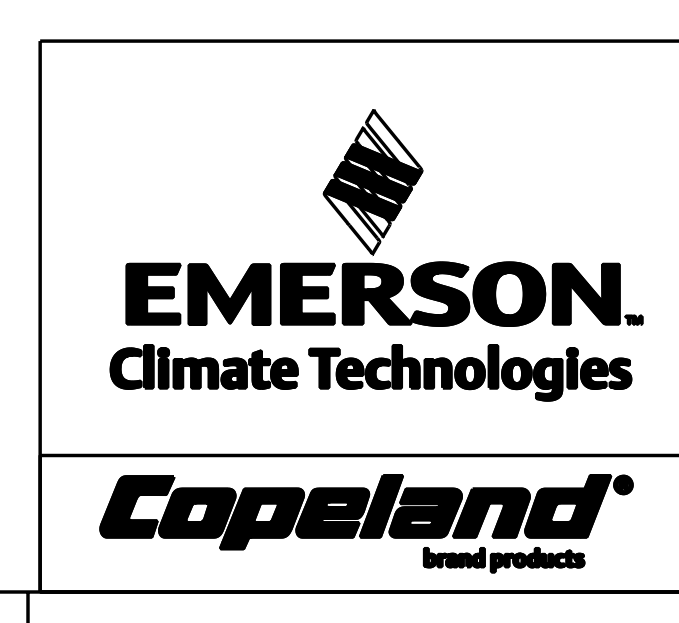
TITLE: REF DWG-WELD COMP ASSM
DRAWING NUMBER: 497-3542-00
SHEET 1 OF 3



MOTOR TYPE	Ø K PIN CIRCLE
PFJ PFV TF5	13.46 [0.530]
TFD TFE	17.45 [0.687]



ECN	REV	DESCRIPTION	DATE	BY	CHKD	APPR
ECN004357	24	PICTORIALLY UPDATE FOR SIGHT GLASS FITTING	09-01-14	AMN	DC	BH
ECN006587	23	REVISED DIMENSIONS & SEE SHEET I	02-26-13	RRP	MA	KJR
ECN001426	22	SEE SHEET I	04-16-12	HWW	DC	DC
ECN003377	21	SEE SHEET I	02-01-11	PJD	DC	BR
ECN001809	20	SEE SHEET I	06-26-09	FY	LZC	SX
ECN001224	19	PICTORIALLY UPDATE FOR OIL FITTING & SCHRAIDER VALVE	05-21-09	AMN	DC	BH
ECN001012	18	ADDED CPC SYMBOL	09-09-08	AG	MY	BL
ECN000651	17	SEE SHEET I	04-24-08	VDJ	DC	BH
ECN000609	16	RELEASED -21, -22 & CHANGE FITTING VALVE	12-20-07	AG	MY	BL
ECN000651	15	SEE SHEET I	10-12-07	VDJ	DC	BH
32-0806-042	14	SEE SHEET I	08-26-06	XZM	DC	DC
32-0406-053	13	SEE SHEET I	08-26-06	XZM	DC	DC
32-0306-056	12	SEE SHEET I	03-15-06	PJD	DC	SS
32-0406-053	11	SEE SHEET I	04-19-06	AMN	DC	JS
32-1005-045	10	RELEASED -14	10-26-05	YKN	CHK	DC
32-0704-030	9	REDRAWN AND REVISED	08-19-04	MMB	SPR	CHK
32-1198-023	0	RELEASED	01-11-99	AJA	DAN	



INTERPRET PER ASME Y14.5M-1994 AND EMERSON CLIMATE TECHNOLOGIES, INC. DESIGN STANDARDS DS2002 DO NOT SCALE DRAWING

THIRD ANGLE PROJECTION

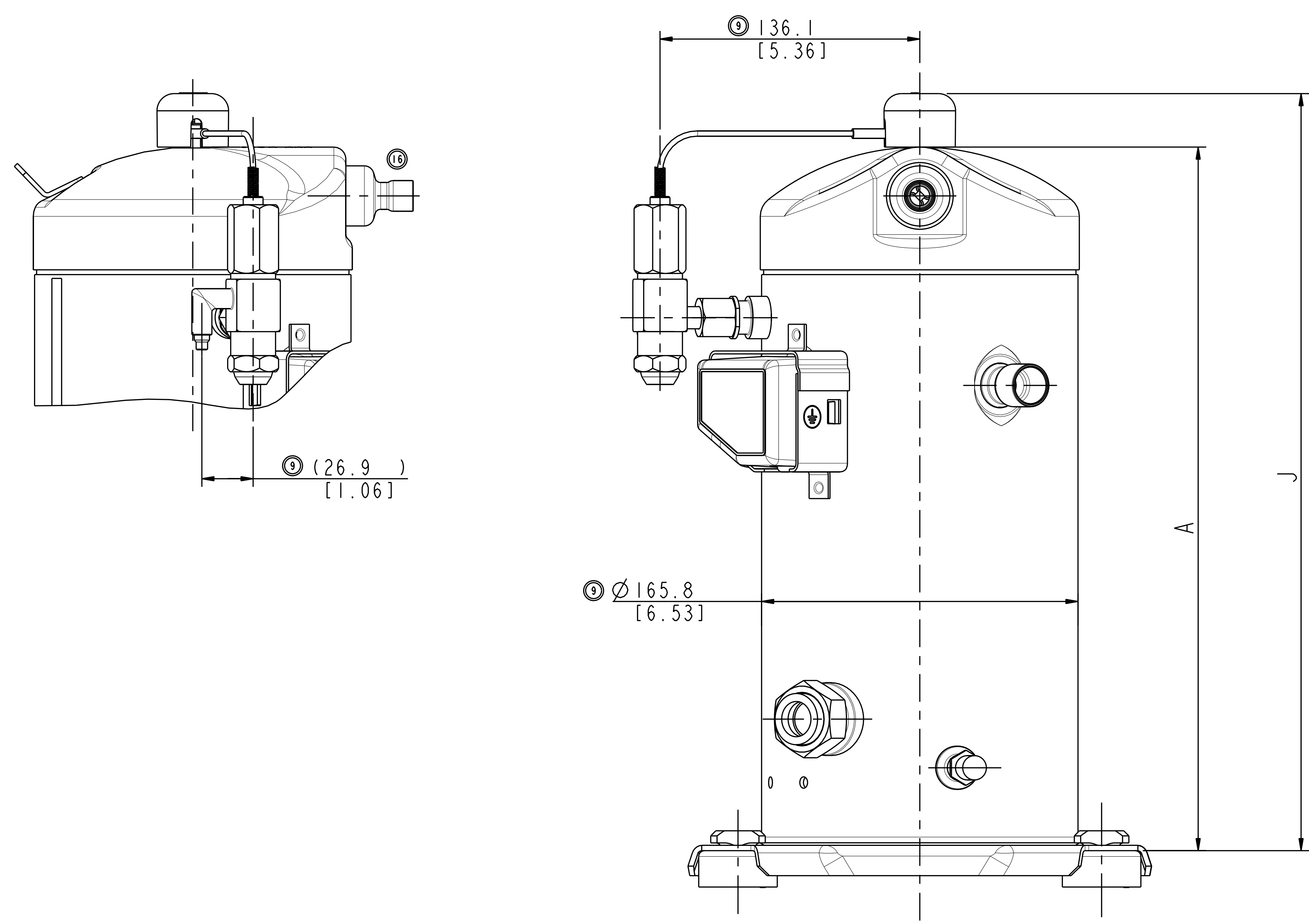
CRITICAL PRODUCT CHARACTERISTIC

UNLESS OTHERWISE SPECIFIED DIMENSIONS ARE MILLIMETER OR (INCH)

TOLERANCES:
1-PLACE ± 0.1
2-PLACE ± 0.5°
ANGULAR ± 0.5°

10	THIS DRAWING AND INFORMATION CONTAINED HEREIN ARE THE EXCLUSIVE PROPERTY OF EMERSON CLIMATE TECHNOLOGIES, INC. AND SHALL BE RETURNED UPON DEMAND AND SHALL NOT BE REPRODUCED IN WHOLE OR IN PART, DISCLOSED TO ANYONE ELSE OR USED, WITHOUT THE WRITTEN CONSENT OF EMERSON CLIMATE TECHNOLOGIES, INC.					
ENG NOTICE NO.	REV. NO.	REVISIONS	DATE	BY	CHKD	APPR
MATERIAL SPECIFICATION		CONFIDENTIALITY NOTICE				
N/A		THIS DRAWING AND INFORMATION CONTAINED HEREIN ARE THE EXCLUSIVE PROPERTY OF EMERSON CLIMATE TECHNOLOGIES, INC. AND SHALL BE RETURNED UPON DEMAND AND SHALL NOT BE REPRODUCED IN WHOLE OR IN PART, DISCLOSED TO ANYONE ELSE OR USED, WITHOUT THE WRITTEN CONSENT OF EMERSON CLIMATE TECHNOLOGIES, INC.				
DRAWN BY		SUPERSEDES DWG. NO. / REV. NO.		DATE		
MMB		497-3542-00 / 8		DATE		
08-19-04		SCALE		DATE FORMAT		
		3:4		MM-DD-YY		
TITLE		DRAWING NUMBER		SHEET 2 OF 3		
REF DWG-WELD COMP ASSM		497-3542-00		5		
				SIZE		

PART NO. ⑬	MODEL NUMBER	A±3.0	J±3.0 ⑨
497-3542-00	ZF06K4E	368.7 [14.52]	396.7 [15.62]
497-3542-01	ZF09K4E ZF08K4E	391.3 [15.41]	419.3 [16.51]
497-3542-02	ZF11K4E	405.0 [15.94]	433.0 [17.05]



ECN	REV. NO.	DESCRIPTION	DATE	BY	CHKD	APPR
ECN004357	24	PICTORIALLY UPDATE FOR SIGHT GLASS FITTING	09-01-14	AMN	DC	BH
ECN006587	23	SEE SHEET 1 & 2	02-26-13	RRP	MA	KJR
ECN001426	22	SEE SHEET 1	04-16-12	HWW	DC	DC
ECN003377	21	SEE SHEET 1	02-01-11	PJD	DC	BR
ECN001809	20	SEE SHEET 1	06-26-09	FY	SX	LZC
ECN001224	19	PICTORIALLY UPDATE FOR OIL FITTING & SCHRAEDER VALVE	05-21-09	AMN	DC	BH
ECN001012	18	SEE SHEET 1	09-09-08	AG	MY	BL
ECN000651	17	SEE SHEET 1	04-24-08	VDJ	DC	BH
ECN000609	16	RELEASED -21-,22 & CHANGE FITTING VALVE	12-20-07	AG	MY	BL
ECN000651	15	SEE SHEET 1	10-12-07	VDJ	DC	BH
32-0806-042	14	SEE SHEET 1	08-26-06	XZM	DC	DC
32-0406-053	13	SEE SHEET 1	08-26-06	XZM	DC	DC
32-0306-056	12	SEE SHEET 1	03-15-06	PJD	DC	SS
32-0406-053	11	SEE SHEET 1	04-19-06	AMN	DC	JS
32-1005-045	10	RELEASED -14	10-26-05	YKN	CHK	DC
32-0704-030	9	REDRAWN AND REVISED	08-19-04	MMB	SPR	CHK
32-1198-023	0	RELEASED	01-11-99	AJA	DAN	



INTERPRET PER ASME Y14.5M-1994 AND EMERSON CLIMATE TECHNOLOGIES, INC. DESIGN STANDARDS DS2002 DO NOT SCALE DRAWING

THIRD ANGLE PROJECTION

CRITICAL PRODUCT CHARACTERISTIC

UNLESS OTHERWISE SPECIFIED DIMENSIONS ARE MILLIMETER OR (INCH)

TOLERANCES:
1-PLACE ± 0.1
2-PLACE ± 0.2
ANGULAR ± 0.5°

ENG NOTICE NO.	REV. NO.	REVISIONS	DATE	BY	CHKD	APPR
10		THIS DRAWING AND INFORMATION CONTAINED HEREIN ARE THE EXCLUSIVE PROPERTY OF EMERSON CLIMATE TECHNOLOGIES, INC. AND SHALL BE RETURNED UPON DEMAND AND SHALL NOT BE REPRODUCED IN WHOLE OR IN PART, DISCLOSED TO ANYONE ELSE OR USED, WITHOUT THE WRITTEN CONSENT OF EMERSON CLIMATE TECHNOLOGIES, INC.				

MATERIAL SPECIFICATION		DRAWN BY		SUPERSEDES DWG. NO. / REV. NO.	
N/A		MMB	497-3542-00	/	8
		DATE	SCALE	DATE FORMAT:	
		08-19-04	3:4	MM-DD-YY	

TITLE	DRAWING NUMBER	SHEET 3 OF 3	DWG SIZE
REF DWG-WELD COMP ASSM	497-3542-00		5