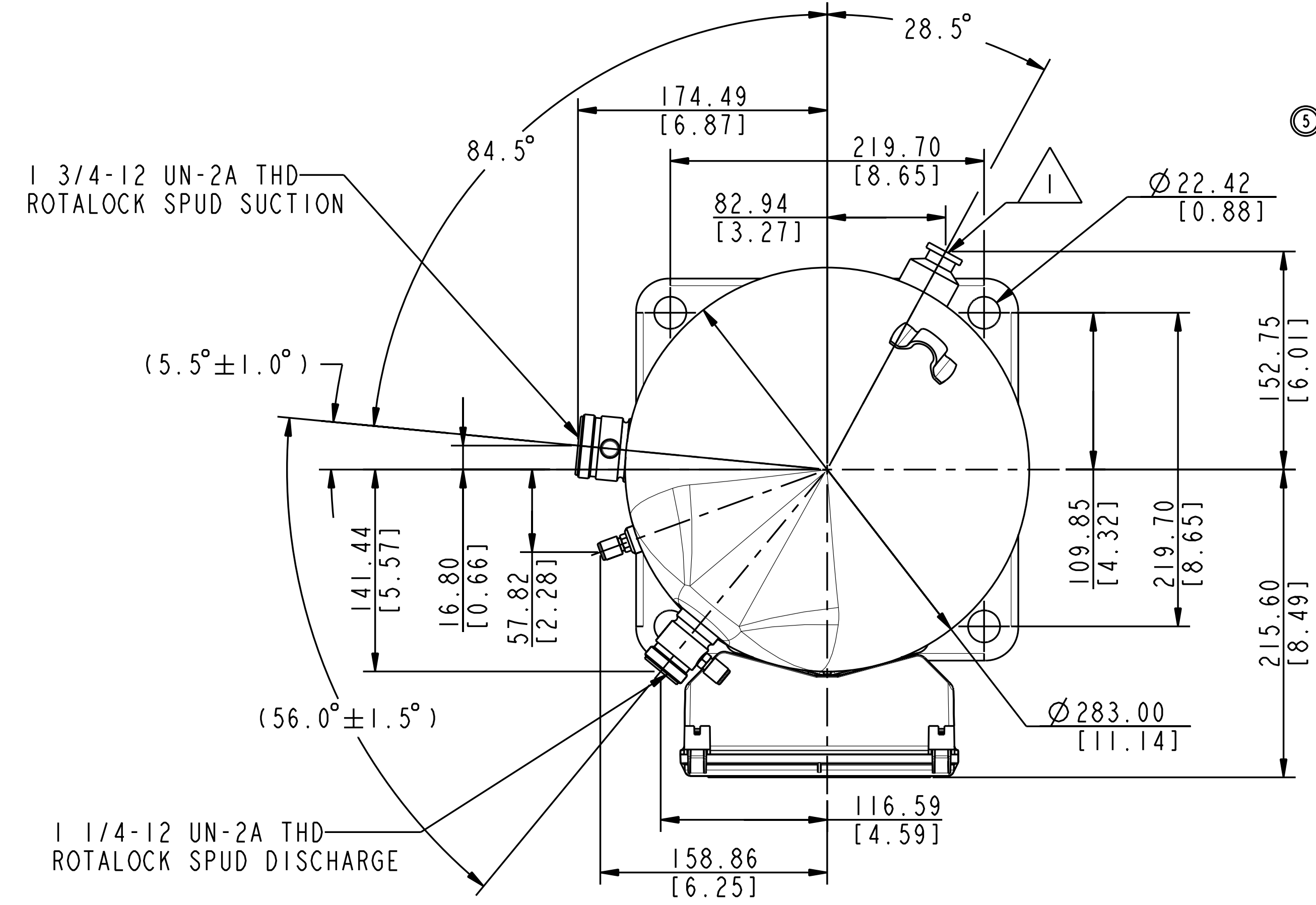


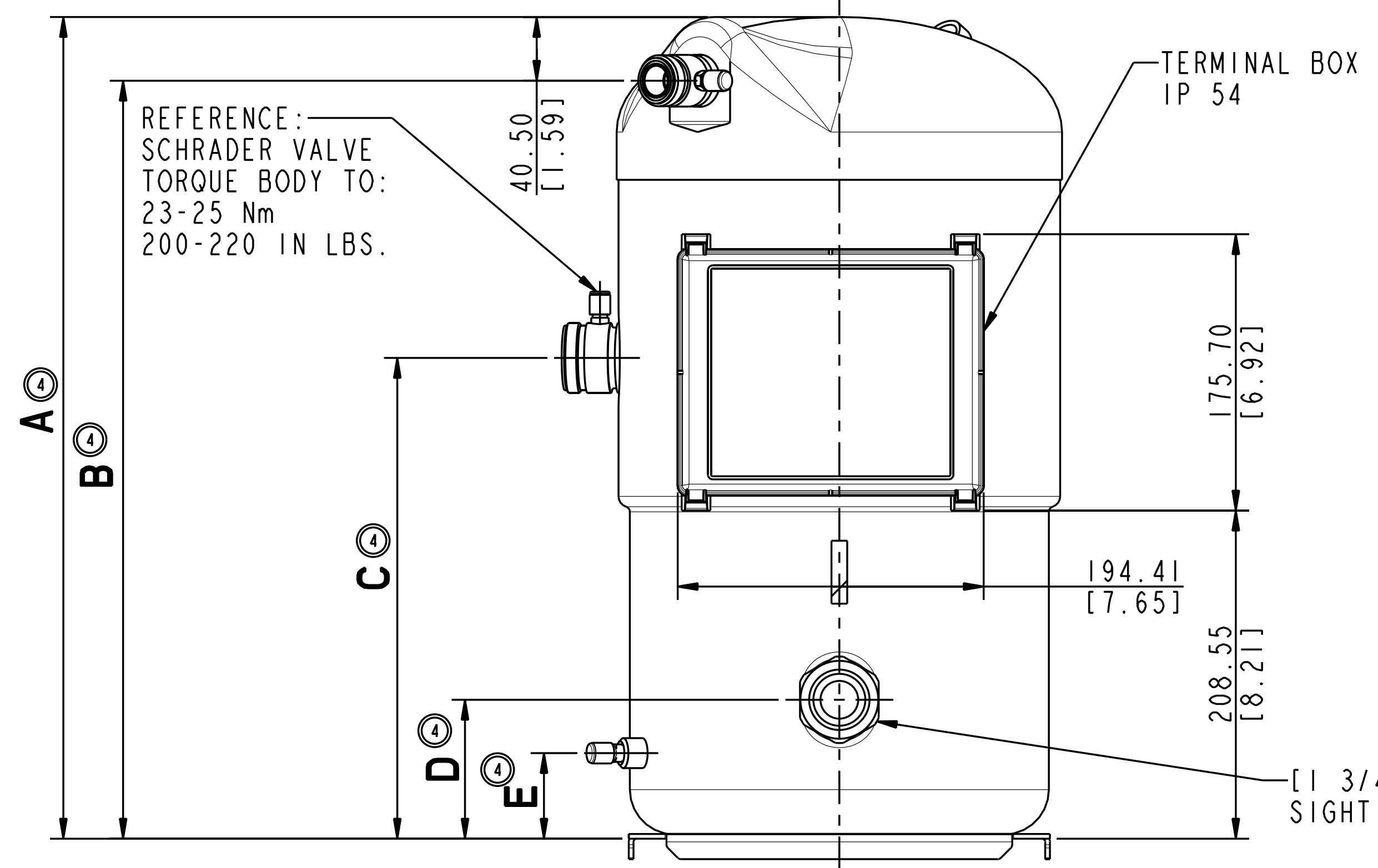
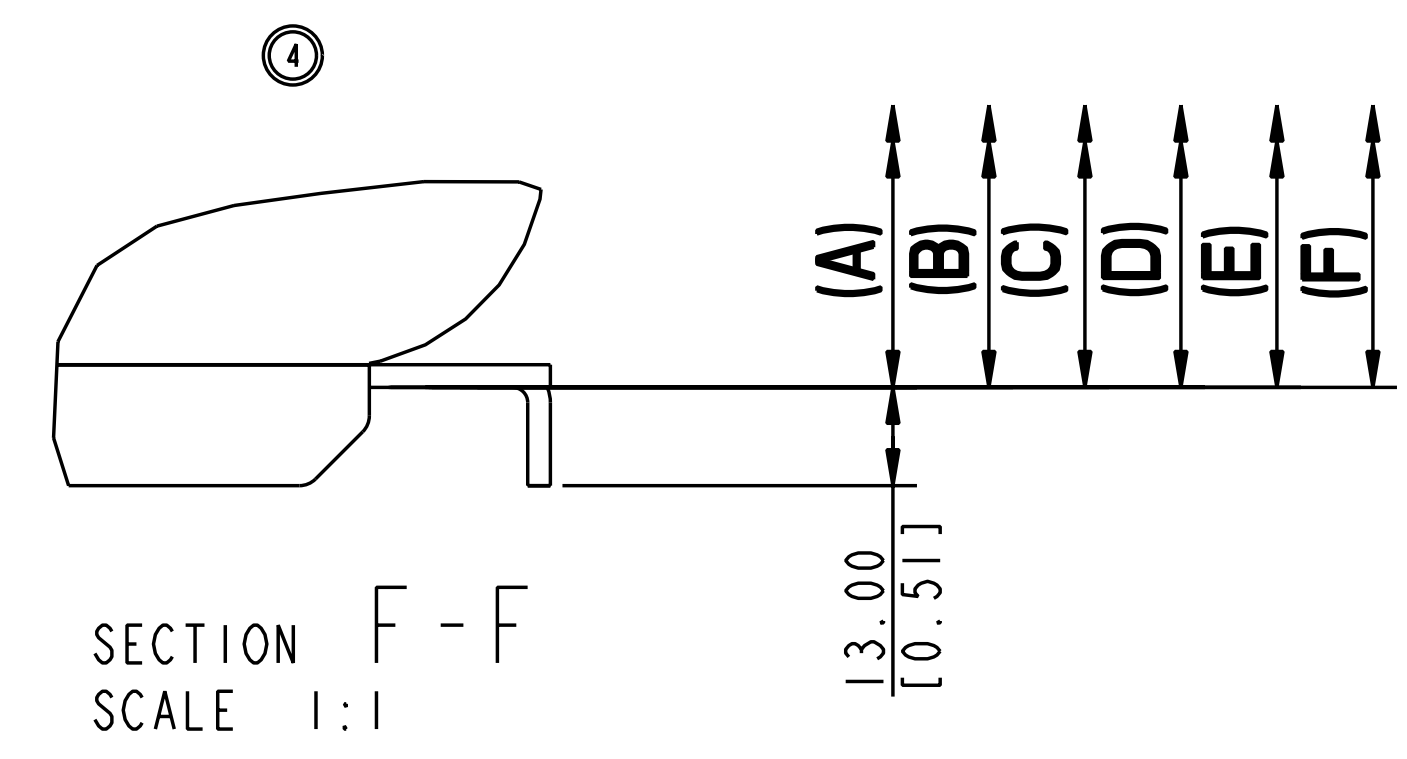
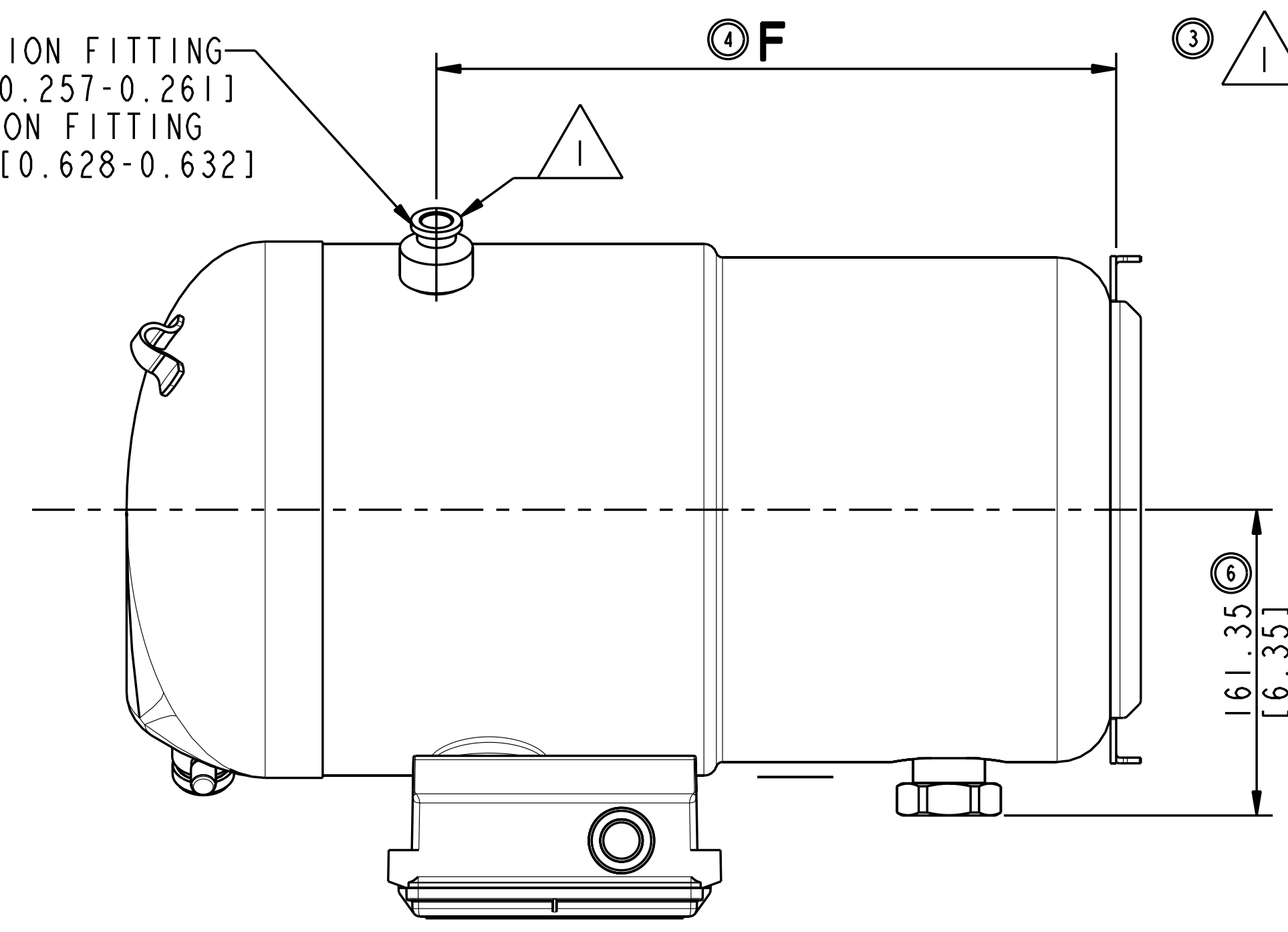
PART NO.	MODEL NO.	A	B	C	D	E	F
497-0345-00	ZF24 - ZF33	524.80	484.30	305.60	88.40	54.50	358.80
497-0345-01	ZS56 - ZS75	524.80	484.30	305.60	88.40	54.50	OMIT
497-0345-02	ZF40	532.40	491.90	305.60	88.40	54.50	366.40
497-0345-03	ZS92	532.40	491.89	305.60	88.40	54.50	OMIT
497-0345-04	ZF24/33KV	524.80	484.30	305.60	88.40	54.50	358.80
497-0345-05	ZF40KV	532.40	491.90	305.60	88.40	54.50	366.40

SPECIFICATIONS	
ES NO.	DESCRIPTION
ES22-122	PACKAGING
ES81-159	CLEANLINESS
ES81-250	IDENTIFICATION
ES92-155	CONVERSION-METRIC
ES92-167	REGULATORY COMPLIANCE

NOTES:
 ① LIQUID/VAPOR INJECTION FOR ZF MODELS ONLY.

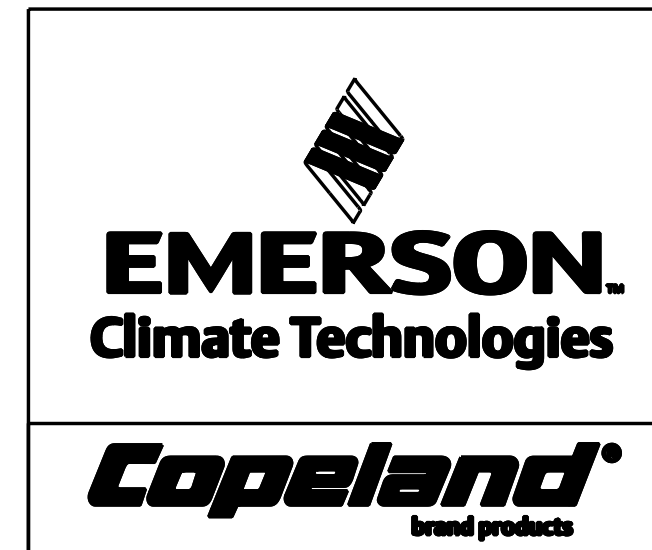


⑤ ③ LIQUID INJECTION FITTING
 Ø6.52-6.62 [0.257-0.261]
 VAPOR INJECTION FITTING
 Ø15.95-16.05[0.628-0.632]



ENG NOTICE NO.	REV. NO.	REVISIONS	DATE	BY	CHKD	APPR
ECN005286	7	REINSTATED -00 THRU -03	05-03-12	JS	MD	VC
ECN005286	6	CHANGED SIGHT GLASS; REVIEWED DIM & OBS -00 THRU -03	03-22-12	JS	MD	VC
32-1105-068	5	PICTORIAL UPDATE FOR LIQUID INJ FITTING	11-20-07	VDJ	DC	NM
32-0107-001	4	ADD SECTION + DIMENSIONS, CHANGE + REPLACE TABLES	01-03-07	JU	NM	NM
32-1106-011	3	REDRAWN AND RELEASED -04/05	11-04-06	JYU	NM	NM
32-0101-058	0	RELEASED	01-02-91	PMM	SBM	CHK

CONFIDENTIALITY NOTICE			
THIS DRAWING AND INFORMATION CONTAINED HEREIN ARE THE EXCLUSIVE PROPERTY OF EMERSON CLIMATE TECHNOLOGIES, INC. AND SHALL BE RETURNED UPON DEMAND AND SHALL NOT BE REPRODUCED IN WHOLE OR IN PART, DISCLOSED TO ANYONE ELSE OR USED, WITHOUT THE WRITTEN CONSENT OF EMERSON CLIMATE TECHNOLOGIES, INC.			
MATERIAL SPECIFICATION	DRAWN BY	SUPERSEDES DWG. NO. / REV. NO.	
N/A	JYU	497-0345-00 / 02	
	DATE	SCALE	DATE FORMAT:
	11-04-06	3:8	MM-DD-YY
TITLE	DRAWING NUMBER	SHEET 1 OF 2	DWG
REF DWG-WELD COMP ASSM	497-0345-00		4



INTERPRET PER ASME Y14.5M-1994 AND EMERSON CLIMATE TECHNOLOGIES, INC. DESIGN STANDARDS DS2002. DO NOT SCALE DRAWING.

THIRD ANGLE PROJECTION

CRITICAL PRODUCT CHARACTERISTIC

UNLESS OTHERWISE SPECIFIED DIMENSIONS ARE MILLIMETER OR (INCH)

TOLERANCES:
 1-PLACE ± N/A
 2-PLACE ± N/A
 ANGULAR ± N/A

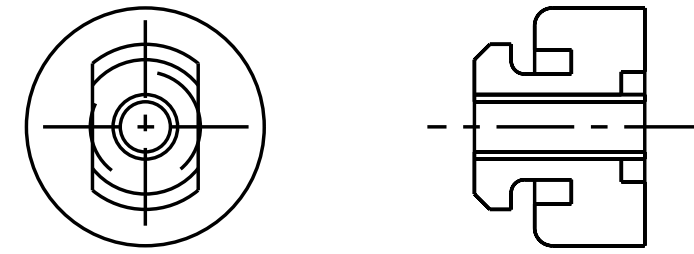
COPYRIGHT EMERSON CLIMATE TECHNOLOGIES, INC. - CONFIDENTIAL

NOTES:

1 ALL TOLERANCES ± 1.5 UNLESS OTHERWISE SPECIFIED.

2. MOUNTING KIT:

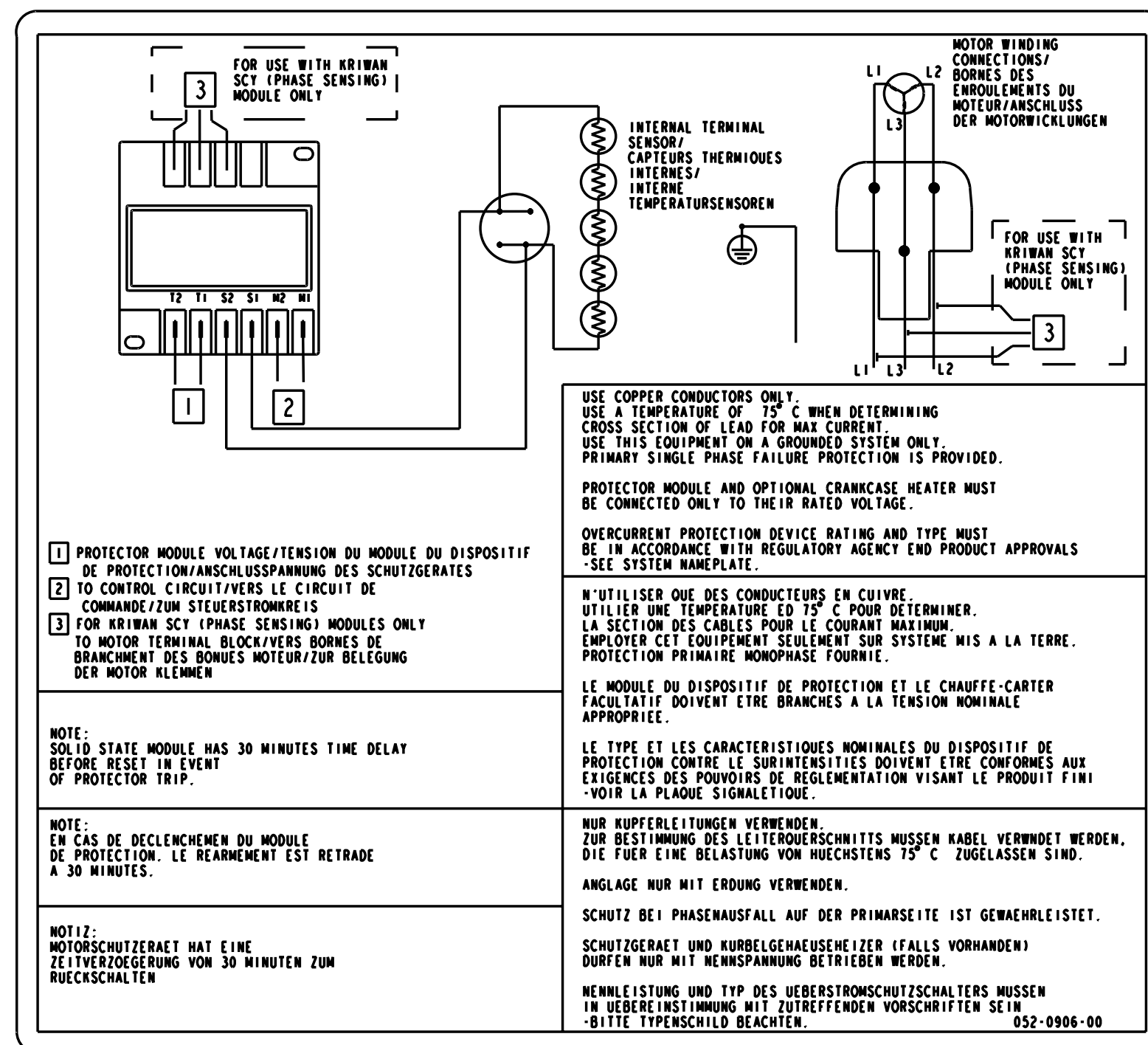
GROMMET DUROMETER	4 FOOT KIT	SE CODE
-	527-0168-00	553
60-70 D	527-0159-00	551



3. TUBE ENDS MUST BE SEALED.

DUE TO ACCUMULATED ASSEMBLY TOLERANCES THE LISTED COMPONENTS MAY VARY FROM THE MOUNTING HOLES AS TABULATED

SUCTION FITTING	± 3.0 [0.12]
DISCHARGE FITTING	± 3.0 [0.12]
VAPOR INJECTION	± 3.0 [0.12]



- 1] PROTECTOR MODULE VOLTAGE/TENSION DU MODULE DU DISPOSITIF DE PROTECTION/ANSCHLUSSPANNUNG DES SCHUTZGERATES
- 2] TO CONTROL CIRCUIT/VERS LE CIRCUIT DE COMMANDE/ZUM STEUERSTROMKREIS
- 3] FOR KRIMAN SCT (PHASE SENSING) MODULES ONLY TO MOTOR TERMINAL BLOCK/VERS BORNES DE BRANCHMENT DES BORNES MOTEUR/ZUR BELEGUNG DER MOTOR KLEMMEN

NOTE: SOLID STATE MODULE HAS 30 MINUTES TIME DELAY BEFORE RESET IN EVENT OF PROTECTOR TRIP.

NOTE: EN CAS DE DECLENCHEMENT DU MODULE DE PROTECTION, LE REARMEMENT EST RETRADE A 30 MINUTES.

NOTIZ: MOTORSCHUTZGERAT HAT EINE ZEITVERZÖGERUNG VON 30 MINUTEN ZUM RUECKSCHALTEN

USE COPPER CONDUCTORS ONLY. USE A TEMPERATURE OF 75° C WHEN DETERMINING CROSS SECTION OF LEAD FOR MAX CURRENT. USE THIS EQUIPMENT ON A GROUNDED SYSTEM ONLY. PRIMARY SINGLE PHASE FAILURE PROTECTION IS PROVIDED. PROTECTOR MODULE AND OPTIONAL CRANKCASE HEATER MUST BE CONNECTED ONLY TO THEIR RATED VOLTAGE. OVERCURRENT PROTECTION DEVICE RATING AND TYPE MUST BE IN ACCORDANCE WITH REGULATORY AGENCY END PRODUCT APPROVALS - SEE SYSTEM NAMEPLATE.

N'UTILISER QUE DES CONDUCTEURS EN CUIVRE. UTILISER UNE TEMPERATURE DE 75° C POUR DETERMINER LA SECTION DES CABLES POUR LE COURANT MAXIMUM. EMPLOYER CET EQUIPEMENT SEULEMENT SUR SYSTEME MIS A LA TERRE. PROTECTION PRIMAIRE MONOPHASE FOURNIE.

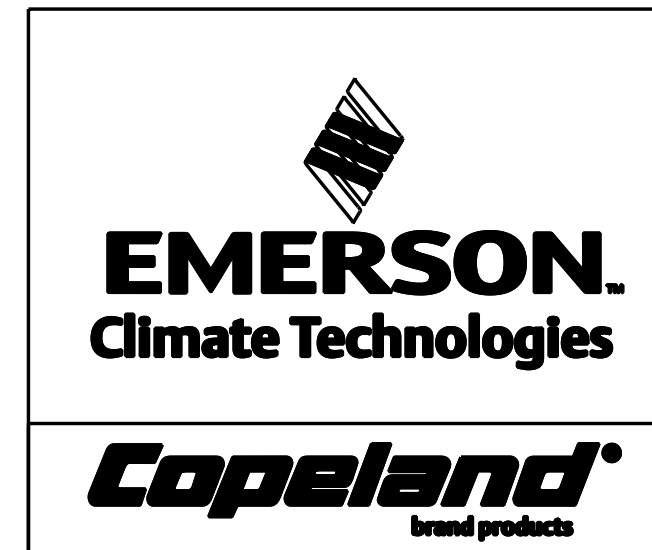
LE MODULE DU DISPOSITIF DE PROTECTION ET LE CHAUFFE-CARTER FACULTATIF DOIVENT ETRE BRANCHEES A LA TENSION NOMINALE APPROPRIEE.

LE TYPE ET LES CARACTERISTIQUES NOMINALES DU DISPOSITIF DE PROTECTION COMME LE SURINTERDITES DOIVENT ETRE CONFORMES AUX EXIGENCES DES POUVOIRS DE REGLEMENTATION VISANT LE PRODUIT FINI - VOIR LA PLAQUE SIGNALÉTIQUE.

NUR KUPFERLEITUNGEN VERWENDEN. ZUR BESTIMMUNG DES LEITEROERSCHNITTS MÜSSEN KABEL VERMIDET WERDEN, DIE FUER EINE BELASTUNG VON HUECHSTENS 75° C ZUGELASSEN SIND. ANLAGE NUR MIT ERDUNG VERWENDEN. SCHUTZ BEI PHASENAUSFALL AUF DER PRIMARSEITE IST GEWAEHRLEISTET. SCHUTZGERAET UND KURBELGEHAUSEHEIZER (FALLS VORHANDEN) DÜRFEN NUR MIT NENNSPANNUNG BETRIEBEN WERDEN.

WENNLEISTUNG UND TYP DES UEBERSTROMSCHUTZSCHALTERS MÜSSEN IN ÜBEREINSTIMMUNG MIT ZUTREFFENDEN VORSCHRIFTEN SEIN - BITTE TYPENSCHILD BEACHTEN. 052-0906-00

ENG NOTICE NO.	REV. NO.	REVISIONS	DATE	BY	CHKD	APPR
ECN005286	7	SEE SHEET 1	05-08-12	JS	MD	VC
ECN005286	6	SEE SHEET 1	03-22-12	JS	MD	VC
32-1105-068	5	SEE SHEET 1	11-20-07	VDJ	DC	NM
32-0107-001	0	RELEASE SHEET 2	01-03-07	JU	NM	NM



INTERPRET PER ASME Y14.5M-1994 AND EMERSON CLIMATE TECHNOLOGIES, INC. DESIGN STANDARDS DS2002. DO NOT SCALE DRAWING.

THIRD ANGLE PROJECTION

CRITICAL PRODUCT CHARACTERISTIC

UNLESS OTHERWISE SPECIFIED DIMENSIONS ARE MILLIMETER OR (INCH) TOLERANCES:
 1-PLACE ± 0.4
 2-PLACE ± 0.15
 ANGULAR $\pm 0.5^\circ$

CONFIDENTIALITY NOTICE			
THIS DRAWING AND INFORMATION CONTAINED HEREIN ARE THE EXCLUSIVE PROPERTY OF EMERSON CLIMATE TECHNOLOGIES, INC. AND SHALL BE RETURNED UPON DEMAND AND SHALL NOT BE REPRODUCED IN WHOLE OR IN PART, DISCLOSED TO ANYONE ELSE OR USED, WITHOUT THE WRITTEN CONSENT OF EMERSON CLIMATE TECHNOLOGIES, INC.			
MATERIAL SPECIFICATION	DRAWN BY	SUPERSEDES DWG. NO. / REV. NO.	
N/A	JU	497-0345-00 / 02.	
	DATE	SCALE	DATE FORMAT:
	01-03-07	3:8	MM-DD-YY
TITLE	DRAWING NUMBER	SHEET 2 OF 2	DWG
REF DWG-WELD COMP ASSM	497-0345-00		4
			SIZE

UNCONTROLLED - DO NOT MODIFY

©COPYRIGHT EMERSON CLIMATE TECHNOLOGIES, INC. - CONFIDENTIAL