

MODEL NUMBER
ZR19M3
ZR19M3E
ZR180KCE

SPECIFICATIONS	
ES NO.	DESCRIPTION
ES92-155	CONVERSION-METRIC
ES81-121	TORQUE SPEC

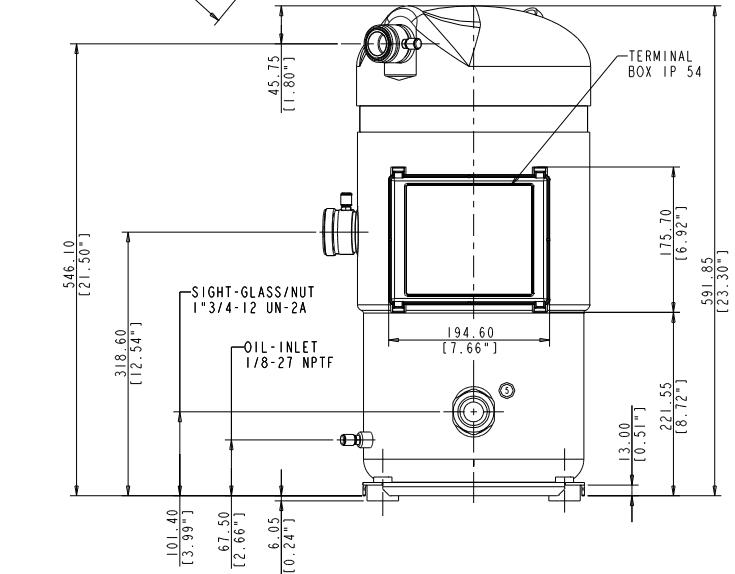
DUE TO ACCUMULATED ASSEMBLY TOLERANCES THE LISTED COMPONENTS MAY VARY FROM THE MOUNTING HOLES AS TABULATED.

SUCTION FITTING	±3.0 [0.12]
DISCHARGE FITTING	±3.0 [0.12]

NOTES:

- ALL DIMENSIONS IN MILLIMETERS AND DEGREES. (DIMENSIONS IN INCHES)
- ALL TOLERANCES ±1.5 UNLESS OTHERWISE SPECIFIED.
- MOUNTING KIT:

GROMMET DUROMETER	4 FOOT KIT
60-70	527-0159-00
- TUBE ENDS MUST BE SEALED.



EMERSON
Climate Technologies

Copeland
Emerson Climate Technologies

INTERPRET PER ASME Y14.5M-1994 AND Y14.5-2002
EMERSON CLIMATE TECHNOLOGIES, INC. DESIGN STANDARDS 022002
DO NOT SCALE DRAWINGS
THIRD ANGLE PROJECTION

UNLESS OTHERWISE SPECIFIED DIMENSIONS ARE MILLIMETER OR (INCH) TOLERANCES:
1-PLACE ± 0.13 [0.005]
2-PLACE ± 0.13 [0.005]
ANGULAR ± 0.13 [0.005]

ECN/NO	REV. NO.	DESCRIPTION	DATE	BY	CHKD	APPR
ECN002343	5	UPDATED PICTORIALLY (SIGHT GLASS)	03-23-10	JS	VC	VC
34-0606-019	4	LOGO BOCK & SPECS REMOVED	08-28-07	SUP	BF	CHK
32-0506-061	3	REDRAWN AND REVISED	05-15-06	R. I.	NM	NM
32-0399-702	0	RELEASED	05-18-99	M. W.	NM	NM

ENG NOTICE NO. REV. NO.

CONFIDENTIALITY NOTICE
THIS DRAWING AND INFORMATION CONTAINED HEREIN ARE THE EXCLUSIVE PROPERTY OF EMERSON CLIMATE TECHNOLOGIES, INC. AND SHALL BE RETURNED UPON DEMAND AND SHALL NOT BE REPRODUCED IN WHOLE OR IN PART DISCLOSED TO ANYONE ELSE OR USED, WITHOUT THE WRITTEN CONSENT OF EMERSON CLIMATE TECHNOLOGIES, INC.

MATERIAL SPECIFICATION	DRAWN BY M. W.	SUPERSEDES DWG. NO. / REV. NO.
	DATE 09-09-02	SCALE 1:1
		DATE FORMAT: MM-DD-YY

TITLE: REF-COMPRESSOR ASSM

DRAWING NUMBER: 497-3558-00

SHEET 1 OF 1