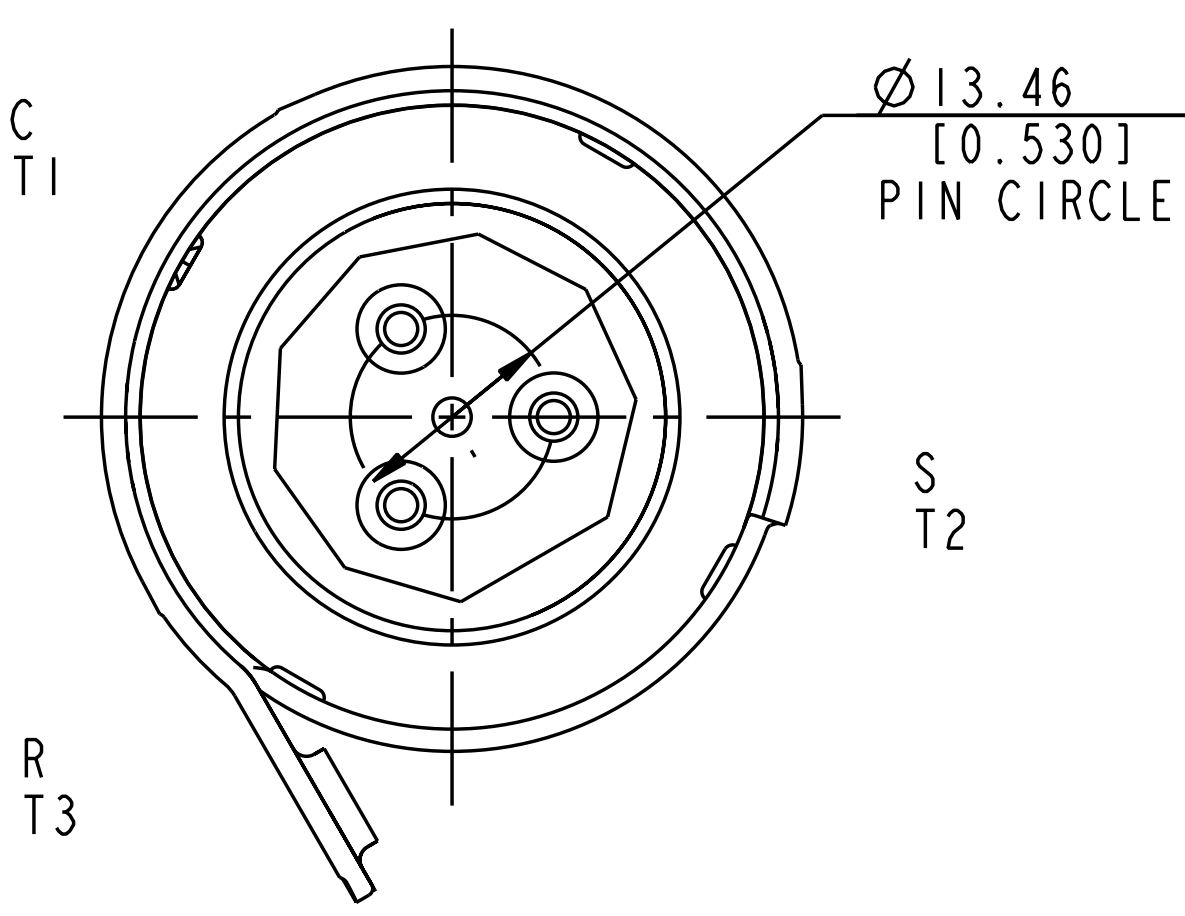


DETAIL Y
SCALE 3:2



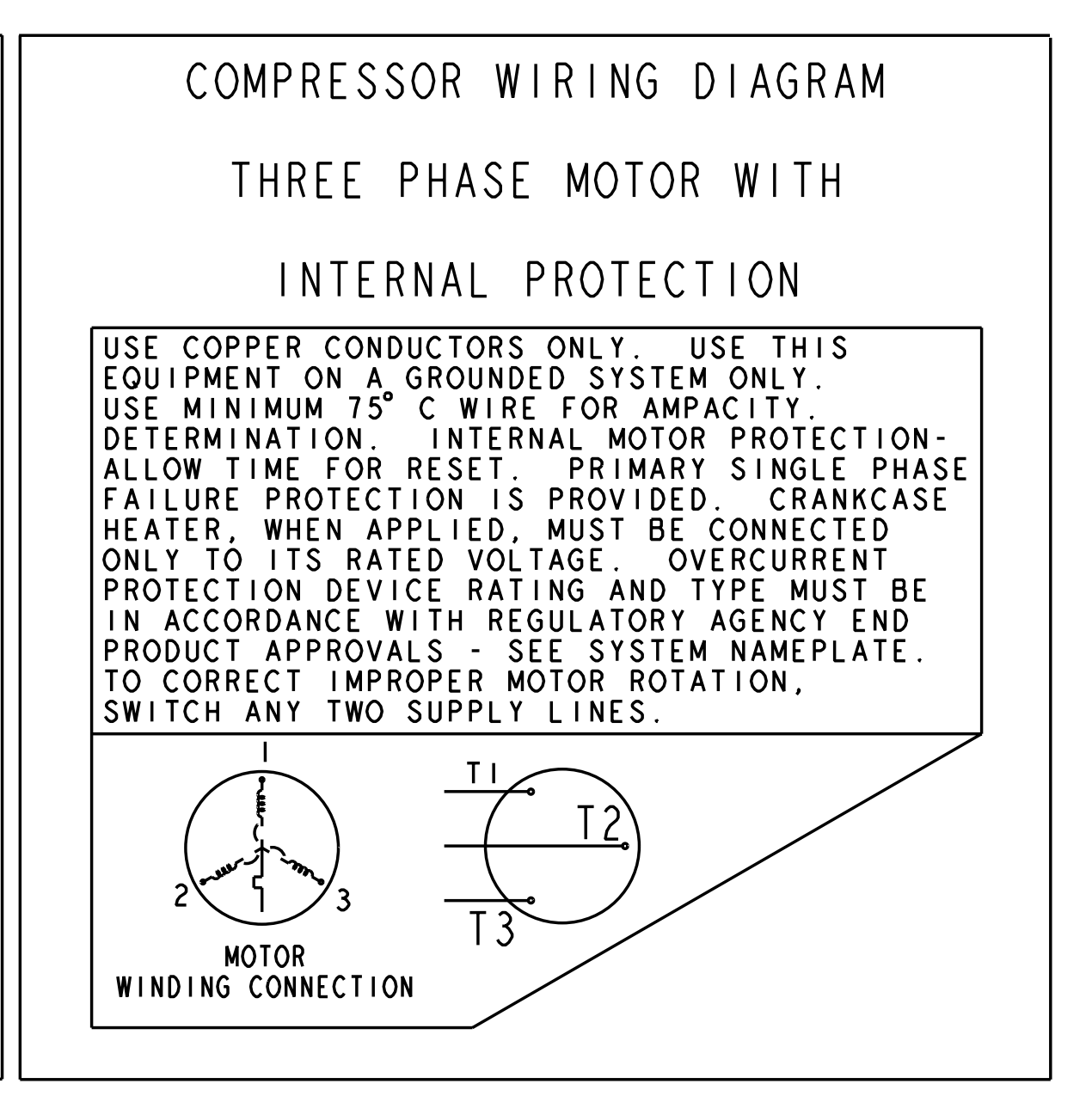
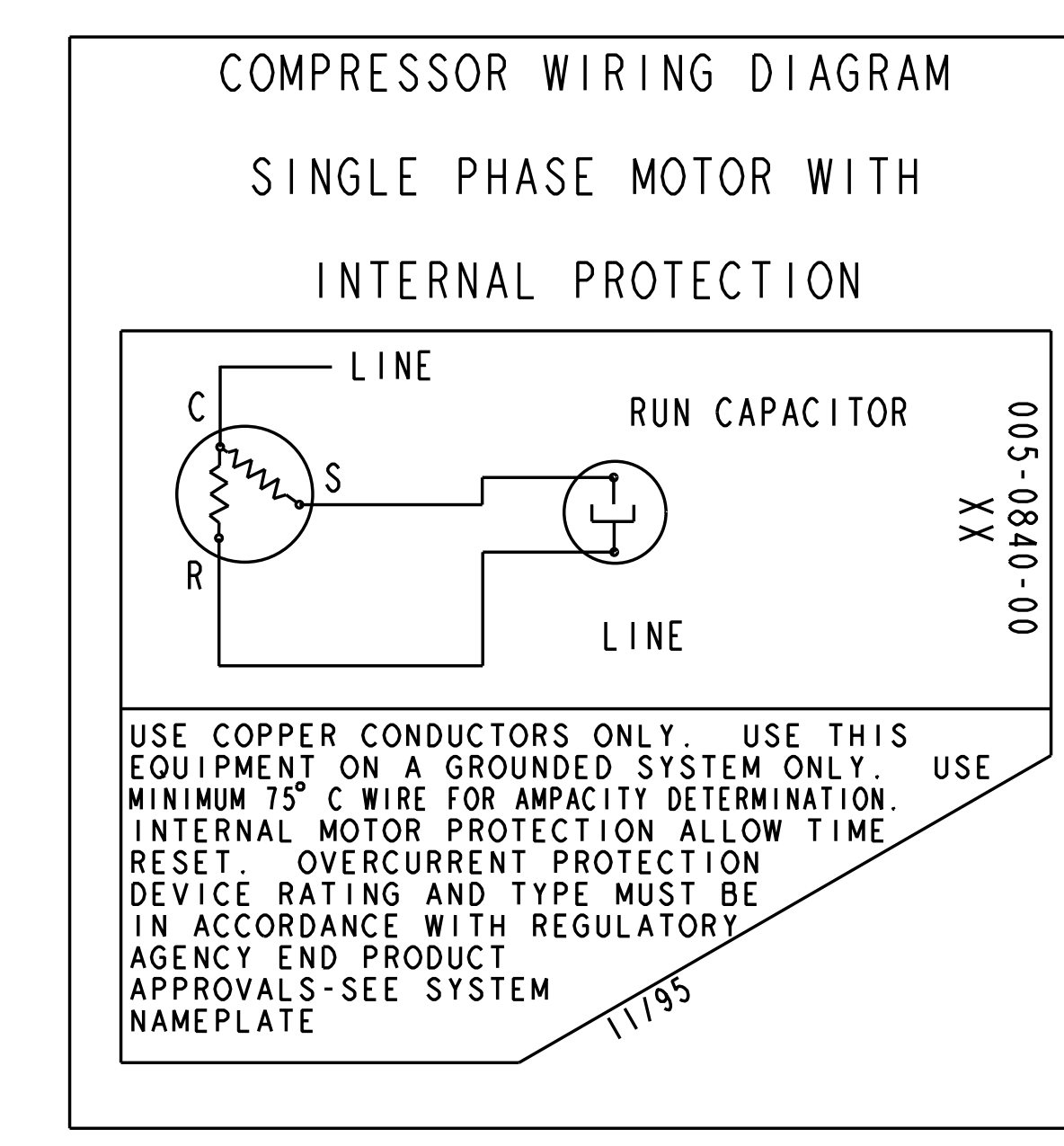
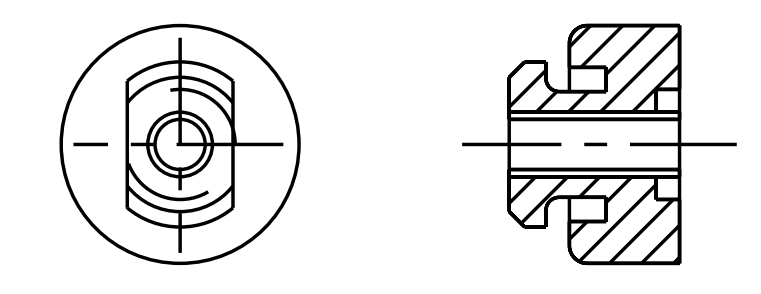
VIEW W-W
FUSITE LAYOUT
SCALE 2:1

MODEL NUMBER
⑨ ZP34K5E-PFV/TFD/TFE/TF5
⑨ ZP36K5E-PFV/PFJ/TFD/TFE/TF5
⑩ ZP38K5E-TFD/TFE/TF5
⑩ ZP42K5E-PFJ/TFD/TFE/TF5
⑩ ZP44K5E-TF5/PFV/PFJ/TFD/TFE/TF7
⑩ ZP49K5E-PFJ/PFV/TF5/TFD/TFE/TF7
⑩ ZP51K5E-PFV/PFJ/TFD/TFE/TF5/TF7
⑩ ZP54K5E-TFD/TFE/TF5
⑩ ZP54K5E-PFV
⑩ ZP39K5E-TFD/TFE/TF5/TF7

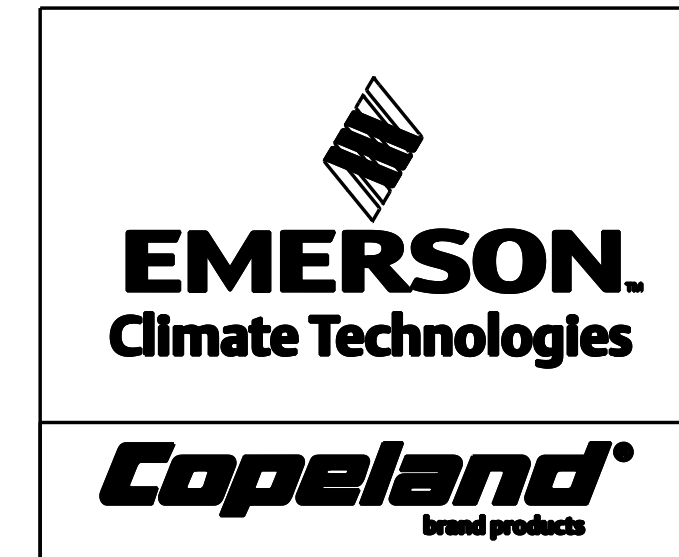
SPECIFICATIONS	
ES NO.	DESCRIPTION
ES92-155	CONVERSION-METRIC

- NOTES:
- ALL TOLERANCES ± 1.50 [0.060] UNLESS OTHERWISE SPECIFIED.
 - THE SUCTION TUBE, DISCHARGE TUBE OIL LEVEL TUBE AND CIRCLE FENCE RADIAL DIMENSIONS ARE TO BE GAUGED FROM THE CENTER OF THE MOUNTING HOLE PATTERN.
 - TUBES ENDS MUST BE PLUGGED.
 - MOUNTING KIT:

GROMMET DUROMETER	4 FOOT KIT
60-70	527-0212-00



ECN	REV	DESCRIPTION	DATE	BY	CHKD	APPR
ECN006258	15	ADDED MODEL ZP38K5E-TFE/TF5	10-15-12	RRP	PNA	PNA
ECN005133	14	ADDED ZP42K5E-TFD/TFE/TF5	02-23-12	PBM	BR	KJR
ECN004874	13	ADDED MODEL ZP39K5E-TFD/TFE/TF5	03-02-12	MPK	PNA	PNA
ECN003097	12	ADDED ZP44K5E-PFJ, MODIFIED DIMENSION	12-22-11	PBM	BR	KJR
ECN004352	11	ADDED MODEL ZP39K5E-TF7	10-12-11	INY	BR	KJR
ECN004366	10	ADDED MODEL ZP38K5E-TFD	08-25-11	MPK	PNA	PNA
ECN003754	9	ADDED MODEL ZP34K5E, ZP36K5E & ZP51K5E	04-13-11	MPK	PNA	PNA
ECN002632	8	ADDED MODEL ZP49K5E-PFJ	01-31-11	INY	BR	KJR
ECN002564	7	ADDED ZP44K5E-TF7	11-29-10	PBM	BR	KJR
ECN002571	6	ADDED ZP49K5E-TF7	10-27-10	INY	MA	KJR
ECN001760	5	ADDED ZP44K5E-TFE & CHANGED DIMENSIONS	10-26-09	PAS	EC	KJR
ECN001833	4	ADDED ZP51K5E-TF7	09-08-09	PBM	EC	KJR
ECN001785	3	ADDED ZP44K5E-TFD	07-21-09	PAS	EC	KJR
ECN001779	2	ADDED ZP44K5E-PFV & ZP49K5E-TFD/TFE	05-27-09	PBM	EC	KJR
ECN000601	1	RELEASED ZP44/49/54K5E MODELS	03-24-09	XHT	EC	KJR
ECN000601	0	RELEASED	08-31-07	JL	EC	RST



INTERPRET PER ASME Y14.5M-1994 AND EMERSON CLIMATE TECHNOLOGIES, INC. DESIGN STANDARDS DS2002 DO NOT SCALE DRAWING

CRITICAL PRODUCT CHARACTERISTIC

THIRD ANGLE PROJECTION

UNLESS OTHERWISE SPECIFIED DIMENSIONS ARE MILLIMETER OR (INCH)

TOLERANCES:
1-PLACE \pm
2-PLACE \pm
ANGULAR \pm

24 (63)

THIS DRAWING AND INFORMATION CONTAINED HEREIN ARE THE EXCLUSIVE PROPERTY OF EMERSON CLIMATE TECHNOLOGIES, INC. AND SHALL BE RETURNED UPON DEMAND AND SHALL NOT BE REPRODUCED IN WHOLE OR IN PART, DISCLOSED TO ANYONE ELSE OR USED, WITHOUT THE WRITTEN CONSENT OF EMERSON CLIMATE TECHNOLOGIES, INC.

MATERIAL SPECIFICATION: N/A

DRAWN BY: JL
DATE: 08-31-07

SUPERSEDES DWG. NO.: /
SCALE: 3:4
DATE FORMAT: MM-DD-YY

TITLE: REF DWG-WELD COMP ASSM
DRAWING NUMBER: 497-0665-00
SHEET 1 OF 1