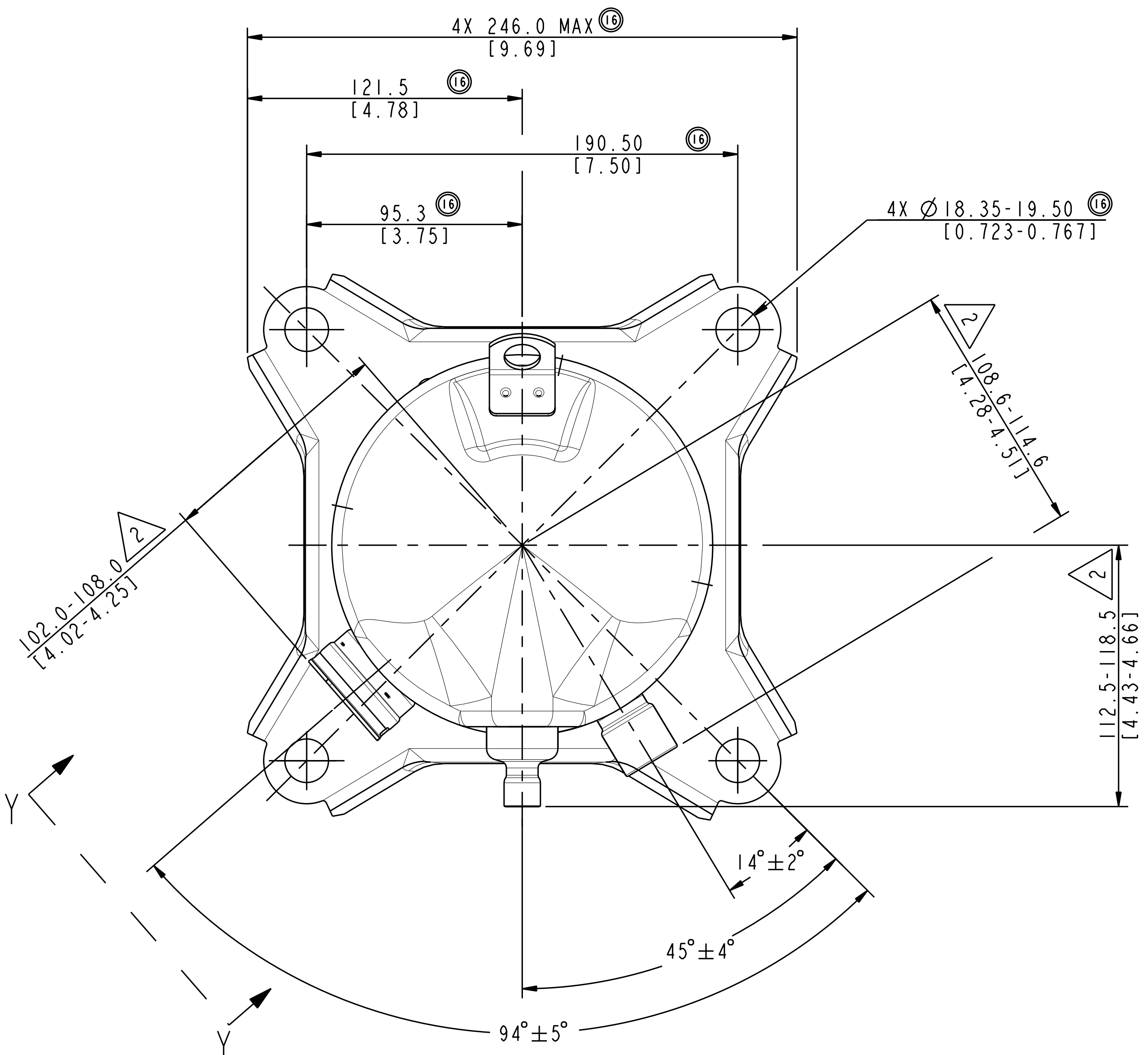


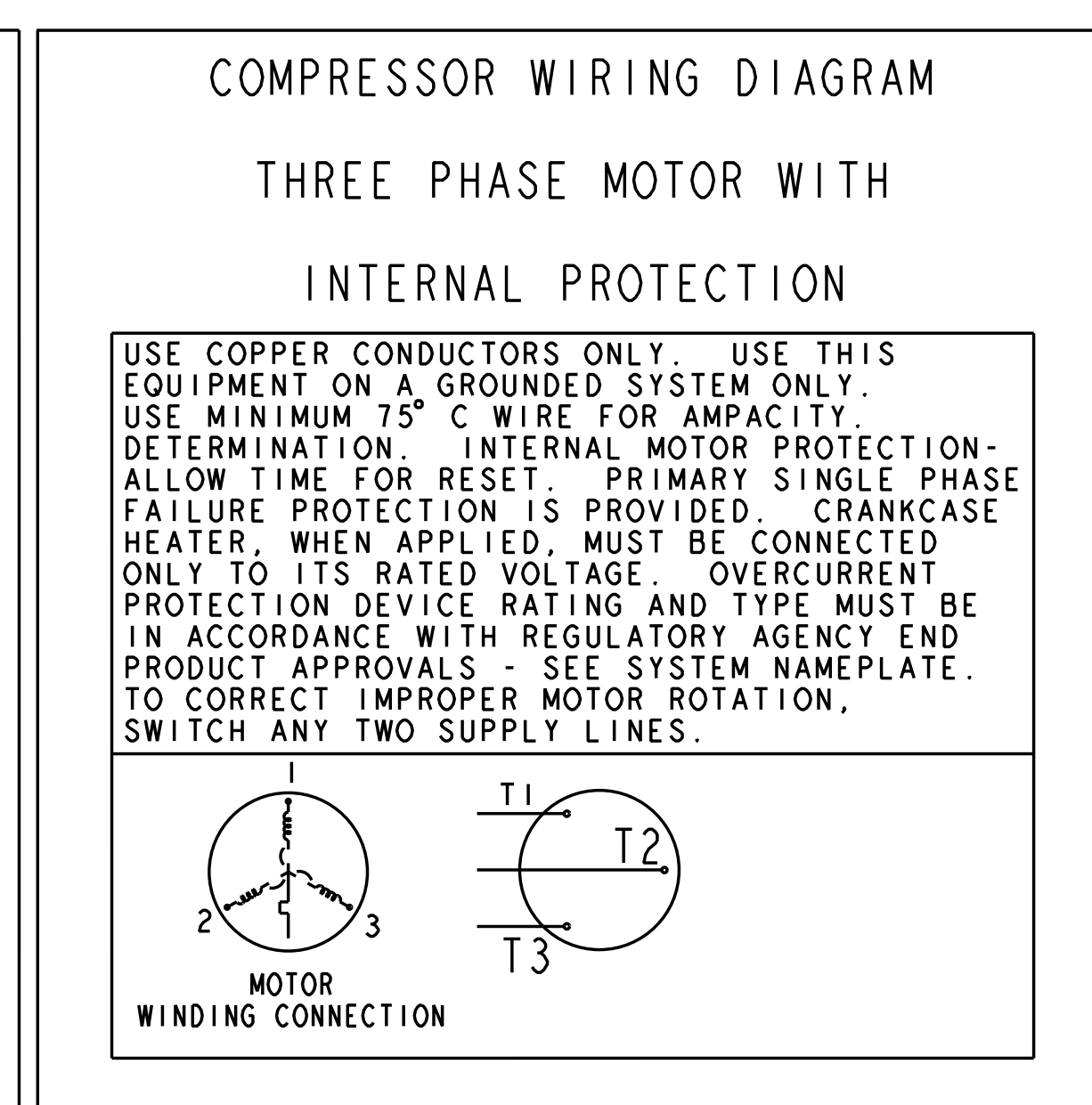
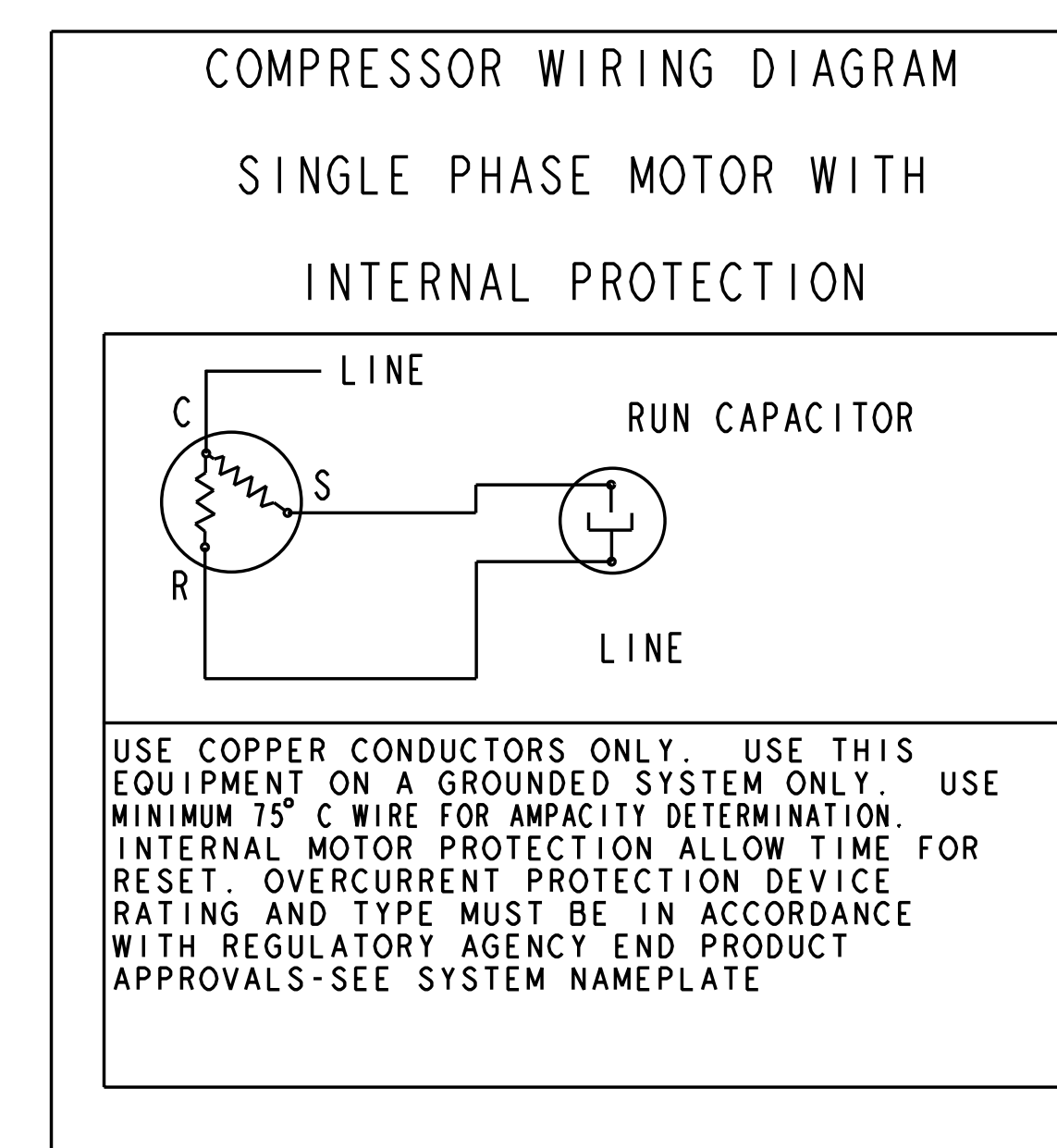
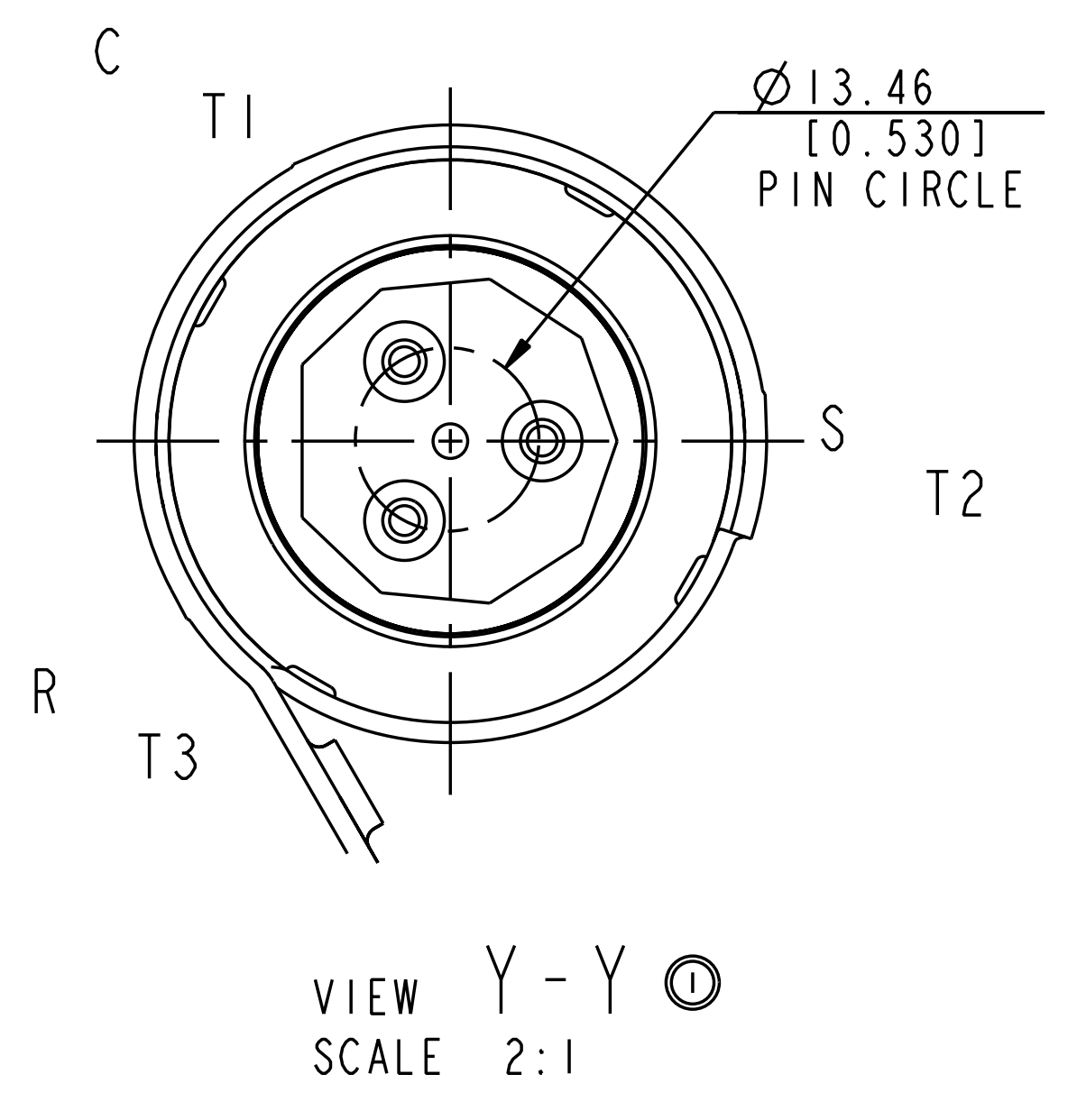
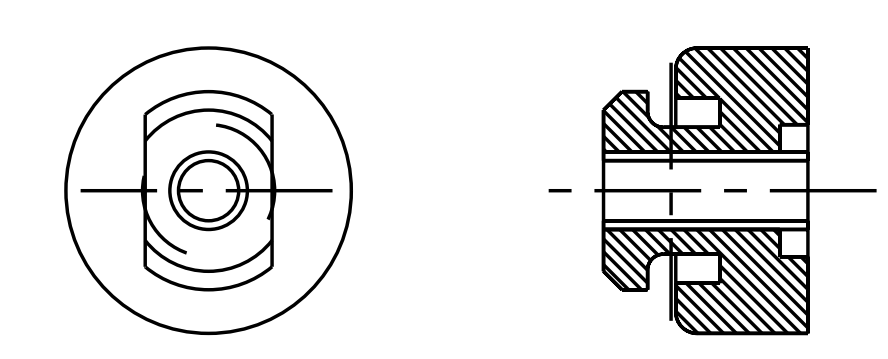
MODEL NUMBER	
ZR38K5-PFV/TF5/TFD/TFE/PFJ/TF7	(14) (15)
ZR42K5-PFV/TF5/TFD/TFE/PFJ	(12)
ZR44K5-PFV/TFD/TFE/TF5	(15)
ZR48K5-PFV/TFD/TFE/PFJ/TF5/TF7	(15)
ZR54K5-PFV/TF5/TFD/TFE/TF7	(17)
ZR38K5E-PFV/TF5/TFD/TFE/PFJ/TF7	(10) (14) (15)
ZR42K5E-PFV/TF5/TFD/TFE/PFJ	(10) (11) (13)
ZR44K5E-PFV/TF5/TFD/TFE	(10) (20)
ZR48K5E-PFV/TF5/TFD/TFE/PFJ/TF7	(10) (11) (13) (19)
ZR54K5E-PFV/TF5/TFD/TFE/TF7	(11) (19)

SPECIFICATIONS	
ES NO.	DESCRIPTION
ES92-155	CONVERSION-METRIC



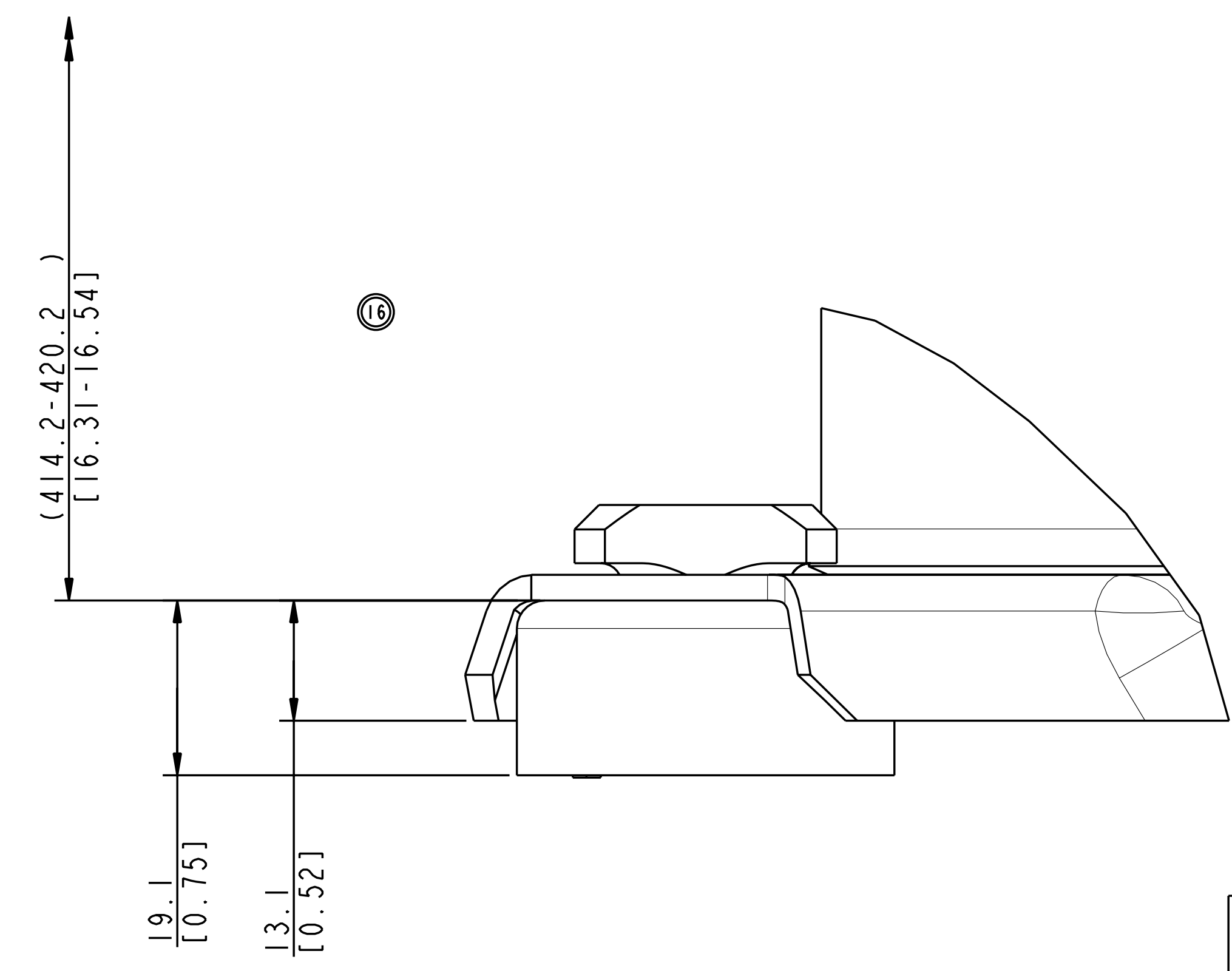
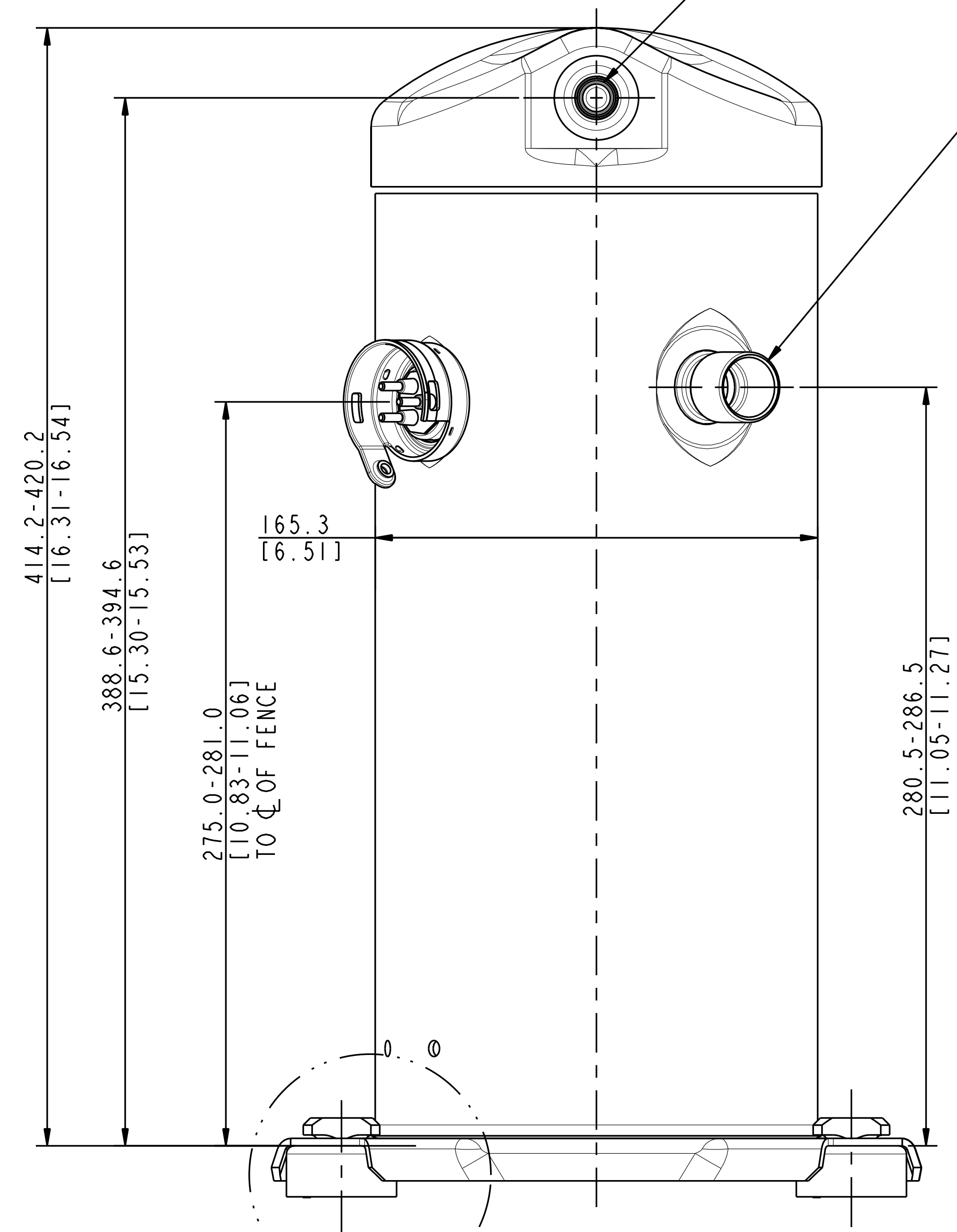
- NOTES:
- ALL TOLERANCES ± 1.50 [0.060] UNLESS OTHERWISE SPECIFIED.
 - THE SUCTION TUBE, DISCHARGE TUBE, AND CIRCLE FENCE RADIAL DIMENSIONS ARE TO BE GAUGED FROM THE CENTER OF THE MOUNTING HOLE PATTERN.
 - TUBE ENDS MUST BE PLUGGED.
 - MOUNTING KIT:

GROMMET DUROMETER	4 FOOT KIT
35-45	527-0116-00



Ø 12.78-12.95 [0.503-0.510] I.D.
↓ 10.00 [0.394] MIN, 0.038 [0.0015] MIN THICK EXTERIOR AND 0.038 [0.0015] MIN THICK INTERIOR COPPER PLATED STEEL DISCHARGE FITTING.

Ø 22.30-22.48 [0.878-0.885] I.D.
↓ 20.4 [0.803] MIN, 0.038 [0.0015] MIN THICK EXTERIOR AND 0.038 [0.0015] MIN THICK INTERIOR COPPER PLATED STEEL SUCTION FITTING.



INTERPRET PER ASME Y14.5M-1994 AND EMERSON CLIMATE TECHNOLOGIES, INC. DESIGN STANDARDS DS2002 DO NOT SCALE DRAWING

CRITICAL PRODUCT CHARACTERISTIC

THIRD ANGLE PROJECTION

UNLESS OTHERWISE SPECIFIED DIMENSIONS ARE MILLIMETER OR (INCH)

TOLERANCES:
1-PLACE \pm
2-PLACE \pm
ANGULAR \pm

ENG NOTICE NO.	REV. NO.	REVISIONS	DATE	BY	CHKD	APPR
ECN007541	20	ADDED ZR44K5E-TFE	09-17-13	PBM	BR	KJR
ECN007321	19	ADDED ZR38/48/54K5E-TF7	07-05-13	RRP	BR	KJR
ECN007029	18	ADDED ZR44K5E-PFV/TF5/TFD	04-20-13	YSM	BR	KJR
ECN003916	17	ADDED ZR54K5-TF7	04-19-12	RRP	BR	KJR
ECN004782	16	MODIFIED DIMENSIONS	11-30-11	PBM	BR	KJR
ECN002830	15	ADDED ZR38/48K5-TF7	01-21-11	PNA	BR	KJR
ECN002349	14	ADDED ZR38K5/K5E-PFJ	01-12-11	PNA	BR	KJR
ECN002750	13	ADDED ZR42/48K5E-PFJ	08-12-10	PNA	BR	KJR
ECN002165	12	ADDED ZR42K5-PFJ	07-06-10	AU	CHK	KJR
ECN002456	11	ADDED ZR38/42/48/54K5E-TF5/TFD/TFE	05-14-10	MPK	CHK	KJR
ECN002414	10	REDRAWN WITH CHANGES, ADDED ZR5K MODELS	04-27-10	MPK	CHK	KJR
ECN001433	0	RELEASED	07-27-09	MPK	EC	KJR

24 (FR63)

THIS DRAWING AND INFORMATION CONTAINED HEREIN ARE THE EXCLUSIVE PROPERTY OF EMERSON CLIMATE TECHNOLOGIES, INC. AND SHALL BE RETURNED UPON DEMAND AND SHALL NOT BE REPRODUCED IN WHOLE OR IN PART, DISCLOSED TO ANYONE ELSE OR USED, WITHOUT THE WRITTEN CONSENT OF EMERSON CLIMATE TECHNOLOGIES, INC.

MATERIAL SPECIFICATION

DRAWN BY	MPK	SUPERSEDES DWG. NO. / REV. NO.	497-0887-00 / 9
DATE	04-27-10	SCALE	3:4
TITLE	REF DWG-WELD COMP ASSM	DATE FORMAT	MM-DD-YY
DRAWING NUMBER	497-0887-00	SHEET 1 OF 1	DWG
SIZE	5		