

MODEL NUMBER
ZR46K3/K3E-PFV, TFD, TFE, TF5
ZR49K3/K3E-PFV, TFD, TFE, TF5
ZR52K3-PFV, TF5, TFD, TFE
ZR54K3/K3E-PFV, TFD, TFE, TF5
ZR57K3/K3E-PFV, TFD, TFE, TF5
ZR57KH-TFD
ZR61K3/K3E-PFV, TFD, TFE, TF5
ZR61KH-TFD
ZR61KHE-TFM (2)
ZR52K3E-PFV, TF5 (2)

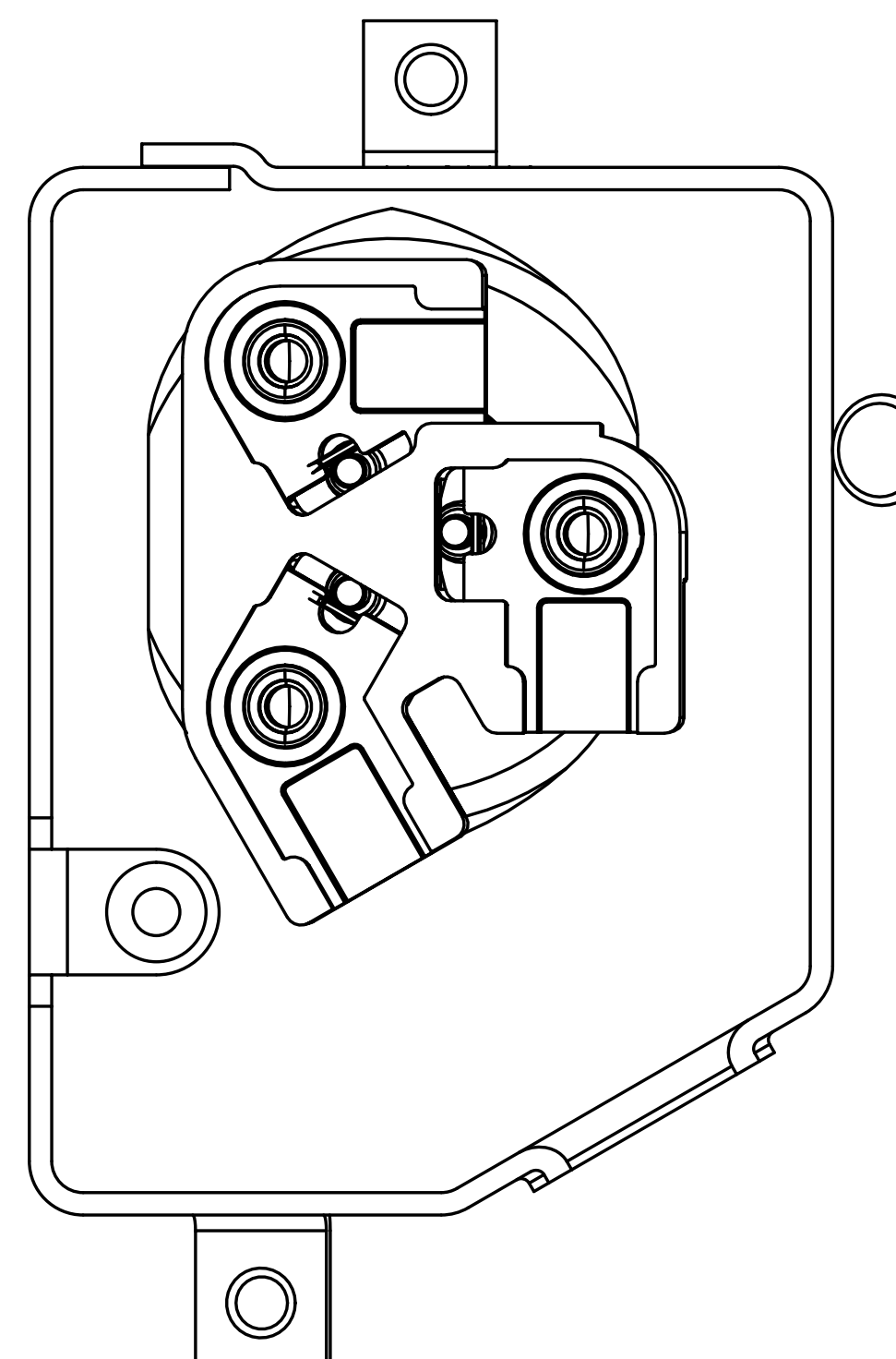
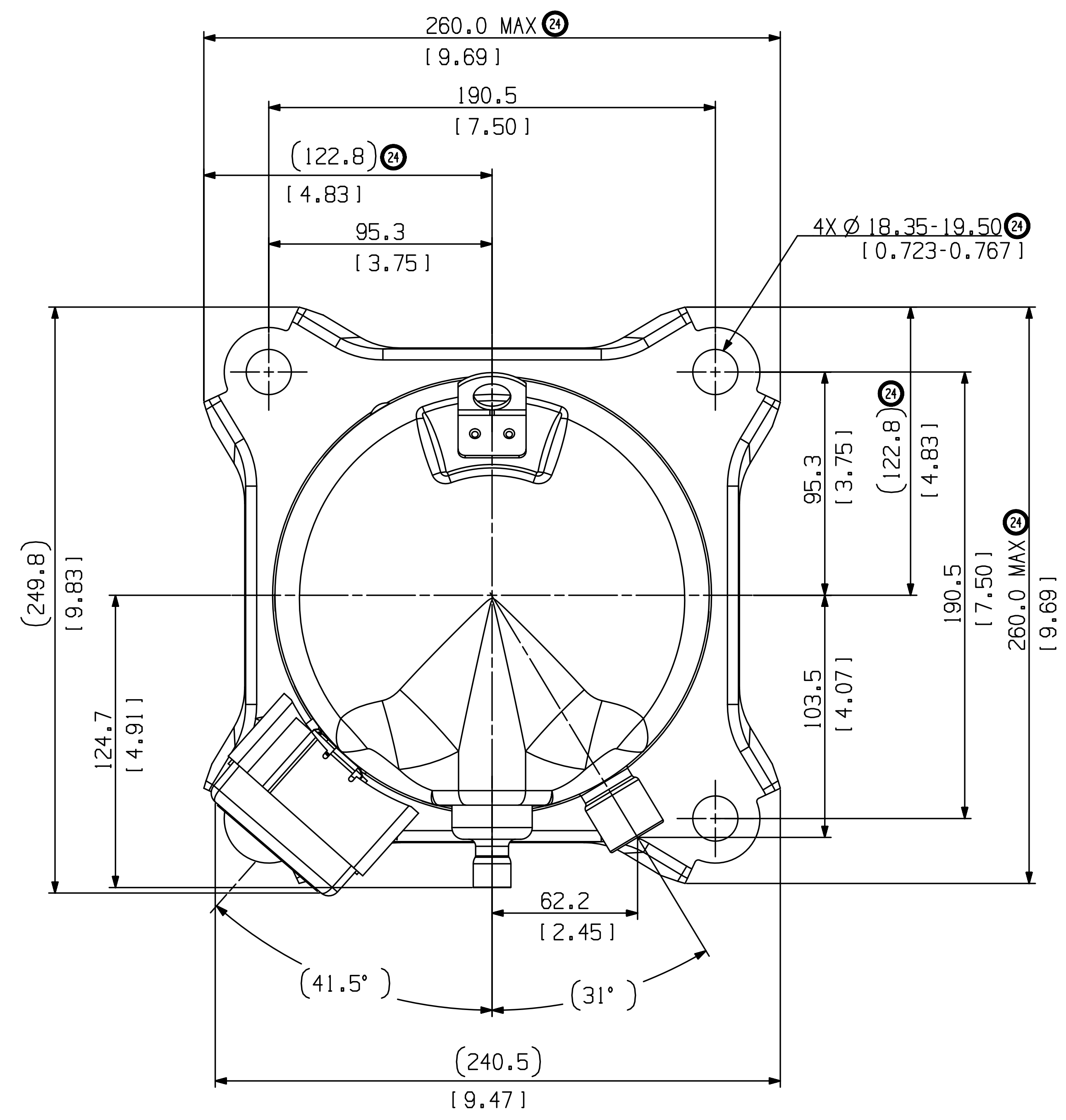
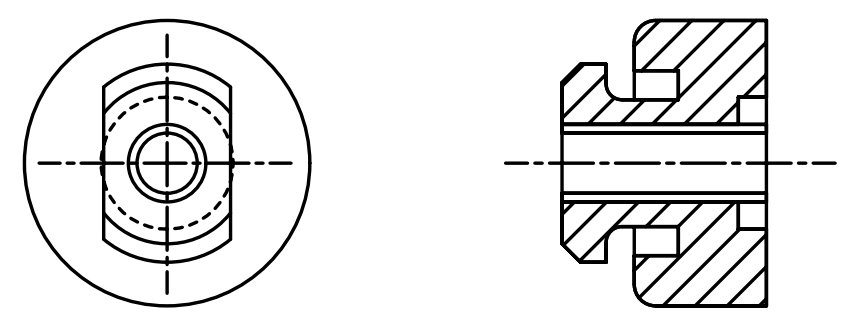
SPECIFICATIONS	
ES NO.	DESCRIPTION
ES92-155	CONVERSION-METRIC

NOTES:
 1 ALL TOLERANCES ±1.50 [0.060] UNLESS OTHERWISE SPECIFIED.

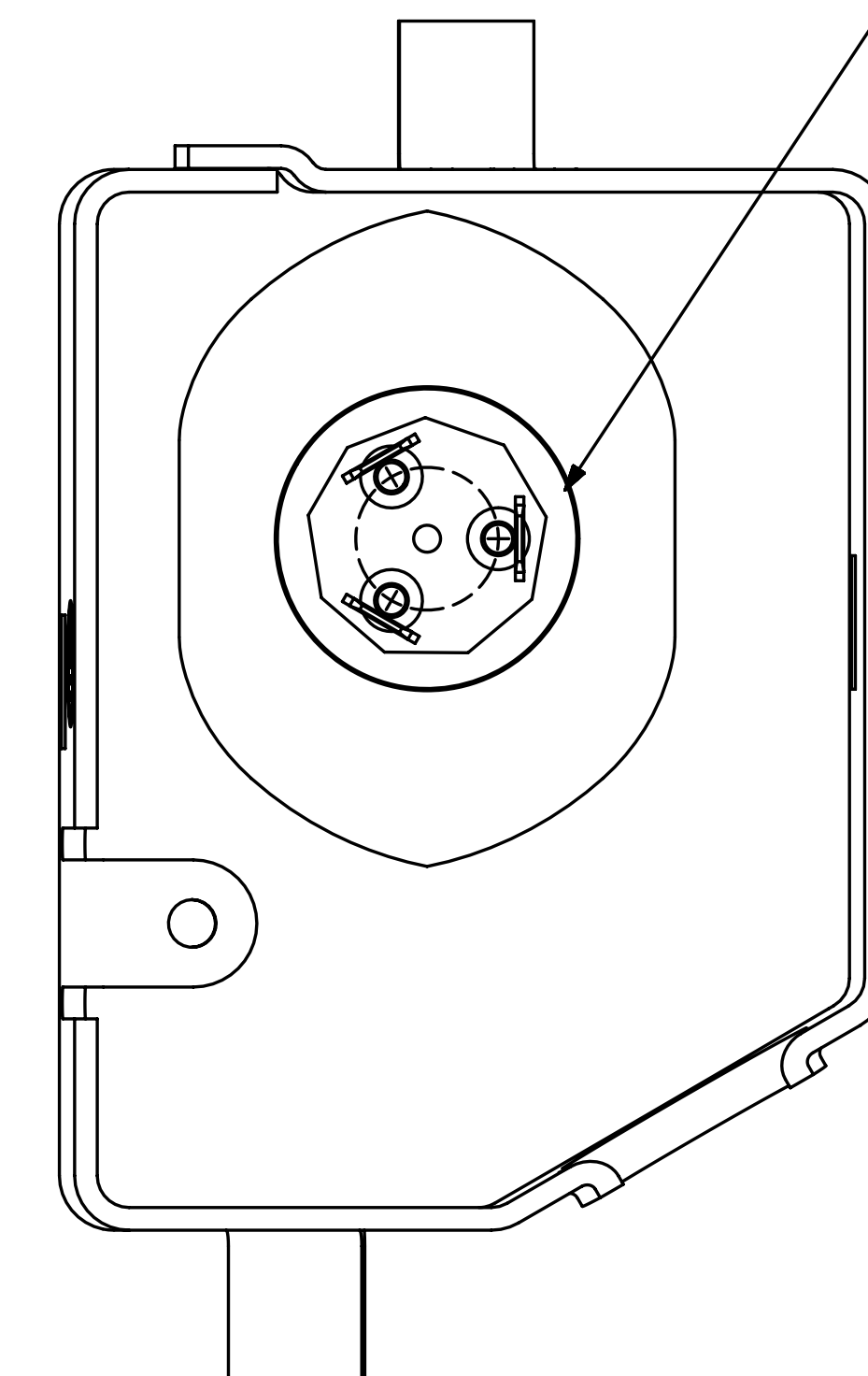
DUE TO ACCUMULATED ASSEMBLY TOLERANCES THE LISTED COMPONENTS MAY VARY FROM THE MOUNTING HOLES AS SHOWN BELOW:

- 2 ALL FITTINGS : ±3.0 [0.12]
- 2 MOUNTING KIT.
- 3. TUBE ENDS MUST BE PLUGGED.

GROMMET DUROMETER	4 FOOT KIT
35-45	527-0116-00



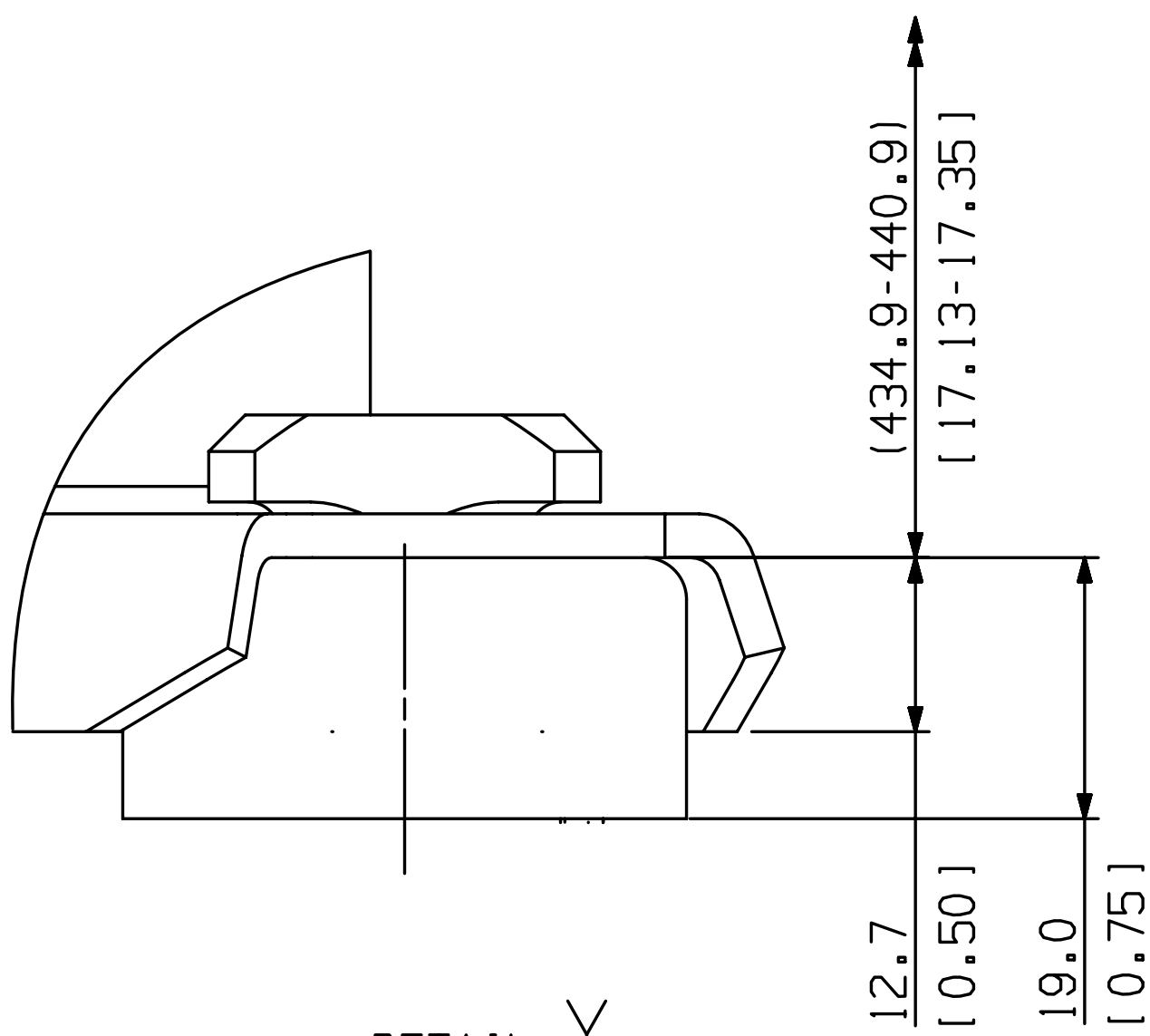
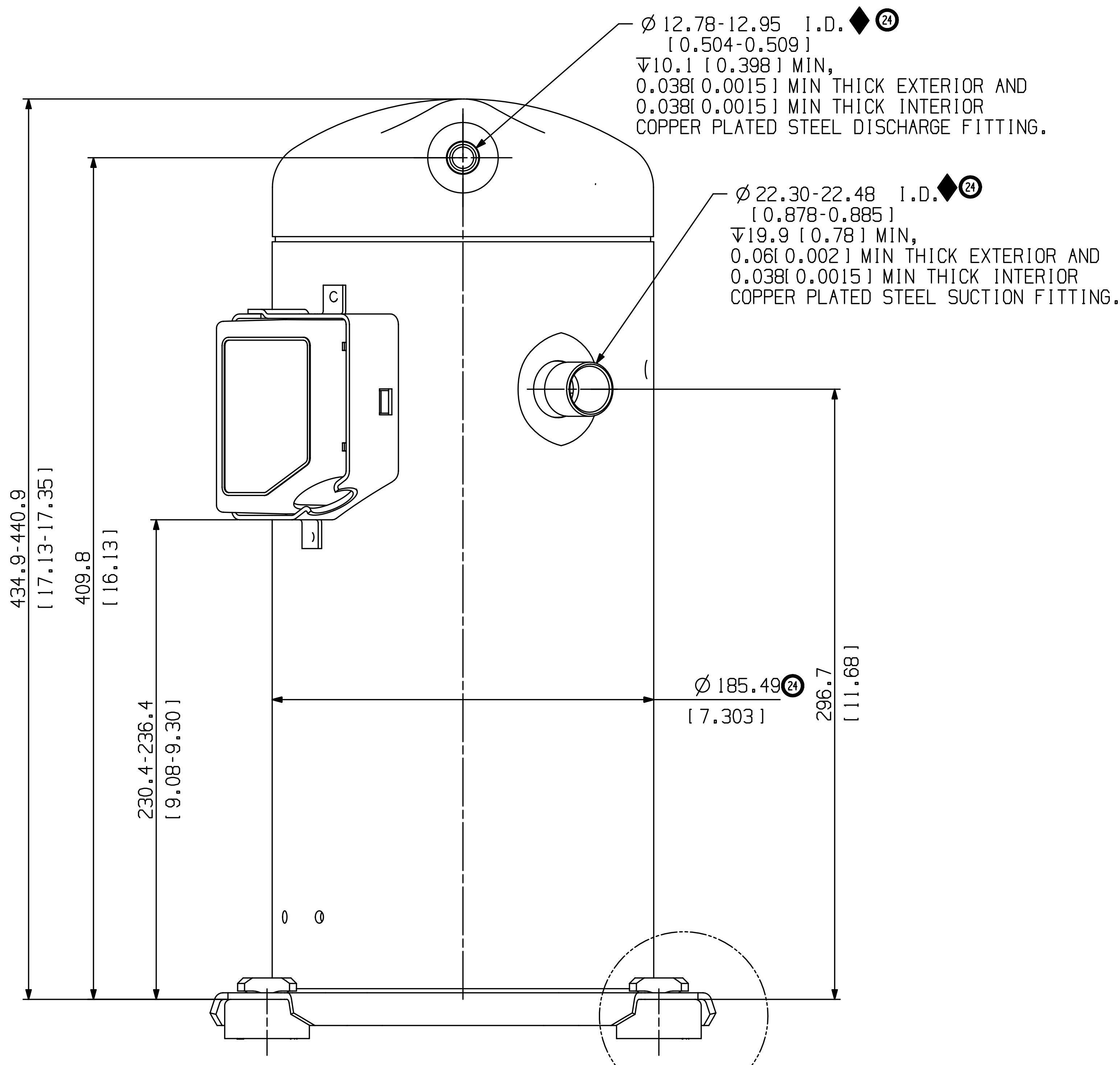
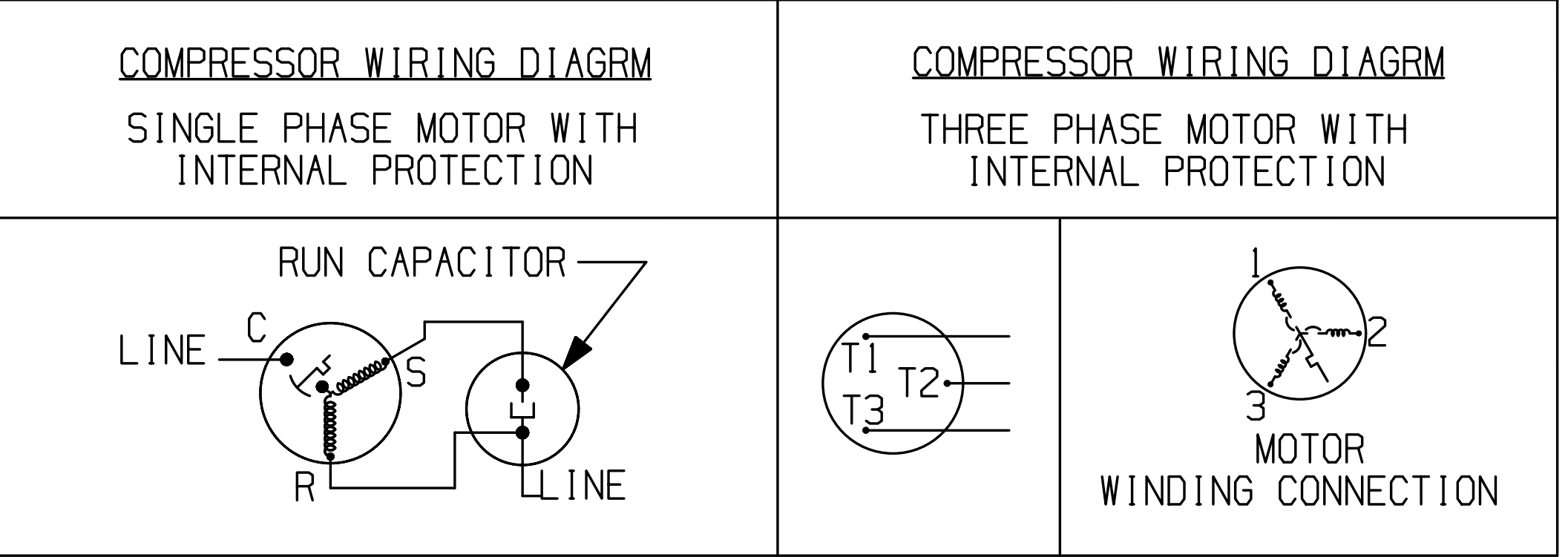
T* BOX LAYOUT
OPTIONAL
SCALE 3:2



T* BOX LAYOUT
STANDARD
SCALE 3:2

Ø 17.45 PIN CIRCLE [0.687]
MODELS: TFD, TFE, TFM, TF7
Ø 13.46 PIN CIRCLE [0.530]
MODELS: PFV, PFJ, TFW, TF5

USE COPPER CONDUCTORS ONLY. USE MINIMUM 75° C WIRE FOR AMPACITY DETERMINATION. INTERNAL MOTOR PROTECTION - ALLOW TIME FOR RESET. OVERCURRENT PROTECTION DEVICE RATING AND TYPE MUST BE IN ACCORDANCE WITH REGULATORY AGENCY END PRODUCT APPROVALS - SEE SYSTEM NAMEPLATE. CRANKCASE HEATER, WHEN APPLIED, MUST BE CONNECTED ONLY TO ITS RATED VOLTAGE. TO CORRECT IMPROPER ROTATION OF THREE PHASE MODELS, SWITCH ANY TWO SUPPLY LINES. REFER TO THE APPLICABLE SYSTEM WIRING DIAGRAM.



21 DETAIL Y
SCALE 2:1

SEE DETAIL Y (21)



INTERPRET PER ASME Y14.5M-1994 AND Y14.5-1994 AND EMERSON CLIMATE TECHNOLOGIES DESIGN STANDARDS DS2002
 DO NOT SCALE DRAWING
 THIRD ANGLE PROJECTION
 CRITICAL PRODUCT CHARACTERISTICS
 UNLESS OTHERWISE SPECIFIED DIMENSIONS ARE MILLIMETER OR 1/16 INCH
 1-PLACE :
 2-PLACE :
 ANGLAR : N/A

ECN	NO.	DESCRIPTION	DATE	BY	CHK	APP
ECN007890	26	ADDED ZR52K3E-TF5	11-29-13	PBM	BR	KJR
ECN007893	25	ADDED ZR52K3E-PFV	10-11-13	RRP	BR	KJR
ECN005628	24	REVISED DIMENSIONS AND NOTES	05-22-12	PPJ	MA	KJR
ECN002155	23	ADDED ZR61KHE-TFM	12-11-09	FY	LZC	SX
32-0906-047	22	CHANGED FORMAT FOR PROJECT INC	02-23-07	SVK	CHK	RST
32-1105-060	21	ADDED ZR52K3-TFD, TFE	07-20-06	GK	EC	RST
32-0106-004	20	ADDED ZR52K3-TF5	08-20-06	TDS	EC	RST
32-1205-047	19	REVISED DIMENSIONS AND NOTES	12-16-05	EMK	GDD	RST
32-0705-045	18	ADDED ZR52K3-PFV & REDRAWN	07-26-05	PNA	EC	RST
32-0790-030	0	RELEASED	07-18-90	MH		

CONFIDENTIALITY NOTICE
 THIS DRAWING AND INFORMATION CONTAINED HEREIN ARE THE EXCLUSIVE PROPERTY OF EMERSON CLIMATE TECHNOLOGIES, INC. AND SHALL BE RETURNED UPON DEMAND AND SHALL NOT BE REPRODUCED IN WHOLE OR IN PART, DISSEMINATED TO ANYONE ELSE OR USED, WITHOUT THE WRITTEN CONSENT OF EMERSON CLIMATE TECHNOLOGIES, INC.
 MATERIAL SPECIFICATION: N/A
 DRAWN BY: OIL
 DATE: 03-12-03
 SUPERSEDES DWG. NO. / REV. NO.: 497-2545-00/17
 SCALE: 3:4
 DATE FORMAT: MM-DD-YY
 TITLE: REF DWG-WELD COMP ASSM
 SHEET 1 OF 1
 SIZE: 5