

MODEL NUMBER

| |
|------------------------------------|
| ZR46KC/KCE-TFD,TF5,TF7 |
| ZR49KC/KCE-PFV,TFD,TFE,TF5,TF7 |
| ZR54KC/KCE-PFV,TFD,TFE,TF5,TF7 |
| ZR57KC/KCE-PFV,TFD,TFE,TF5,TF7 |
| ZR61KC/KCE-PFV,PFZ,TFD,TFE,TF5,TF7 |
| ZR67KW/KWE-PFV |
| ZR68KC/KCE-PFV,PFJ,TFD,TFE,TF5,TF7 |
| ZR72KC/KCE-TF5,TFD,TFE,TF7,TF9 |
| ZR72KC-TFM |

| SPECIFICATIONS | |
|----------------|-------------------|
| ES NO. | DESCRIPTION |
| ES92-155 | CONVERSION-METRIC |

NOTES:

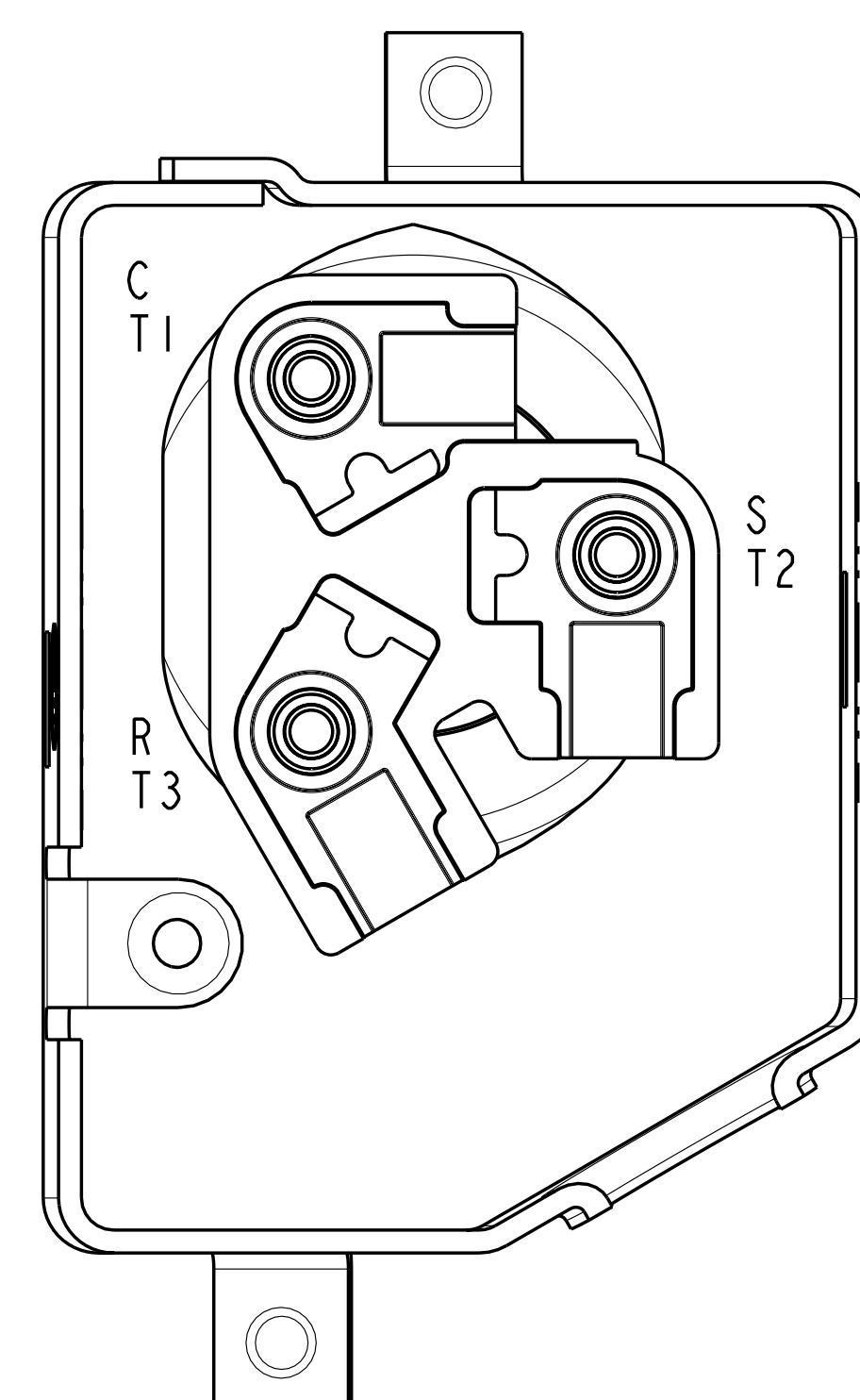
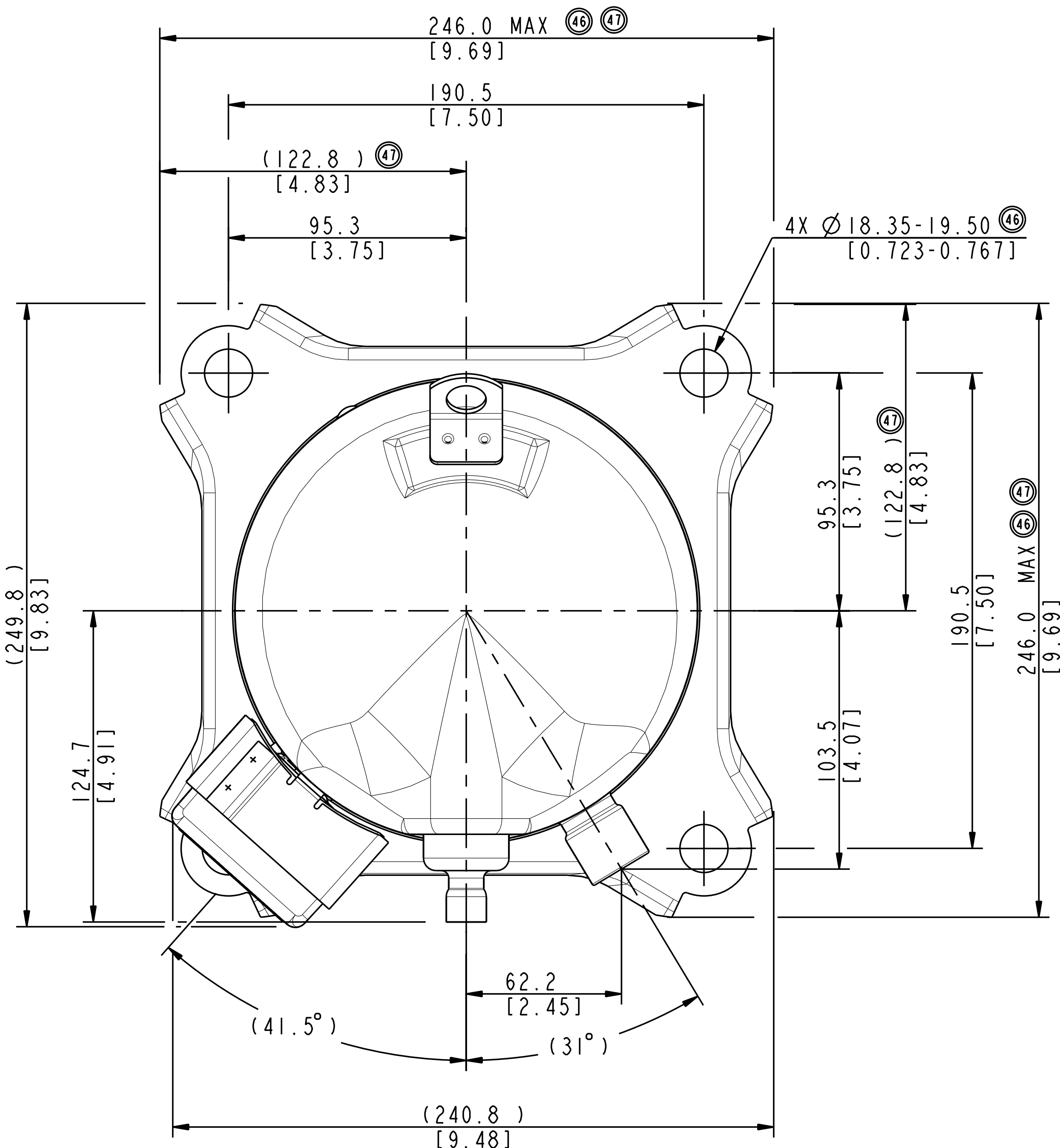
1 ALL TOLERANCES ± 1.50 [0.060] UNLESS OTHERWISE SPECIFIED.

DUE TO ACCUMULATED ASSEMBLY TOLERANCES THE LISTED COMPONENTS MAY VARY FROM THE MOUNTING HOLES AS SHOWN BELOW:

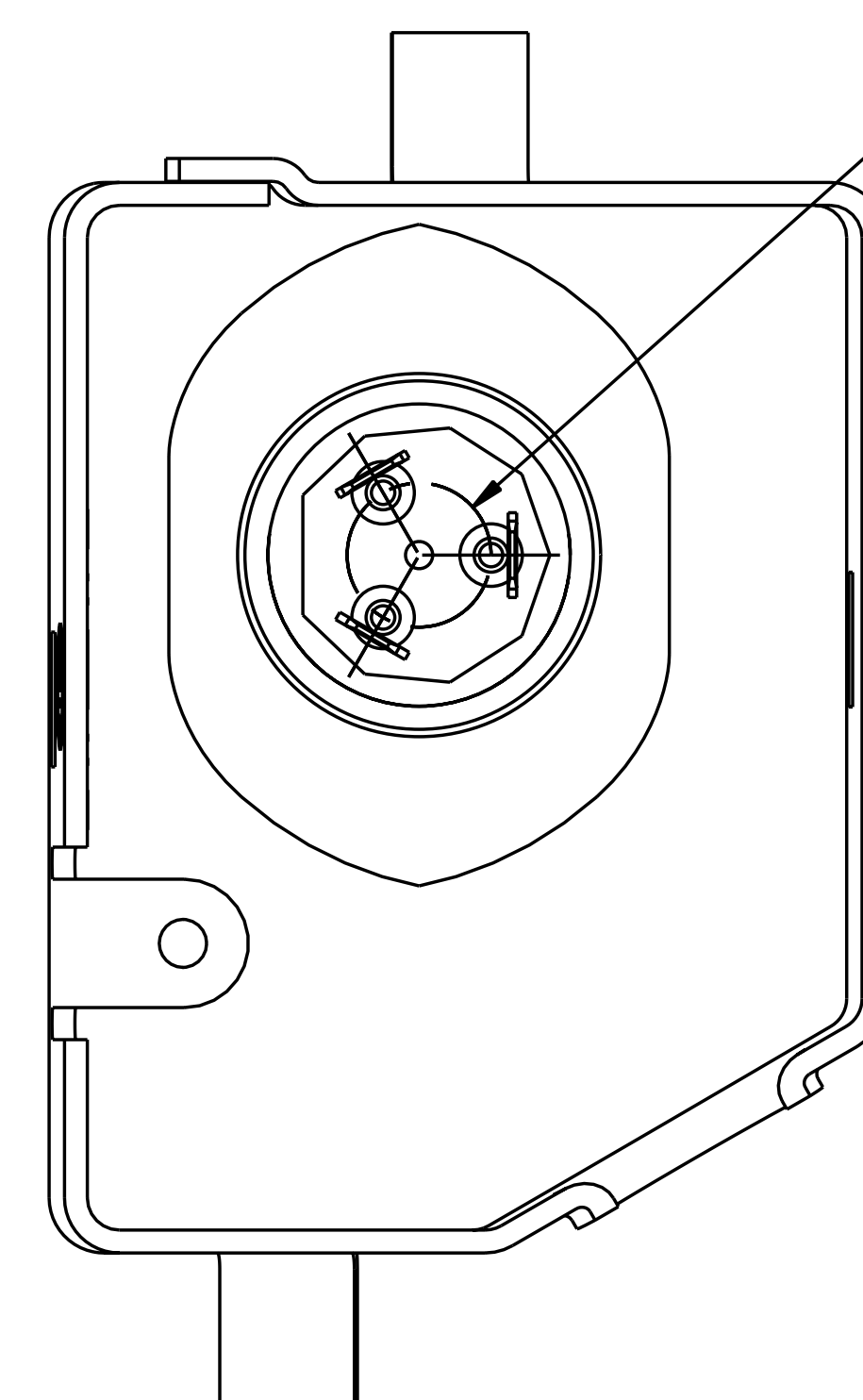
2 ALL FITTINGS : ± 3.0 [0.12]

3 MOUNTING KIT.

3. TUBE ENDS MUST BE PLUGGED.



T' BOX LAYOUT
OPTIONAL
SCALE 3:2

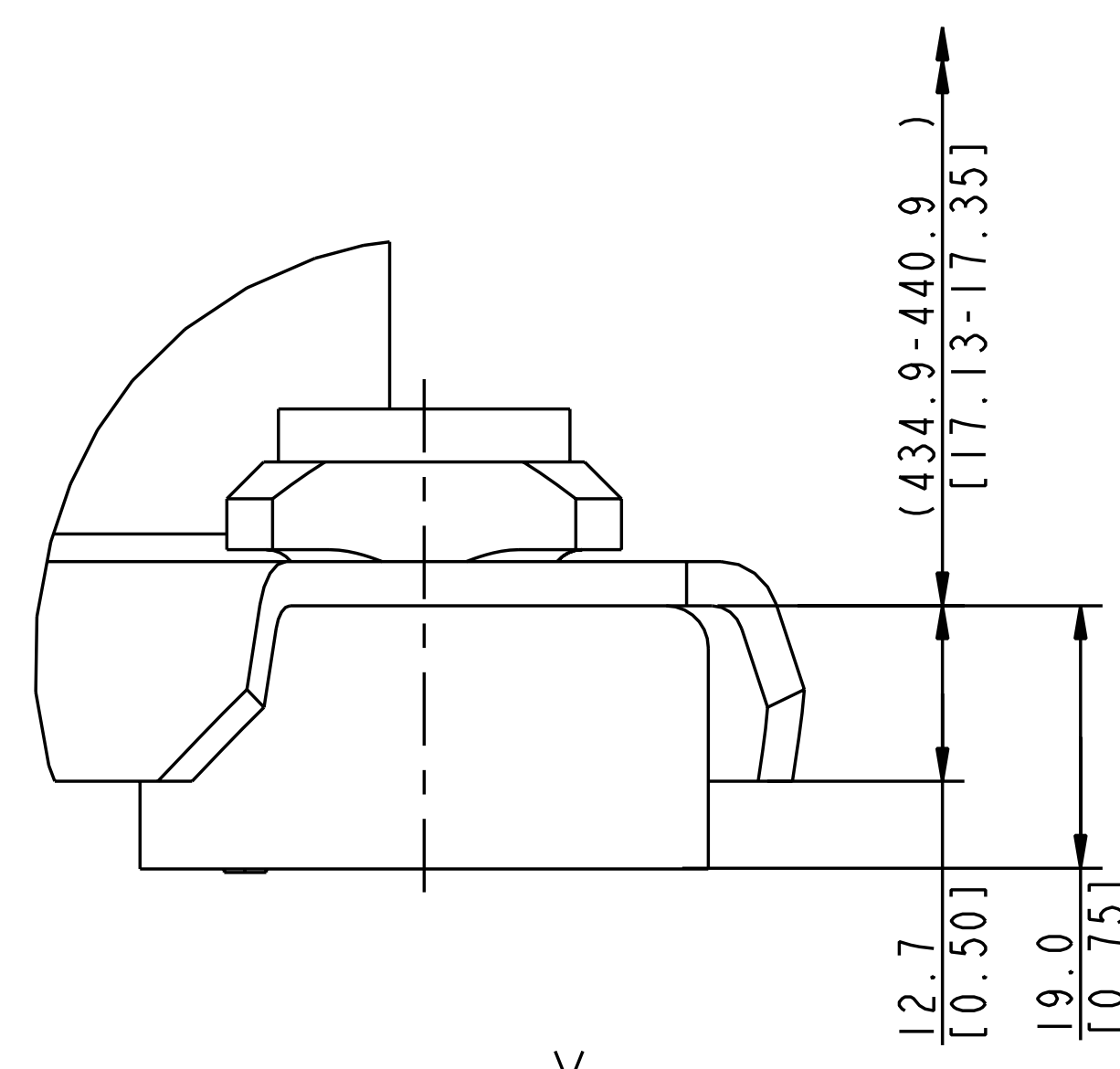
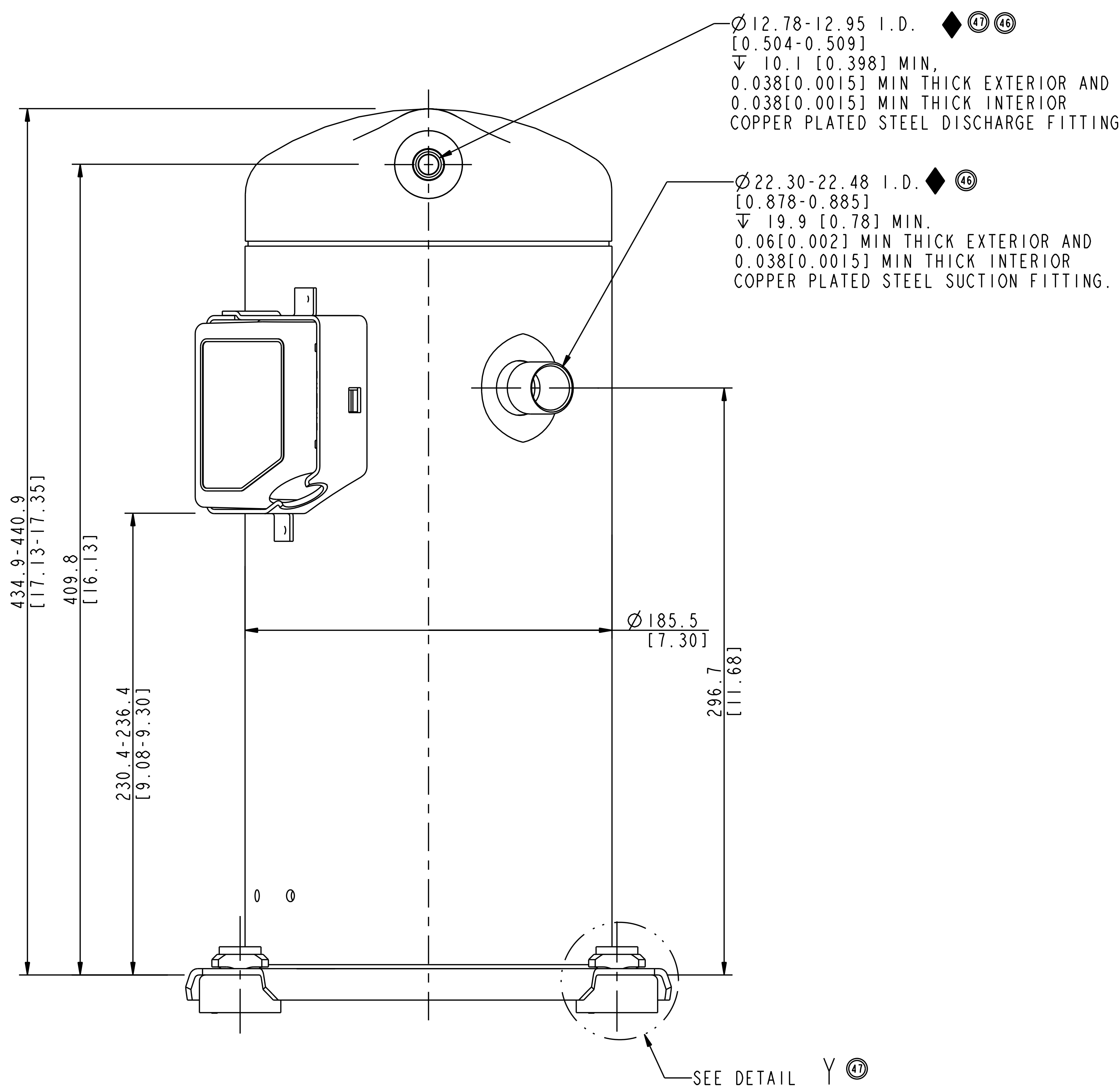
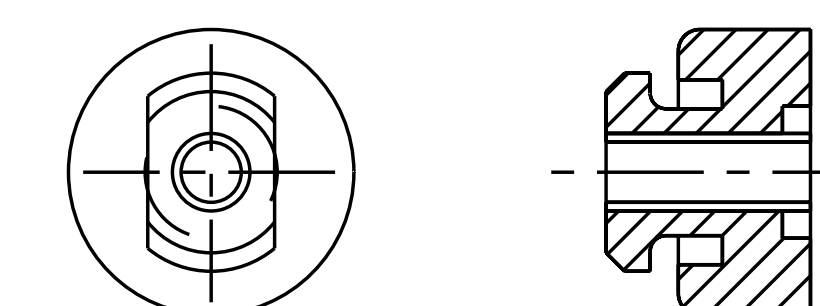


T' BOX LAYOUT
STANDARD
SCALE 3:2

Ø 17.45 PIN CIRCLE
[Ø 0.687]
MODELS: TFD, TFE, TF7, TFM

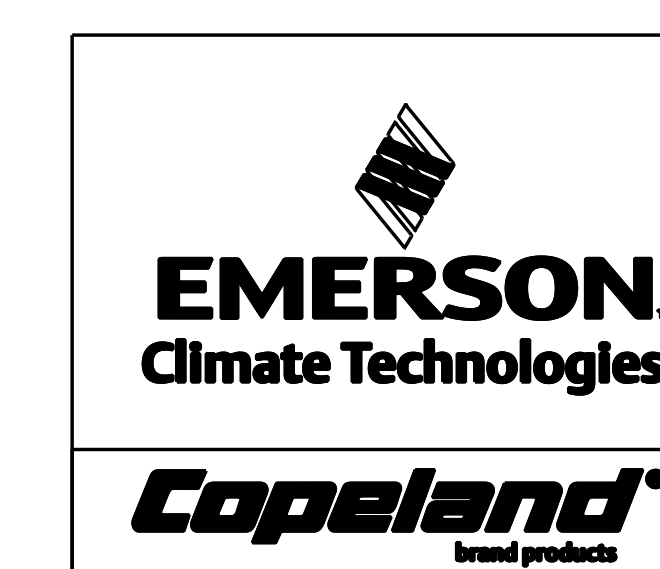
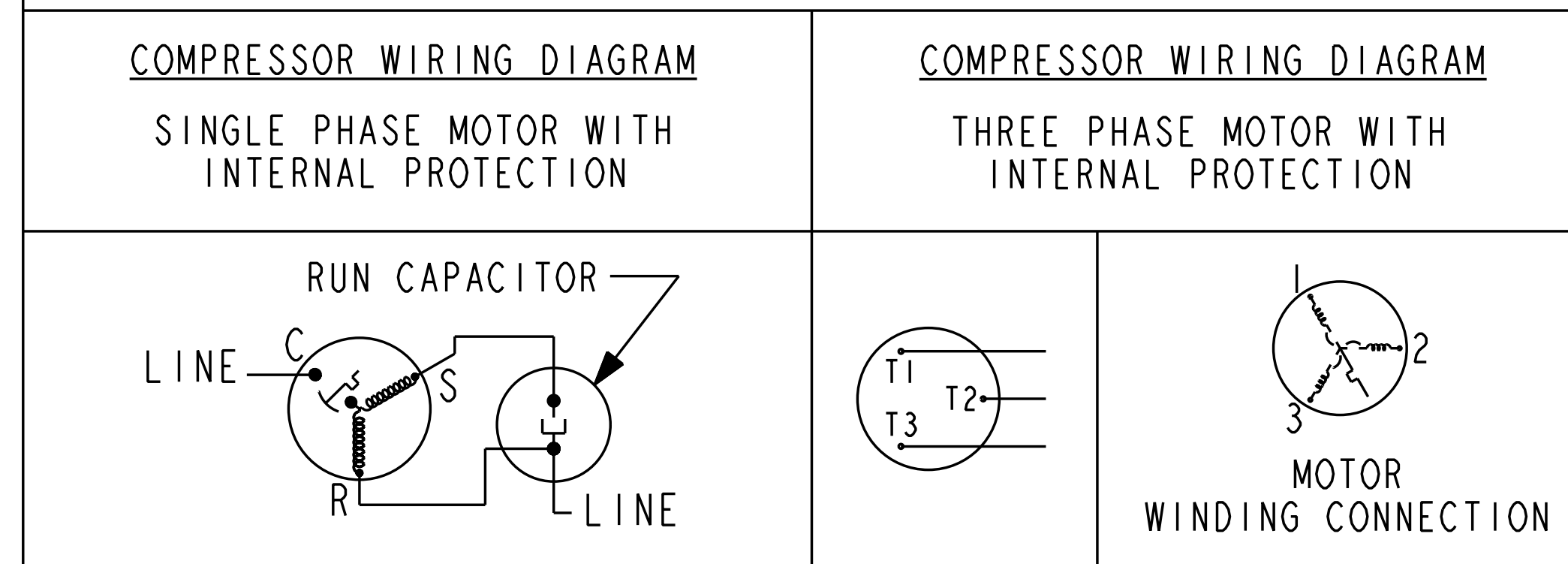
Ø 13.46 PIN CIRCLE
[Ø 0.530]
MODELS: PFV, PFJ, TFW, TF5

| GROMMET DUROMETER | | 4 FOOT KIT | |
|-------------------|--|-------------|--|
| 35-45 | | 527-0116-00 | |



DETAIL Y
SCALE 2:1

USE COPPER CONDUCTORS ONLY. USE MINIMUM 75° C WIRE FOR AMPACITY DETERMINATION. INTERNAL MOTOR PROTECTION - ALLOW TIME FOR RESET. OVERCURRENT PROTECTION DEVICE RATING AND TYPE MUST BE IN ACCORDANCE WITH REGULATORY AGENCY END PRODUCT APPROVALS - SEE SYSTEM NAMEPLATE. CRANKCASE HEATER, WHEN APPLIED, MUST BE CONNECTED ONLY TO ITS RATED VOLTAGE. TO CORRECT IMPROPER ROTATION OF THREE PHASE MODELS, SWITCH ANY TWO SUPPLY LINES. REFER TO THE APPLICABLE SYSTEM WIRING DIAGRAM.



INTERPRET PER ASME Y14.5M-1994 AND EMERSON CLIMATE TECHNOLOGIES, INC. DESIGN STANDARDS DS2002 DO NOT SCALE DRAWING

CRITICAL PRODUCT CHARACTERISTIC

THIRD ANGLE PROJECTION

UNLESS OTHERWISE SPECIFIED DIMENSIONS ARE MILLIMETER OR (INCH)

TOLERANCES:
1-PLACE \pm
2-PLACE \pm
ANGULAR \pm N/A

| REV. NO. | DESCRIPTION | DATE | BY | CHKD | APPR |
|-------------|--------------------------------------|----------|-----|------|------|
| ECN007693 | 48 ADDED ZR67KWE-PFV | 10-11-13 | RRP | BR | KJR |
| ECN005628 | 47 REVISED DIMENSIONS AND NOTES | 05-22-12 | PPJ | MA | KJR |
| ECN005512 | 46 ADDED MODEL ZR72KC-TFM | 04-24-12 | AZ | WH | QL |
| ECN001037 | 45 OBSOLETE MODEL ZR72KC-TF9 | 05-13-08 | INY | EC | KJR |
| ECN000075 | 44 ADDED MODEL ZR68KCE-TFE | 10-31-06 | PNA | EC | RST |
| 32-1205-047 | 43 REVISED DIMENSIONS AND NOTES | 12-16-05 | BMK | GDD | RST |
| 32-0705-032 | 42 REVISED & ADDED MODEL ZR54KCE-TF7 | 07-14-05 | PNA | GDD | RST |
| 32-0294-039 | 0 RELEASED | 02-17-94 | DC | GDD | RST |

THIS DRAWING AND INFORMATION CONTAINED HEREIN ARE THE EXCLUSIVE PROPERTY OF EMERSON CLIMATE TECHNOLOGIES, INC. AND SHALL BE RETURNED UPON DEMAND AND SHALL NOT BE REPRODUCED IN WHOLE OR IN PART, DISCLOSED TO ANYONE ELSE OR USED, WITHOUT THE WRITTEN CONSENT OF EMERSON CLIMATE TECHNOLOGIES, INC.

MATERIAL SPECIFICATION: N/A

DRAWN BY: OTL
DATE: 03-12-03
SUPERSEDES DWG. NO. / REV. NO.: 497-2562-00 / 41
SCALE: 3:4
DATE FORMAT: MM-DD-YY

TITLE: REF DWG-WELD COMP ASSM
DRAWING NUMBER: 497-2562-00
SHEET 1 OF 1