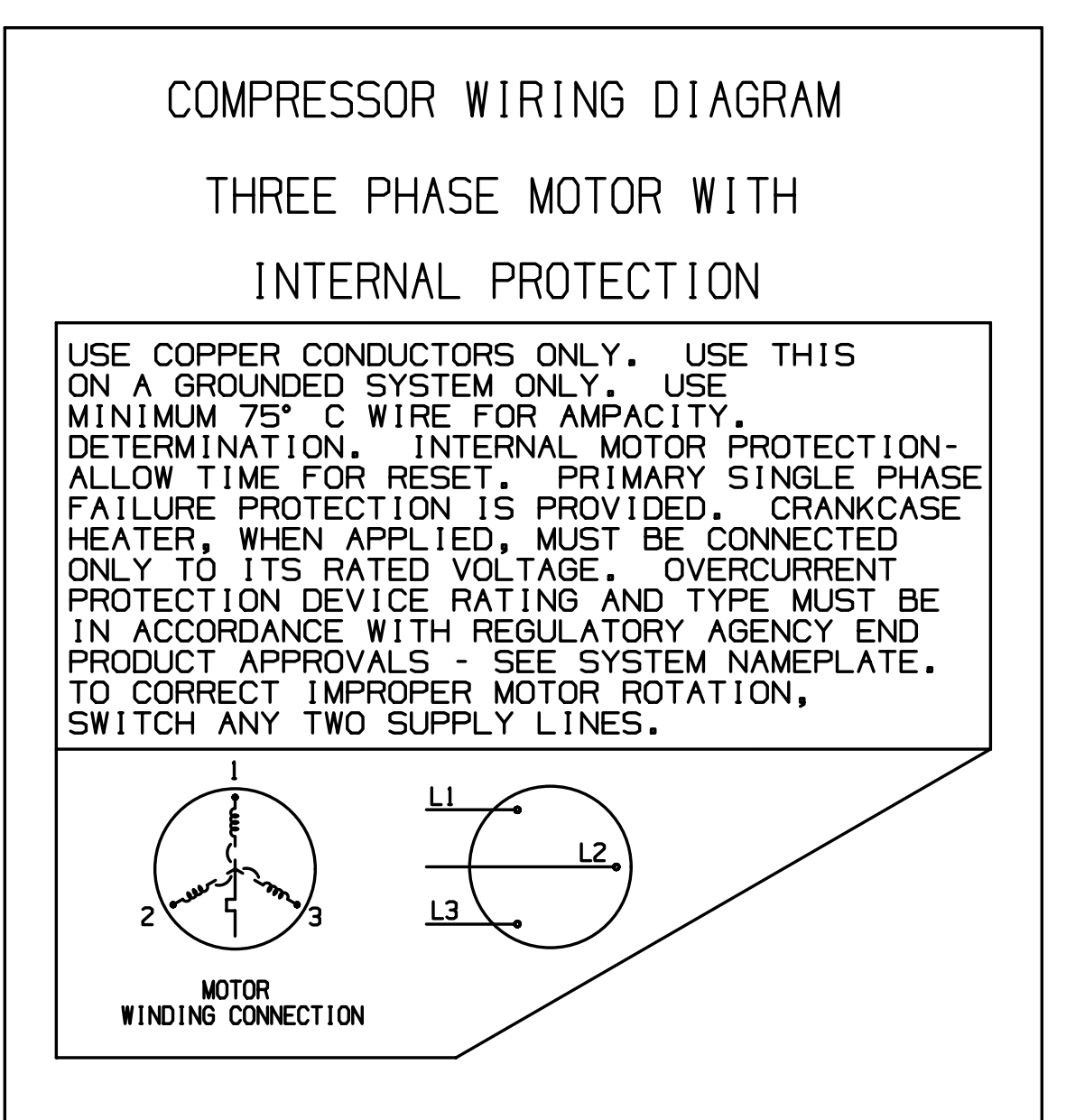


PART NUMBER	MODEL NUMBER	CUSTOMER CONNECTIONS	A	B	C	D	E	F	G	H	MOUNTING KIT
497-1674-00	ZP90KCE	BRAZED WITHOUT SIGHTGLASS WITHOUT OIL ADJUSTMENT	476.3 (18.75)	444.3 (17.49)	93.6 (3.69)	201.5 (7.93)	19.1 (0.75)	-	-	28.49-28.67 (1.122-1.129)	527-0116-00
497-1674-01	ZP103KCE ZP120KCE ZP137KCE	BRAZED WITHOUT SIGHTGLASS WITHOUT OIL ADJUSTMENT	533.2 (21.0)	501.2 (19.73)	122.1 (4.81)	242.8 (9.56)	19.1 (0.75)	-	-	34.84-35.02 (1.372-1.379)	527-0116-00
497-1674-02	ZP154KCE ZP182KCE	BRAZED WITHOUT SIGHTGLASS WITHOUT OIL ADJUSTMENT	551.6 (21.71)	519.6 (20.46)	140.5 (5.53)	261.2 (10.28)	33.3 (1.31)	-	-	34.84-35.02 (1.372-1.379)	527-0210-00
497-1674-03	ZR94KCE ZP90KCE	BRAZED WITH SIGHTGLASS WITH OIL ADJUSTMENT	476.3 (18.75)	444.3 (17.49)	93.6 (3.69)	201.5 (7.93)	19.1 (0.75)	67.6 (2.66)	74.3 (2.93)	28.49-28.67 (1.122-1.129)	527-0116-00
497-1674-04	ZR108KCE ZR125KCE ZR144KCE ZP103KCE ZP120KCE ZP137KCE	BRAZED WITH SIGHTGLASS WITH OIL ADJUSTMENT	533.2 (21.0)	501.2 (19.73)	122.1 (4.81)	242.8 (9.56)	19.1 (0.75)	92.3 (3.63)	92.3 (3.63)	34.84-35.02 (1.372-1.379)	527-0116-00
497-1674-05	ZR160KCE ZR190KCE ZP154KCE ZP182KCE	BRAZED WITH SIGHTGLASS WITH OIL ADJUSTMENT	551.6 (21.71)	519.6 (20.46)	140.5 (5.53)	261.2 (10.28)	33.3 (1.31)	92.6 (3.65)	92.6 (3.65)	34.84-35.02 (1.372-1.379)	527-0210-00

SPECIFICATIONS	
ES NO.	DESCRIPTION
ES92-155	CONVERSION-METRIC

- NOTES:
- 1 ALL TOLERANCES ± 1.5 (0.06) UNLESS OTHERWISE SPECIFIED. DUE TO ACCUMULATED ASSEMBLY TOLERANCES THE LISTED COMPONENTS MAY VARY FROM THE MOUNTING HOLES AS TABULATED.
 - 2 SUCTION FITTING ± 3.0 (0.12)
 - 3 DISCHARGE FITTING ± 3.0 (0.12)
 - 4 MOUNTING KIT
 - 3. TUBE ENDS MUST BE PLUGGED.
 - 4. GROUNDING SCREW AND WASHER PER BOM.



INTERPRET PER ASME
Y14.5M-1994 AND
EMERSON CLIMATE
TECHNOLOGIES, INC.
DESIGN STANDARDS DS2002
DO NOT SCALE DRAWING

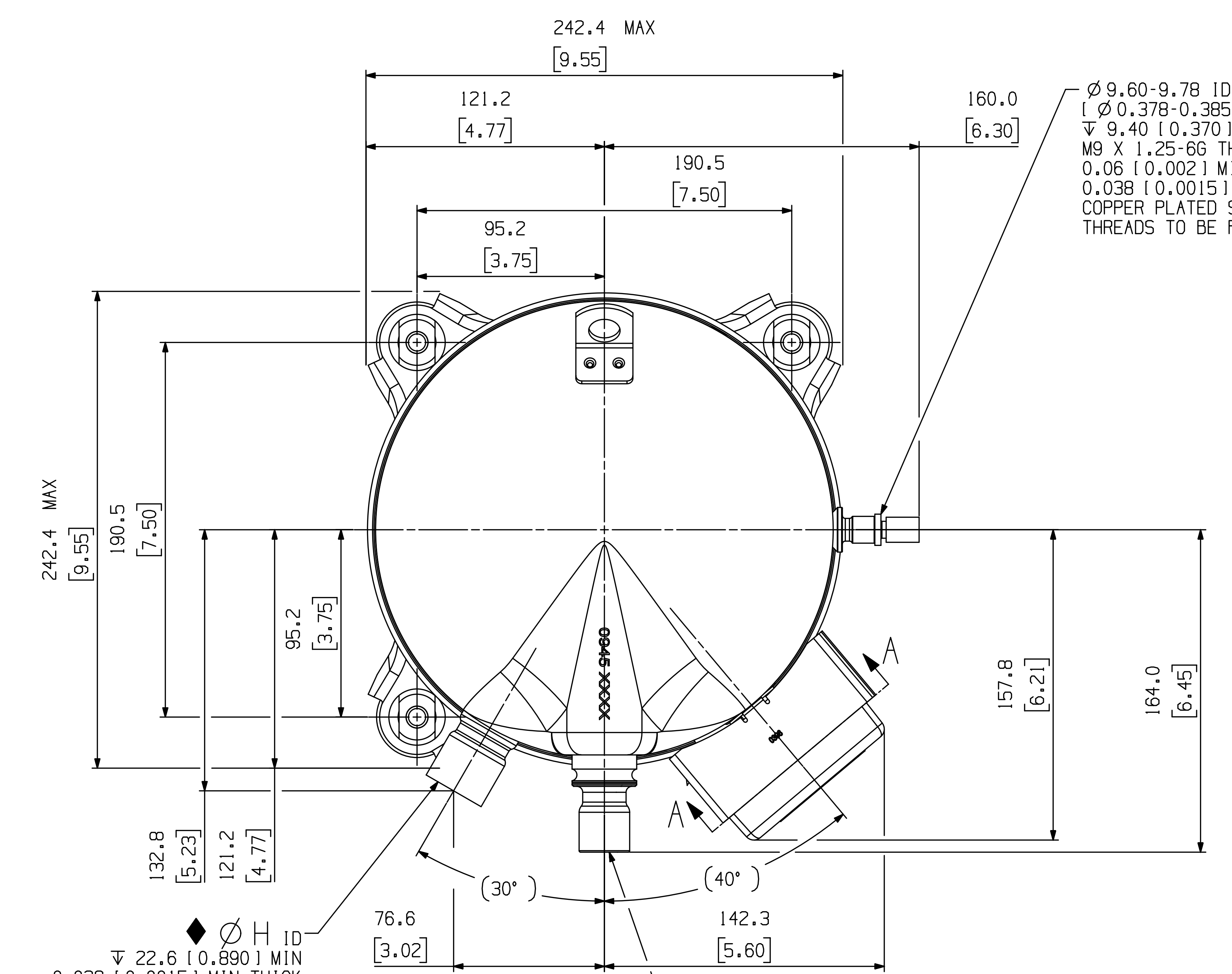
THIRD ANGLE
PROJECTION

CRITICAL PRODUCT
CHARACTERISTICS

UNLESS OTHERWISE SPECIFIED
DIMENSIONS ARE MILLIMETER OR 1 INCH

1-FLANGE
2-FLANGE
ANGULAR

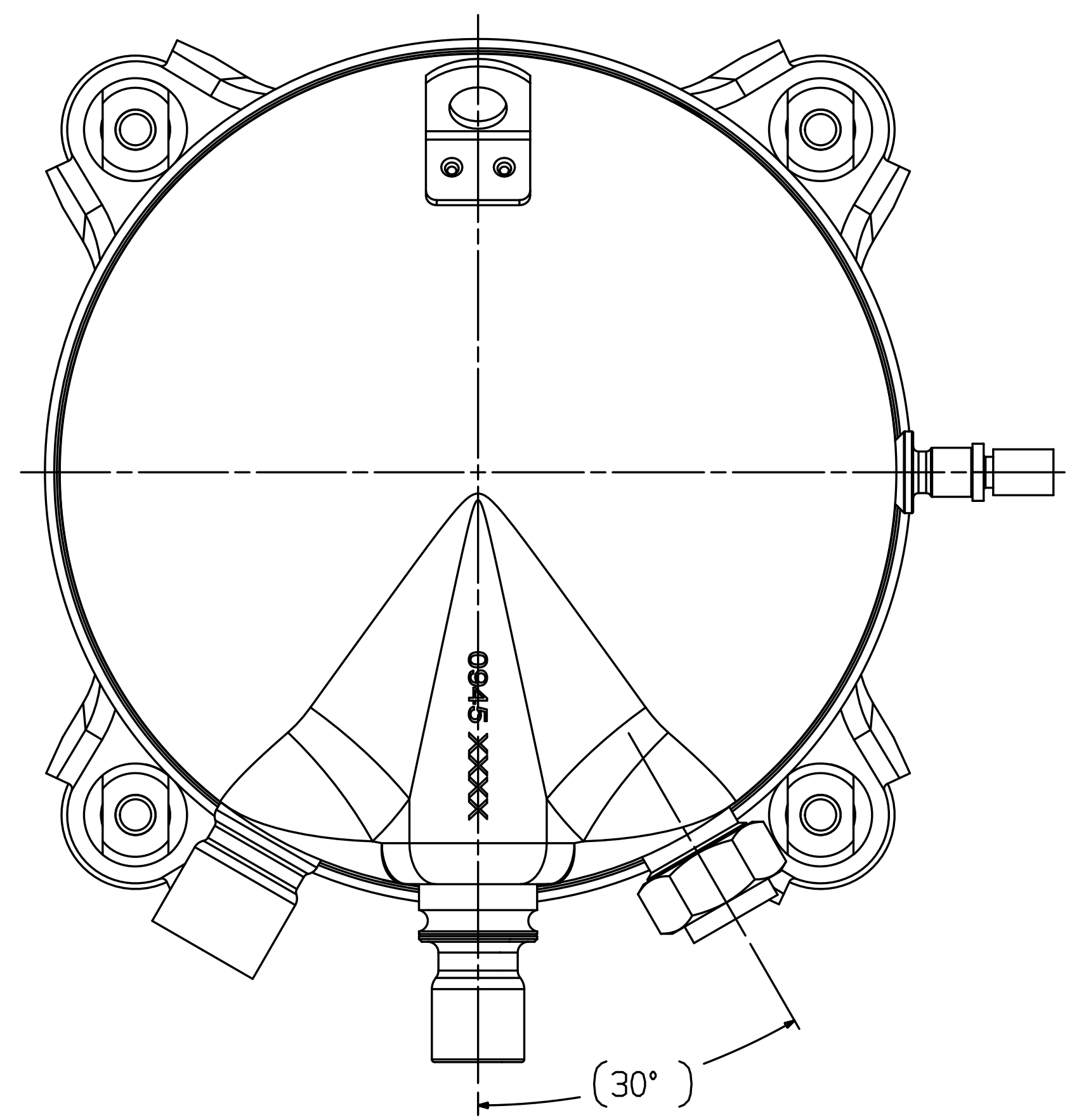
ECN008643	0	RELEASED	06-24-14	VPV	LLB	KJR
ENG NOTICE NO.	REV. NO.	REVISIONS	DATE	BY	CHKD	APPR
CONFIDENTIALITY NOTICE						
15 THIS DRAWING AND INFORMATION CONTAINED HEREIN ARE THE EXCLUSIVE PROPERTY OF EMERSON CLIMATE TECHNOLOGIES, INC. AND SHALL BE RETURNED UPON DEMAND AND SHALL NOT BE REPRODUCED IN WHOLE OR IN PART, DISCLOSED TO ANYONE ELSE OR USED, WITHOUT THE WRITTEN CONSENT OF EMERSON CLIMATE TECHNOLOGIES, INC.						
MATERIAL SPECIFICATION		DRAWN BY		SUPERSEDES DWG. NO. / REV. NO.		
N/A		VPV		/		
DATE		SCALE		DATE FORMAT		
06-24-14		1:1		MM-DD-YY		
TITLE			DRAWING NUMBER		SHEET 1 OF 2 (END)	
REF DWG-WELD COMP ASSM			497-1674-00		5	



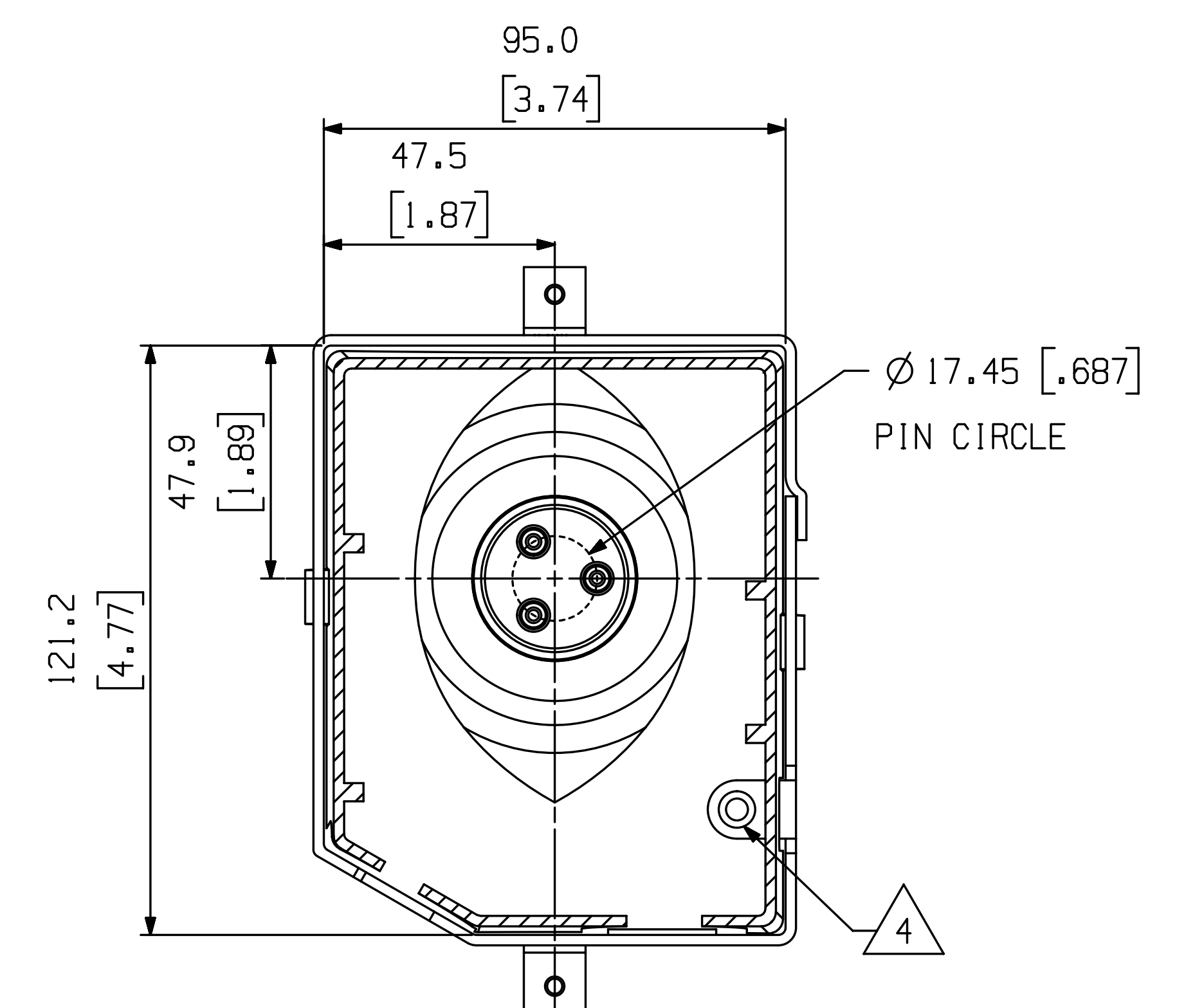
\diamond \varnothing H ID
 ∇ 22.6 [0.890] MIN
 0.038 [0.0015] MIN THICK
 EXTERIOR AND INTERIOR COPPER
 PLATED STEEL SUCTION FITTING

\diamond \varnothing 9.60-9.78 ID
 ∇ 0.378-0.385 [0.015]
 ∇ 9.40 [0.370] MIN
 M9 X 1.25-6G THRU
 0.06 [0.002] MIN THICK EXTERIOR AND
 0.038 [0.0015] MIN THICK INTERIOR
 COPPER PLATED STEEL OIL LEVEL FITTING.
 THREADS TO BE FREE OF COPPER PLATING.

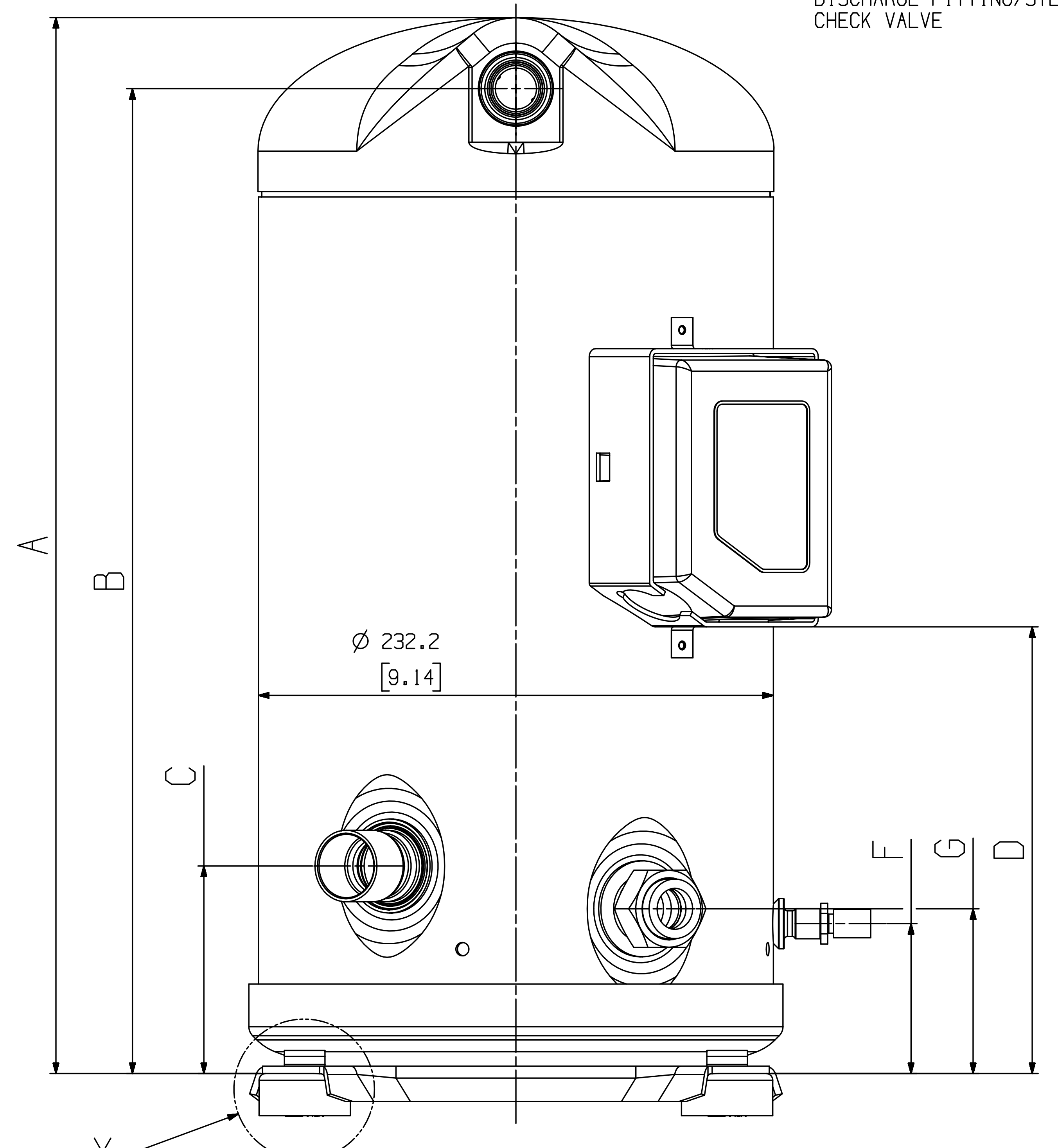
\diamond \varnothing 22.30-22.42 [0.878-0.883] ID
 ∇ 20.0 [0.787] MIN.
 0.038 [0.0015] MIN. THICK EXTERIOR
 AND INTERIOR COPPER PLATED
 DISCHARGE FITTING/STEEL
 CHECK VALVE



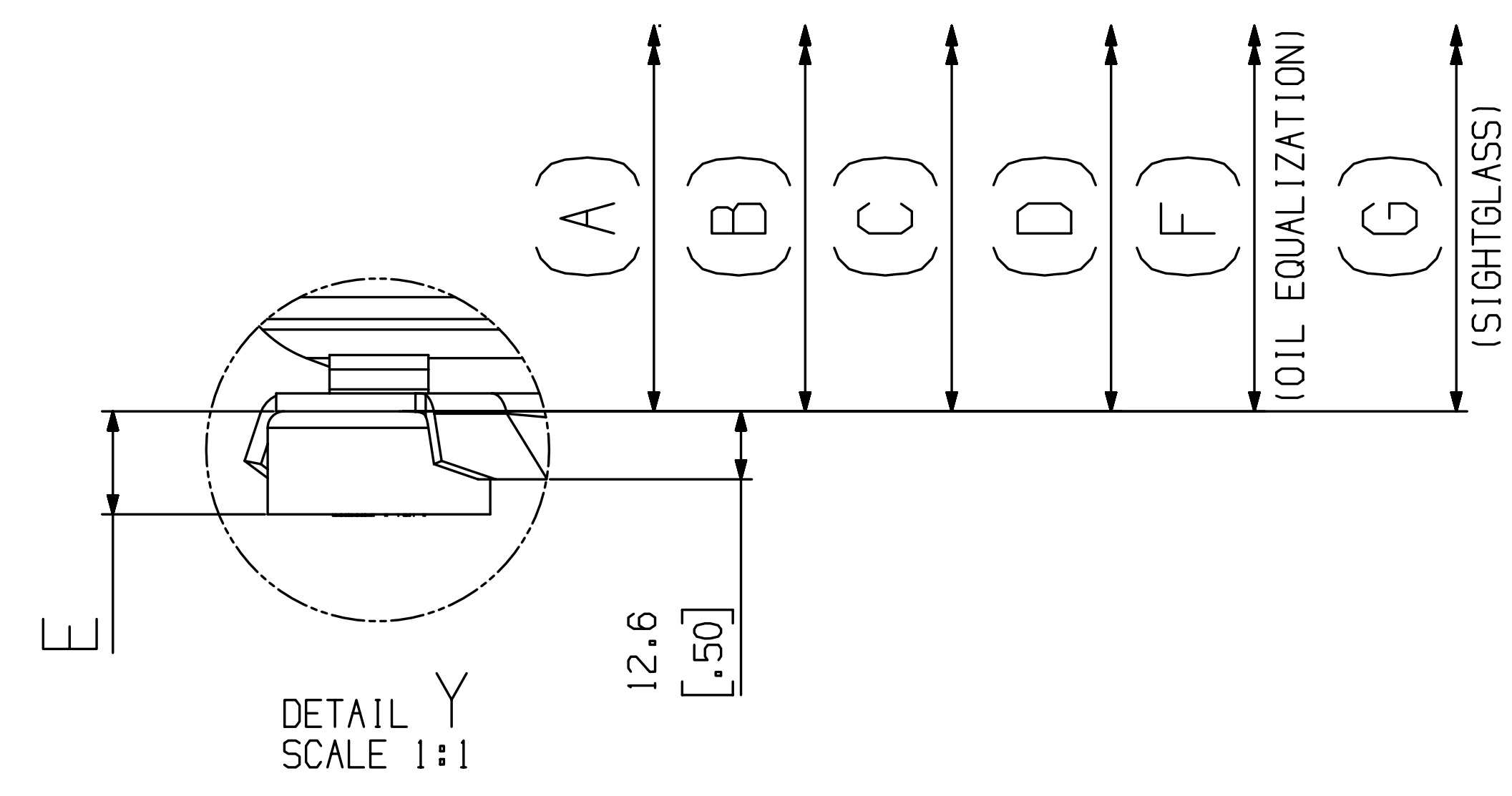
SIGHTGLASS LAYOUT
T-BOX REMOVED



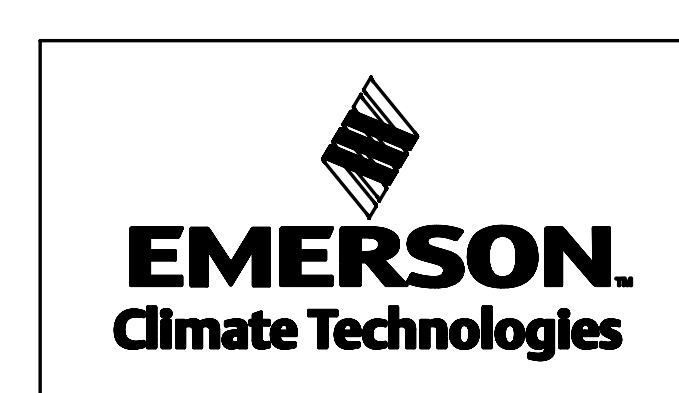
T-BOX LAYOUT STANDARD
SECTION A-A
SCALE 1:1



SEE DETAIL Y



DETAIL Y
SCALE 1:1



INTERPRET PER ASME
 Y14.5-1994 AND
 EMERSON CLIMATE
 TECHNOLOGIES, INC.
 DESIGN STANDARDS DS2002
 DO NOT SCALE DRAWING
 THIRD ANGLE
 PROJECTION
 CRITICAL PRODUCT
 CHARACTERISTICS
 UNLESS OTHERWISE SPECIFIED
 DIMENSIONS ARE MILLIMETER OR 1 INCH
 1-FLANGE
 2-FLANGE
 3-FLANGE
 4-FLANGE
 5-FLANGE
 6-FLANGE
 7-FLANGE
 8-FLANGE
 9-FLANGE
 10-FLANGE
 11-FLANGE
 12-FLANGE

ECN008643	0	RELEASED	06-24-14	VPV	LLB	KJR
ENG NOTICE NO.	REV. NO.	REVISIONS	DATE	BY	CHKD	APPR
CONFIDENTIALITY NOTICE						
15 THIS DRAWING AND INFORMATION CONTAINED HEREIN ARE THE EXCLUSIVE PROPERTY OF EMERSON CLIMATE TECHNOLOGIES, INC. AND SHALL BE RETURNED UPON DEMAND AND SHALL NOT BE REPRODUCED IN WHOLE OR IN PART, EITHER ORALLY OR IN WRITING, WITHOUT THE WRITTEN CONSENT OF EMERSON CLIMATE TECHNOLOGIES, INC.						
MATERIAL SPECIFICATION			DRAWN BY			
N/A			VPV			
DATE			SUPERSEDES DWG. NO. / REV. NO.		DATE	
06-24-14			314		MM-DD-YY	
TITLE			DRAWING NUMBER		SHEET 2 OF 2 (DWG)	
REF DWG-WELD COMP ASSM			497-1674-00		5	