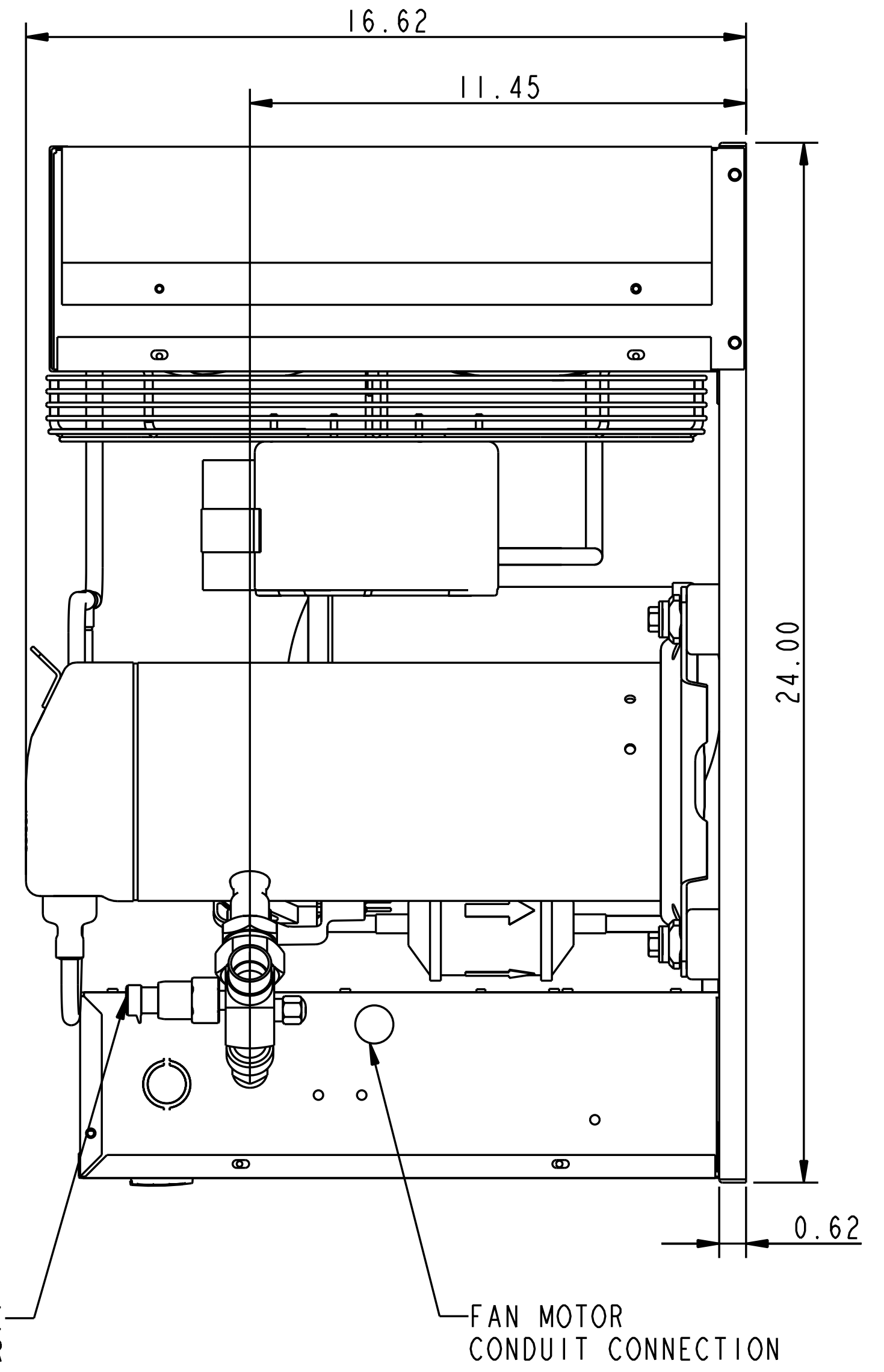
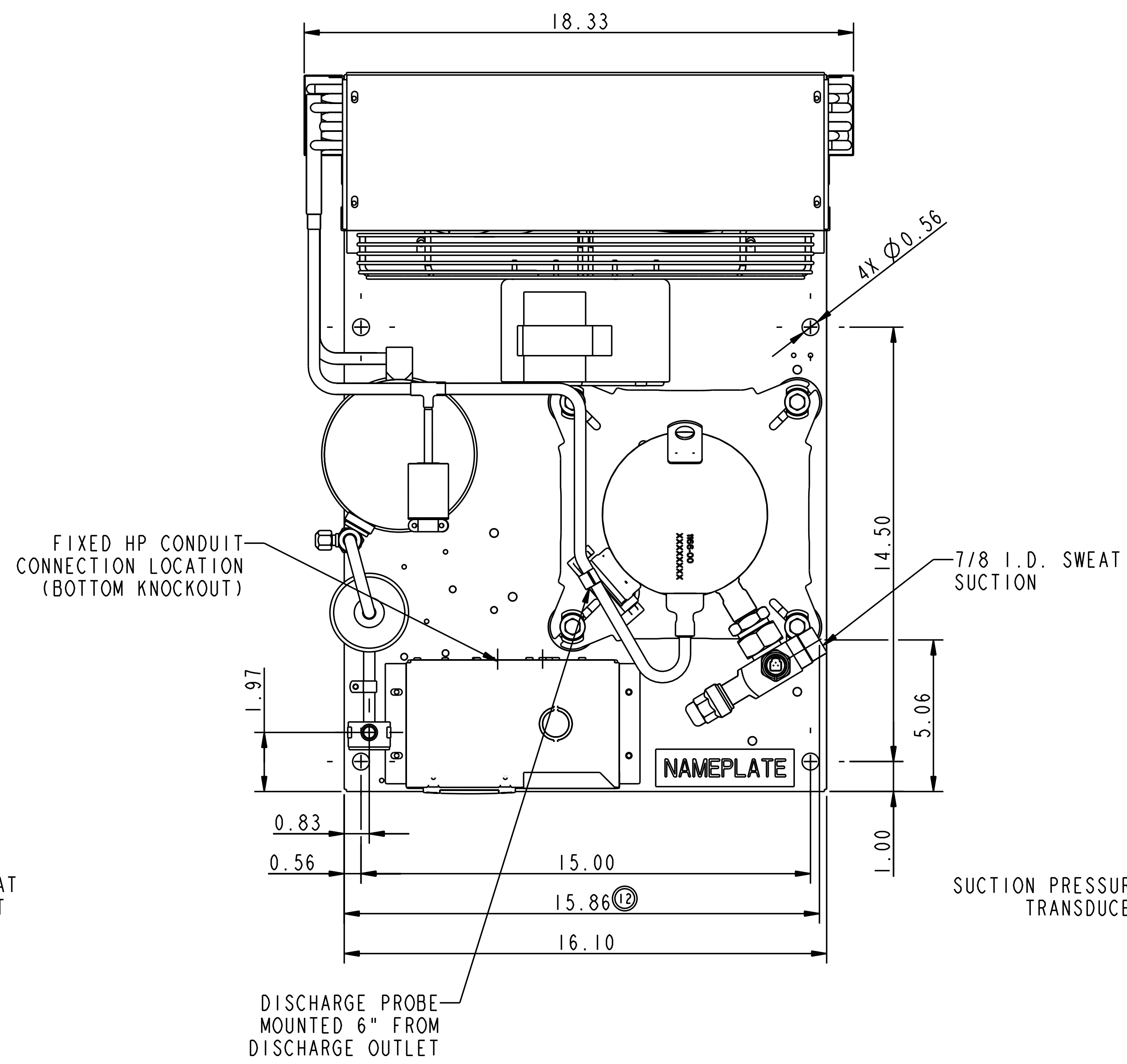
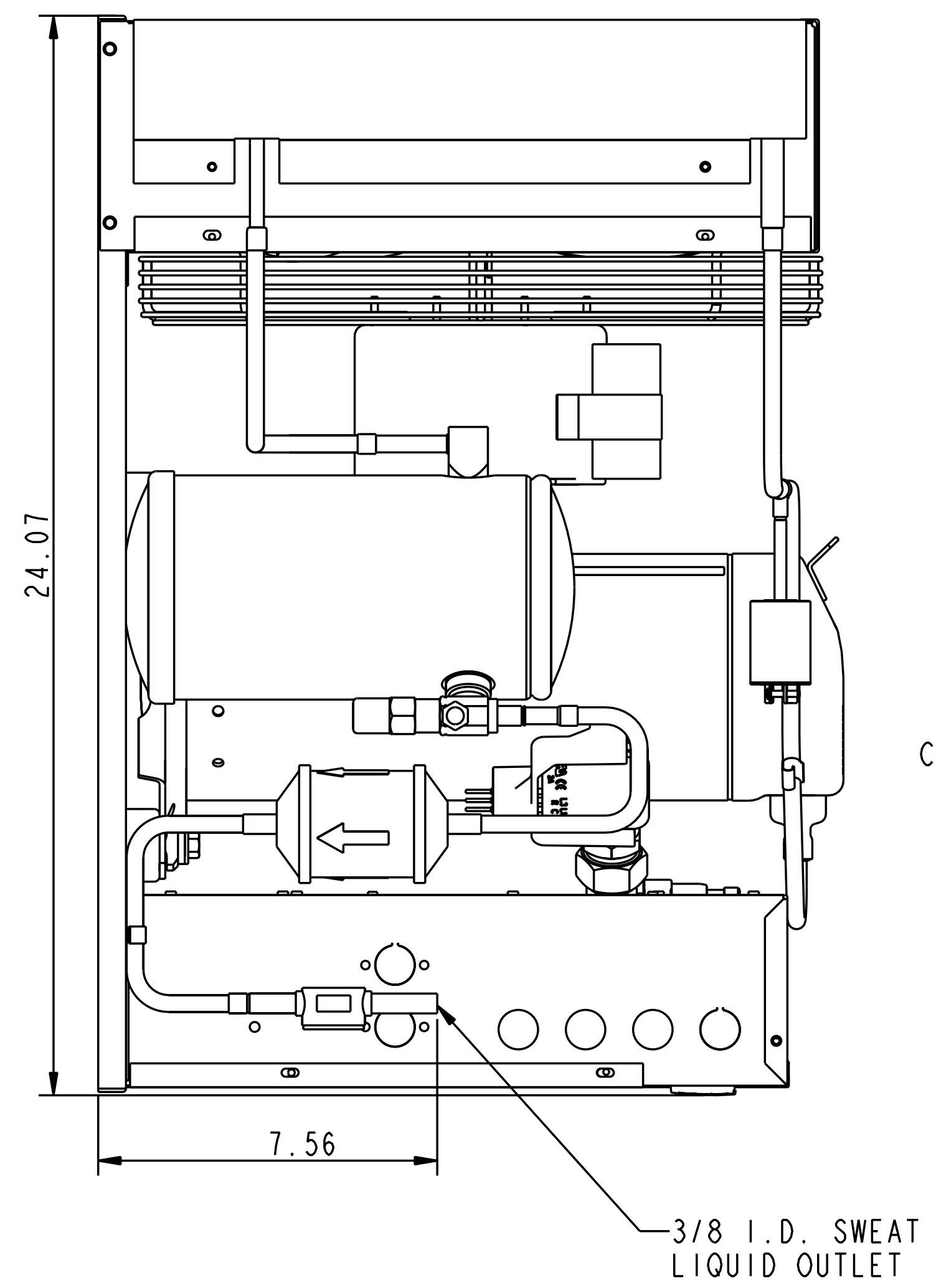


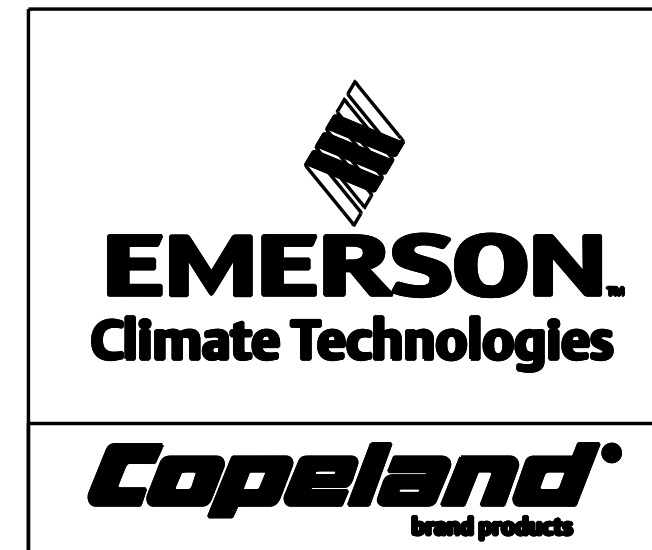
UNIT MODEL NUMBER	COMPRESSOR_MODEL_NO	PUMPDOWN_CAPACITY
FFAP-015Z-CFV-072	ZS09KAE-PFV	R-404A 8.9 LBS
FFAP-015Z-TFC-072	ZS09KAE-TF5	R-404A 8.9 LBS
FFAP-015Z-TFD-072	ZS09KAE-TFD	R-404A 8.9 LBS
FFAP-015Z-CFZ-372	ZS09KAE-PFJ	R-404A 8.9 LBS
FPAK-013Z-CFV-072	ZS15KAE-PFV	R-404A 8.9 LBS
FPAK-013Z-CFZ-372	ZS15KAE-PFJ	R-404A 8.9 LBS
FPAK-013Z-TFC-072	ZS15KAE-TF5	R-404A 8.9 LBS
FPAK-013Z-TFD-072	ZS15KAE-TFD	R-404A 8.9 LBS
FPAK-015Z-CFV-072	ZS19KAE-PFV	R-404A 8.9 LBS
FPAK-015Z-TFC-072	ZS19KAE-TF5	R-404A 8.9 LBS
FPAK-015Z-TFD-072	ZS19KAE-TFD	R-404A 8.9 LBS
FPAK-015Z-TFM-372	ZS09KAE-TFD	R-404A 8.9 LBS
FPAK-015Z-CFZ-372	ZS19KAE-PFJ	R-404A 8.9 LBS

- NOTES:
- ALL OPENINGS MUST BE CAPPED OR PLUGGED.
 - PUMPDOWN CAPACITY @ 90% (SEE CHART)



ENG NOTICE NO.	REV. NO.	REVISIONS	DATE	BY	CHKD	APPR
ECN007612	12	REVISED DISCHARGE TUBE ASSEMBLY	12-17-13	VDD	TR	
ECN007875	11	REMOVED UNITS FFAP-017Z-CFV/TFC/TFD-072	11-27-13	VDD	TR	
ECN004755	0	RELEASED	11-23-11	MDJ	TR	

CONFIDENTIALITY NOTICE			
6 THIS DRAWING AND INFORMATION CONTAINED HEREIN ARE THE EXCLUSIVE PROPERTY OF EMERSON CLIMATE TECHNOLOGIES, INC. AND SHALL BE RETURNED UPON DEMAND AND SHALL NOT BE REPRODUCED IN WHOLE OR IN PART, DISCLOSED TO ANYONE ELSE OR USED, WITHOUT THE WRITTEN CONSENT OF EMERSON CLIMATE TECHNOLOGIES, INC.			
MATERIAL SPECIFICATION	DRAWN BY SSD	SUPERSEDES DWG. NO. / REV. NO. 496-5716-00 / 10	
	DATE 11-27-13	SCALE 3:8	DATE FORMAT MM-DD-YY
TITLE REF. DWG. -WELD UNIT ASSM.	DRAWING NUMBER 496-5716-00	SHEET 1 OF 1	DWG SIZE 4



INTERPRET PER ASME Y14.5M-1994 AND EMERSON CLIMATE TECHNOLOGIES, INC. DESIGN STANDARDS DS2002. DO NOT SCALE DRAWING.

THIRD ANGLE PROJECTION

CRITICAL PRODUCT CHARACTERISTIC

UNLESS OTHERWISE SPECIFIED TOLERANCES ARE INCH OR (MILLIMETER)

2-PLACE ±
3-PLACE ±
ANGULAR ±