


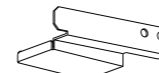
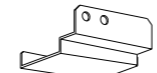
Specifications	
Rated Voltage	Electric Power
208 / 230 V	98 / 120 W

BEFORE INSTALLATION

The defrost heater prevents freezing of outdoor unit base. The base may freeze when the heating operation is performed for a long time in very low temperature, high humidity condition.

- Wear protective equipment such as gloves for your safety.
- Be careful not to cut your hands with the aluminum tape.
- Be careful not to wet electrical parts with water or snow during installation. Wet electrical parts could cause malfunction.
- Do not install the outdoor unit directly on the ground. Install the outdoor unit on a raised platform, such as on racks, to suppress freezing.

Components

① Defrost heater	1	④ Cable tie	1	⑦ Heater cover A	1	⑧ Heater cover B	1	⑨ Heater cover C	1
② Aluminum tape	3	⑤ Self drilling screw	9						
③ Heater support	2	⑥ Clamp	1						

THE FOLLOWING SHOULD ALWAYS BE OBSERVED FOR SAFETY

- Be sure to read these safety precautions and instructions.
- Be sure to observe the warnings and cautions specified here as they include important items related to safety.
- After reading this manual, be sure to store it for future reference.

WARNING (Could lead to death, serious injury, etc.)

- **Do not install the unit by yourself (user).**
Incomplete installation could cause fire, electric shock, or injury due to the unit falling, or leakage of water. Consult the dealer from whom you purchased the unit or a qualified installer.
- **Ground the unit correctly.**
Do not connect the ground to a gas pipe, water pipe, lightning rod, or telephone ground. Defective grounding could cause electric shock.
- **Be sure to use the parts provided or specified parts for the installation work.**
Incomplete installation could cause fire, electric shock, or injury.

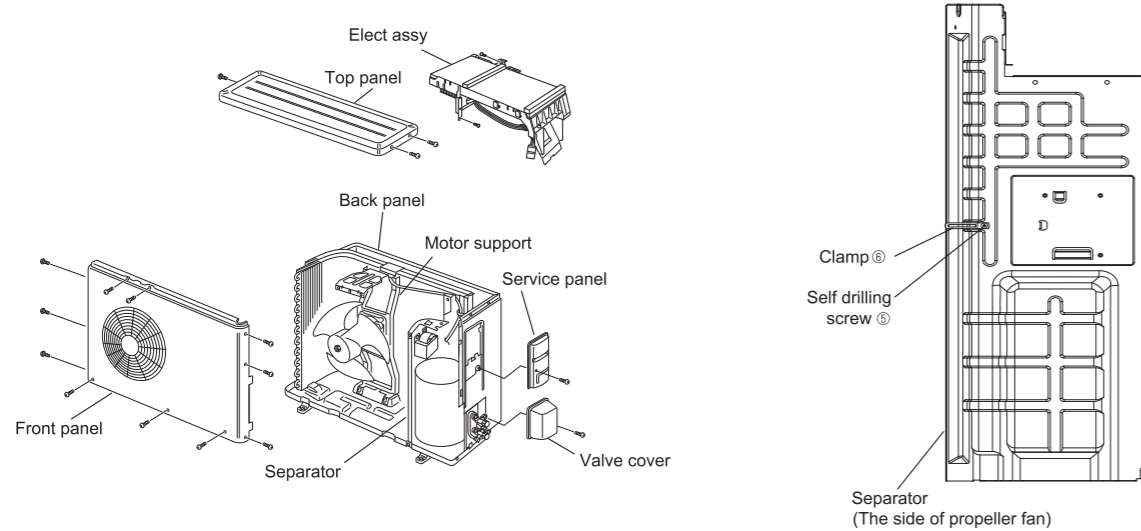
CAUTION (Could lead to serious injury in particular environments when operated incorrectly.)

- **Depending on the installation area, install a Ground Fault Interrupt (GFI) circuit breaker.**
If the Ground Fault Interrupt (GFI) circuit breaker is not installed, an electric shock could occur.

1. PREPARING FOR INSTALLATION

- Make sure to switch off the power supply or turn off the breaker.
- Remove the top panel, front panel, service panel, valve cover, back panel, motor support, and elect Assy.
- Fix the clamp ⑥ to the separator with the self drilling screw ⑤.

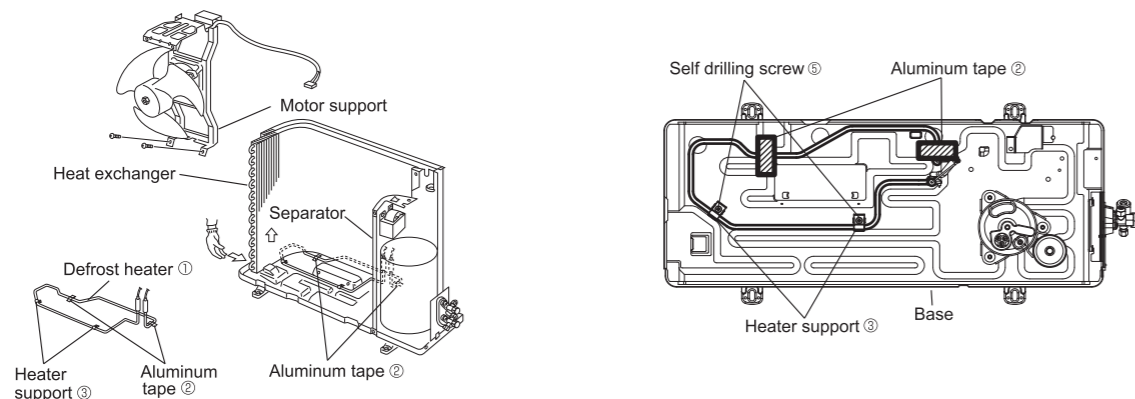
* Refer to the figure below for the detailed procedures described in this section.



2. INSTALLING THE HEATER

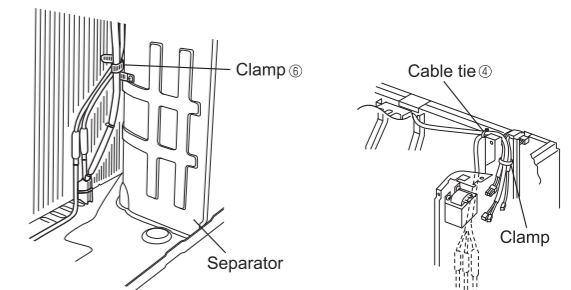
- Hold the left lower side of the heat exchanger, and slightly lift up the heat exchanger.
- Insert the defrost heater ① under the heat exchanger, and align it with the groove on the base. After positioning the defrost heater ①, secure it to the base with the aluminum tape ②. In order to fix the defrost heater ① to the base, fix the heater support ③ to the base with 2 self drilling screws ⑤.
- Put the heat exchanger back in place, and install the motor support and the propeller fan.

* Refer to the figure below for the detailed procedures described in this section.



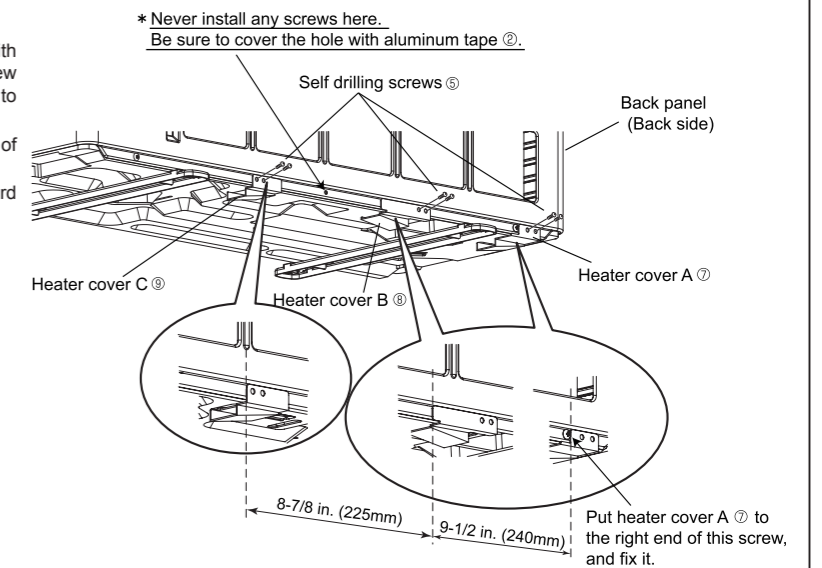
3. FIXING THE WIRES

- Secure the lead wires of the defrost heater ① with the clamp ⑥.
* If the lead wires slacken, there is a possibility that they touch the propeller fan.
- Place the lead wires of the defrost heater ①, fan motor, and ambient temp. thermistor as shown in the figure at right. Secure them with the cable tie ④. Secure all the wires tightly with the clamp as shown in the figure at right.
* If the lead wires slacken, there is a possibility that they touch the propeller fan. Be sure to secure the wires with the cable tie ④ for safety. Cut off the surplus of the cable tie ④.
- Install the elect Assy on the fixed place. Connect the lead wires from the defrost heater ① to CN22 on the inverter P.C. board.



4. INSTALLING THE HEATER COVERS

- Reinstall the back panel, and fix the heater cover A, B, and C (⑦, ⑧, ⑨) with the self drilling screws ⑤ as shown in the figure at right. The center screw at the bottom of the back side of the back panel will not be used. Be sure to cover the hole for that screw with aluminum tape ②.
* When screwing the heater covers, be careful not to damage a copper pipe of the condenser (heat exchanger).
* Be sure to install the heater cover A, B, and C (⑦, ⑧, ⑨) in order to guard against a direct touch on the defrost heater ①, which may cause a burn.



5. AFTER INSTALLATION

- Reinstall the front panel, top panel, service panel, and valve cover.
- Turn on the breaker, and perform test run to confirm that it works properly.
* Do not install either drain socket which is provided with the outdoor unit or purchased separately. Inside of the drain hose and/or drain socket may freeze if the drain socket is installed.