

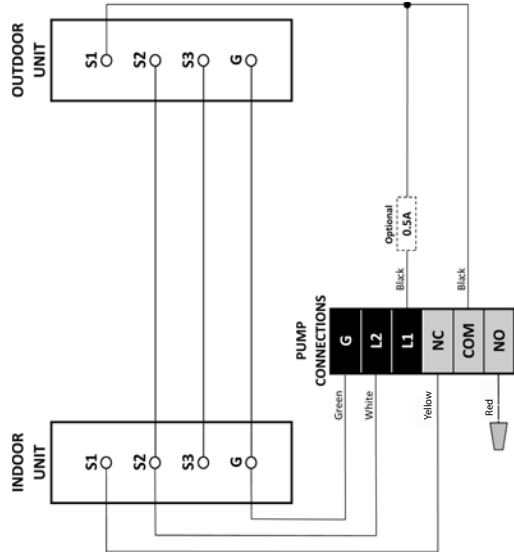
MaxiBlue

Mitsubishi Electric Wiring Diagrams

Mr. Slim 230 volt **M-Series** models - Maxi Blue Pump

Verify pump voltage before installation

The installation below will require the black plug be removed from the pump power cable

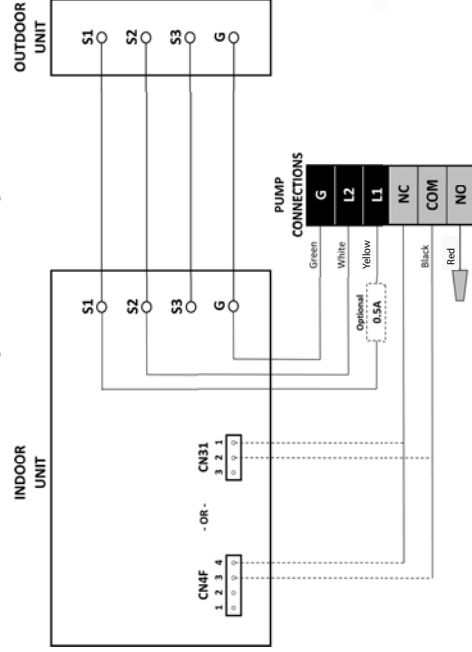


Mr. Slim 230 volt **P-Series** models - Maxi Blue Pump

Verify pump voltage before installation

The installation below will require the black plug be removed from the pump power cable.

Current P-Series indoor units will have either a CN4F or CN31 drain safety connector. Identify which is present and wire according to the diagram below. Older models may not have one of these connectors. If this is the case, wire according to the M-Series diagram.



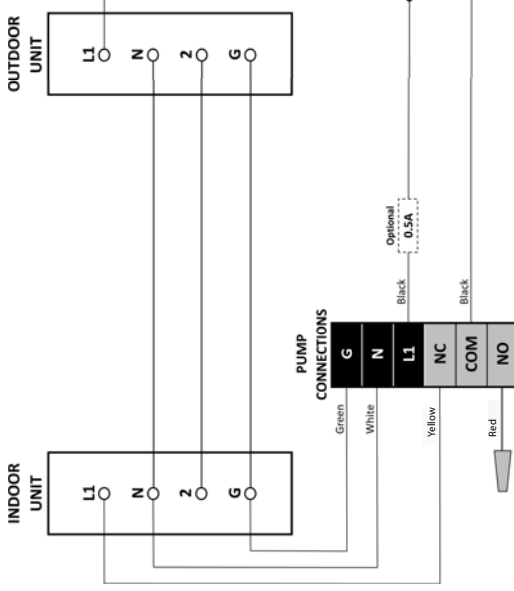
MaxiBlue

Mitsubishi Electric Wiring Diagrams

Mr. Slim 115 volt **M-Series** Non-inverter models - Maxi Blue Pump

Verify pump voltage before installation

The installation below will require the black plug be removed from the pump power cable

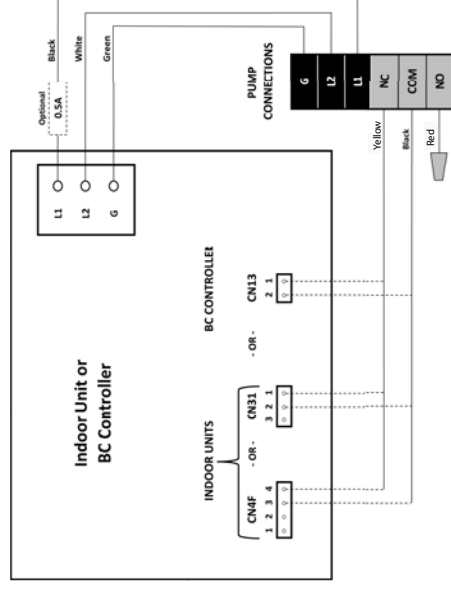


CITY MULTI 230 volt models - Maxi Blue Pump

Verify pump voltage before installation

The installation below will require the black plug be removed from the pump power cable.

CITY MULTI indoor units will have either a CN4F or CN31 drain safety connector. Identify which is present and wire according to the diagram below. If installing the pump on a BC controller, wire to CN1.3 connector as shown.



PATENTED

BlueDiamond™

The only fit and forget condensate pumps

Mitsubishi Electric Cooling & Heating

Quick Start Details

for

MaxiBlue



manufactured by:
Charles Austen
Pumps Ltd



Warranty

Blue Diamond pumps are manufactured under Charles Austen Pumps strict quality control system. In the unlikely event of failure within 2 years from the date of purchase under normal usage, Charles Austen Pumps will repair the item free of charge subject to the following conditions:-

Two year warranty from delivery date in conjunction with our conditions of sale.

Charles Austen pumps will decline any responsibility if the installation of the pump does not conform to our instructions and specifications. Any modifications to the unit will immediately void the warranty. We reserve the right to alter any specification without prior notification.

These pumps have been evaluated for use with water only (25°C)
'Evalué pour usage avec de l'eau (25°C)

Cleaning & Maintenance

Blue Diamond condensate removal pumps will tolerate some dust and sludge. However, if the reservoir or sensors require cleaning, use warm soapy water and take care not to damage the sensors.
After any cleaning or maintenance work, carry out an operational test before using the pump.



Disposal of the product
All electrical and electronic products should be disposed of separately from the general waste system through designated collection facilities provided by the government or local authorities.



Blue Diamond
Pumps Inc

522 Palmero Court,
Buford, GA, 30518, USA

Email: info@bluediamondpumps.com Web: www.bluediamondpumps.com

*Please refer to full installation instructions for full product and safety details

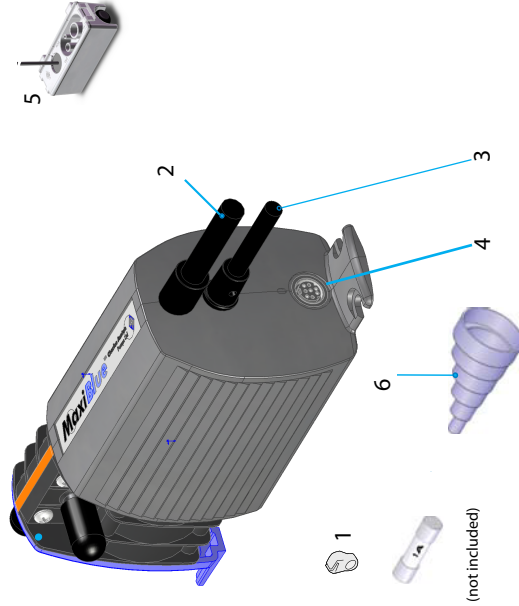
BlueDiamond™

The only fit and forget condensate pumps

Blue Diamond Pumps are self priming pumps designed to quickly and efficiently remove condensed water from refrigeration and air conditioning systems where gravity drainage is not practical. (Indoor use only)

The pumps are operated by either full reservoir sensing with zero volt alarm output, the hot & cold thermistor sensor or DrainStik™ with zero volt alarm output (recommended).

In The Box



(not included)

Pump Assembly

- Hose clip x1
- 2m mains lead
- Dry contact alarm lead (reservoir and DrainStik™ only)
- Sensor input socket
- Reservoir
- Stepped adaptor

Safety Warning

Be sure that the power to the unit is disconnected before installing, servicing or removing any component.
Do not store or install the pump in a damp environment.
The unit must not be placed outside, immersed in water or exposed to frost. All existing collection elements and fittings should be thoroughly cleaned before installing. Do not install if damaged.

Précautions de sécurité

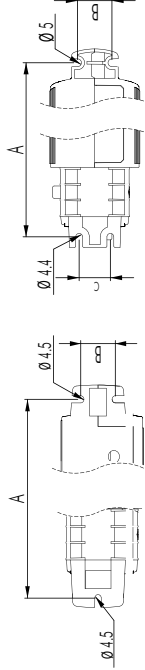
Assurez-vous qu'il n'y a pas de courant avant que vous installiez ou remplacez chaque pièce.
Ne stockez ou gardez pas la pompe dans un environnement humide.
Ne pas installer dehors, immerger en eau ou exposer au gel.
Tous éléments & pièces doivent être nettoyés profondément avant installation. Ne pas installer si endommagé.

Performance Chart

	A	B	
Flow L/hr (Gph)	14 (3.7)	5 (16.4)	8 (26.24)
Lift m (ft)	5 (16.4)	8 (26.24)	230 & 110
Supply Voltage			230 & 110
Fuse A			0.5

Mounting Detail

The pump may be mounted in any position but must be kept DRY.

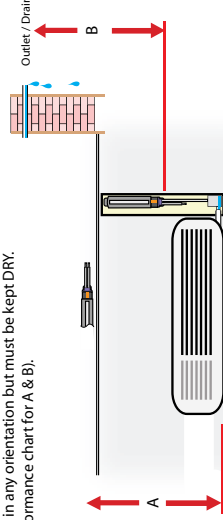


	A	B	C
MaxiBlue	142mm (4.8")	22mm (0.86")	20mm (0.79")

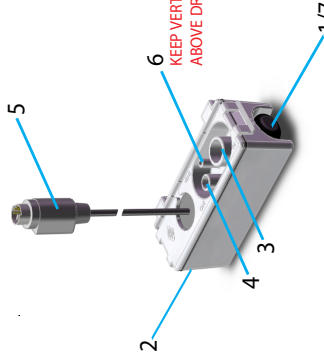
Installation

Leave sufficient space around the pump unit to allow for cooling. When all other installation tasks have been completed, connect the mains cable (Live, Neutral and Earth) to a suitable mains supply. The mains supply should be fused (see table).

Placement of the pump - Ensure that the pump is not more than A above the condensate outlet, and not more than B below the desired drainage point for the pump outlet. The pump can be mounted in any orientation but must be kept DRY. (See performance chart for A & B).



Reservoir Sensing Option



Reservoir Specification

W x D x H 3.6" x 1.4" x 1.5"
Fixing hole centres 2.4"
Thermistor sensing @ <86°F

1. Reservoir Installation

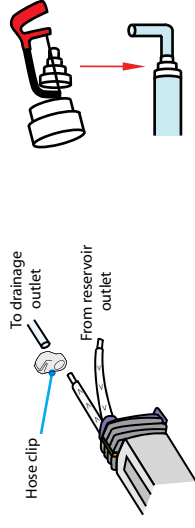
Choose to use either the top or side IN & OUT connections and fit blanking plugs to the unused ports. Connect the reservoir outlet to the inlet of the pump & the flexible condensate inlet to the condensate tray hose. The reservoir is fitted with a vent tube, which must remain unblocked with the free end secured above the full level of the condensate drip tray. Ensure the reservoir assembly is secured in a VERTICAL position using the screws supplied.

Reservoir Assembly

- Condensate inlet tube Ø14mm ID - side
- Condensate outlet spout Ø8mm OD - side
- Condensate inlet tube Ø14mm ID - top
- Condensate outlet spout Ø8mm OD - top
- Level sensor plug + 2m lead
- Vent tube
- Blanking plugs

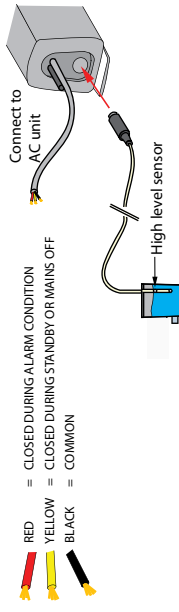
2. Connect Tubing

Connect the discharge tube of the pump to a suitable drainage system using the hose clip supplied. A stepped adaptor is also supplied to convert various tube diameters.



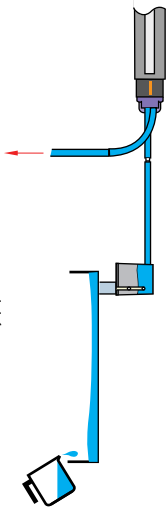
3. Zero volt dry contact

The alarm lead should interrupt line voltage with the contact

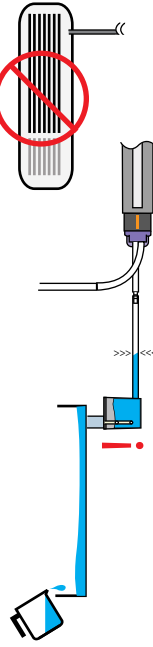


4. Commissioning & Test

The operational test ensures that the pump responds to the water level & that the pump switches off when dry. To test, slowly pour cold water into the tray until the pump switches on. Allow the pump to run and switch off. The pump should run for approximately 20 seconds after emptying the reservoir/condensate tray pipe.



To ensure that the alarm connection is working, restrict the outlet of the reservoir/DrainStik™ hose and fill with water up to the high level sensor. The pump will turn on initially, then after a short delay the alarm relay will switch, detected using a multimeter, or observing the shut down of the AC unit. Allow the water to exit the reservoir; the water should then be pumped away, and AC operation will restart.



Important Note

Before running, ensure the condensate tray is free from debris. The inlet & outlet of the pump are connected correctly. All tubing is watertight and kink free.