




Job Name:

System Reference:

Date:

| Indoor Unit: MFZ-KJ18NA | Outdoor Unit: MUFZ-KJ18NAHZ | Wireless Remote Controller |
|---|--|---|
|  |  |  |

GENERAL FEATURES

- Floor-mounted indoor unit mounts on the floor or up to 5" above the floor
- Floor front panel access to the filter for ease of cleaning
- Perfect for difficult areas that may be smaller or don't have usable space on the walls
- Multiple fan speed options: Quiet, Low, Medium, High, Super-high, Auto
- Quiet operation
- Multi-flow vane for faster heating
- Multiple control options available:
 - Hand-held Remote Controller (provided with unit)
 - kumo cloud® smart device app for remote access
 - Third-party interface options
 - Wired or wireless controllers
- Unit can be recessed mounted into wall

SPECIFICATIONS: MFZ-KJ18NA & MUFZ-KJ18NAHZ

| | | | | |
|-------------------------------|--|---------|-------------------------|------|
| Cooling ¹ | Maximum Capacity | Btu/h | 22,500 | |
| | Rated Capacity | Btu/h | 17,000 | |
| | Minimum Capacity | Btu/h | 5,300 | |
| | Maximum Power Input | W | 2,320 | |
| | Rated Power Input | W | 1,350 | |
| | Moisture Removal | Pints/h | 4.4 | |
| | Sensible Heat Factor | | | 0.65 |
| | Power Factor | % | 97/97 | |
| Heating at 47°F ² | Maximum Capacity | Btu/h | 29,000 | |
| | Rated Capacity | Btu/h | 21,000 | |
| | Minimum Capacity | Btu/h | 5,700 | |
| | Maximum Power Input | W | 3,430 | |
| | Rated Power Input | W | 1,730 | |
| | Power Factor | % | 98/98 | |
| Heating at 17°F ³ | Maximum Capacity | Btu/h | 23,000 | |
| | Rated Capacity | Btu/h | 12,800 | |
| | Maximum Power Input | W | 3,210 | |
| | Rated Power Input | W | 1,430 | |
| Heating at 5°F ⁴ | Maximum Capacity | Btu/h | 21,000 | |
| | Maximum Power Input | W | 3000 | |
| Heating at -4°F ⁵ | Maximum Capacity | Btu/h | 18,480 | |
| Heating at -13°F ⁶ | Maximum Capacity | Btu/h | 16,170 | |
| Efficiency | SEER | | 21 | |
| | EER ¹ | | 12.6 | |
| | HSPF (IV) | | 11.3 | |
| | COP at 47°F ² | | 3.56 | |
| | COP at 17°F in Maximum Capacity ³ | | 2.10 | |
| | COP at 5°F in Maximum Capacity ⁴ | | 2.05 | |
| | ENERGY STAR® (ENERGY STAR products are third-party certified by an EPA-recognized Certification Body.) | | YES | |
| Electrical | Voltage, Phase, Frequency | | 208/230V, 1 phase, 60Hz | |
| | Guaranteed Voltage Range | V AC | 187-253 | |
| | Voltage: Indoor - Outdoor, S1-S2 | V AC | 208/230 | |
| | Voltage: Indoor - Outdoor, S2-S3 | V DC | 24 | |
| | Voltage: Indoor - Remote controller | V DC | 12 | |
| | Recommended Fuse/Breaker Size | A | 20 | |
| | Recommended Wire Size (Indoor - Outdoor) | AWG | 14 | |
| Indoor Unit | MCA | A | 1 | |
| | MOCP | A | 20 | |
| | Blower Motor Full Load Amperage | A | 0.72 | |
| | Blower Motor Output | W | 40 | |

SPECIFICATIONS: MFZ-KJ18NA & MUFZ-KJ18NAHZ

| | | | | |
|---|--|-------------|--------------------------------|---------------|
| | Airflow Rate at Cooling, Dry | CFM | 491-420-328-254-198 | |
| | Airflow Rate at Cooling, Wet | CFM | 417-357-279-216-168 | |
| | Airflow Rate at Heating, Dry | CFM | 470-399-328-268-212 | |
| | Sound Pressure Level (Cooling) | dB(A) | 50-45-39-33-28 | |
| | Sound Pressure Level (Heating) | dB(A) | 49-45-40-35-29 | |
| | Drain Pipe Size | In. (mm) | 5/8 (15.88) | |
| | Heat Exchanger Type | | Plate fin coil | |
| | External Finish Color | | White | |
| | Unit Dimensions | W: In. (mm) | 29-17/32 (750) | |
| | | D: In. (mm) | 8-15/32 (215) | |
| | | H: In. (mm) | 23-5/8 (600) | |
| | Package Dimensions | W: In. (mm) | 32-2/16 (816) | |
| | | D: In. (mm) | 10-13/16 (275) | |
| | | H: In. (mm) | 27-12/16 (693) | |
| | Unit Weight | Lbs. (kg) | 33 (15) | |
| | Package Weight | Lbs. (kg) | 41 (18.5) | |
| Indoor Unit Operating Temperature Range | Cooling Intake Air Temp (Maximum / Minimum)* | °F | 90 DB / 73 WB // 67 DB / 57 WB | |
| | Heating Intake Air Temp (Maximum / Minimum) | °F | 80 DB // 70 DB | |
| Outdoor Unit | MCA | A | 16 | |
| | MOCP | A | 20 | |
| | Fan Motor Full Load Amperage | A | 0.93 | |
| | Fan Motor Output | W | 77 | |
| | Airflow Rate | CFM | 1,653 / 1,730 | |
| | Refrigerant Control | | LEV | |
| | Defrost Method | | Reverse cycle | |
| | Heat Exchanger Type | | Plate fin coil | |
| | Sound Pressure Level, Cooling ¹ | dB(A) | 55 | |
| | Sound Pressure Level, Heating ² | dB(A) | 51 | |
| | Compressor Type | | DC INVERTER-driven Twin Rotary | |
| | Compressor Model | | SNB173FQKMT | |
| | Compressor Rated Load Amps | A | 12.0 | |
| | Compressor Locked Rotor Amps | A | 15.0 | |
| | Compressor Oil Type // Charge | oz. | FV50S // 13.5 | |
| | External Finish Color | | Munsell 3Y 7.8/1/1 | |
| | Base Pan Heater | | Built-in | |
| | Unit Dimensions | W: In. (mm) | | 33-1/16 (840) |
| | | D: In. (mm) | | 13 (330) |
| | | H: In. (mm) | | 34-5/8 (880) |
| Package Dimensions | W: In. (mm) | | 38-9/16 (980) | |
| | D: In. (mm) | | 16-9/16 (420) | |
| | H: In. (mm) | | 39 (990) | |

SPECIFICATIONS: MFZ-KJ18NA & MUFZ-KJ18NAHZ

| | | | |
|--|--|-----------|------------|
| | Unit Weight | Lbs. (kg) | 124 (56) |
| | Package Weight | Lbs. (kg) | 144 (65) |
| Outdoor Unit Operating Temperature Range | Cooling Air Temp (Maximum / Minimum)* | °F | 14 to 115 |
| | Cooling Thermal Lock-out / Re-start Temperatures** | °F | 11 / 14 |
| | Heating Air Temp (Maximum / Minimum) | °F | -13 to 75 |
| | Heating Thermal Lock-out / Re-start Temperatures** | °F | -18 / -14 |
| Refrigerant | Type | | R410A |
| | Charge | Lbs, oz | 3, 5 |
| Piping | Gas Pipe Size O.D. (Flared) | In. (mm) | 1/2 (12.7) |
| | Liquid Pipe Size O.D. (Flared) | In. (mm) | 1/4 (6.35) |
| | Maximum Piping Length | Ft. (m) | 100 (30) |
| | Maximum Height Difference | Ft. (m) | 50 (15) |
| | Maximum Number of Bends | | 10 |

Notes

| | | | |
|---|---|----|--------------------------------|
| AHRI Rated Conditions (Rated data is determined at a fixed compressor speed) | ¹ Cooling (Indoor // Outdoor) | °F | 80 DB, 67 WB // 95 DB, 75 WB |
| | ² Heating at 47°F (Indoor // Outdoor) | °F | 70 DB, 60 WB // 47 DB, 43 WB |
| | ³ Heating at 17°F (Indoor // Outdoor) | °F | 70 DB, 60 WB // 17 DB, 15 WB |
| Conditions | ⁴ Heating at 5°F (Indoor // Outdoor) | °F | 70 DB, 60 WB // -4 DB, -5 WB |
| | ⁵ Heating at -4°F (Indoor // Outdoor) | °F | 70 DB, 60 WB // -4 DB, -5 WB |
| | ⁶ Heating at -13°F (Indoor // Outdoor) | °F | 70 DB, 60 WB // -13 DB, -14 WB |

*Applications should be restricted to comfort cooling only; equipment cooling applications are not recommended for low ambient temperature conditions.

**System cuts out in heating mode to avoid thermistor error and automatically restarts at these temperatures.

ACCESSORIES: MFZ-KJ18NA

| | |
|---|----------------------------|
| Anti-Allergy Enzyme Filter | □ MAC-408FT-E |
| Backlit, Wall-mounted, Wireless Controller | □ MHK1 |
| Portable Central Controller | □ MCCH1 |
| Wired MA Controller ¹ | □ PAR-33MAA |
| Simple MA Controller ¹ | □ PAC-YT53CRAU |
| Touch MA Controller ¹ | □ PAR-CT01MAU-SB |
| Lockdown Bracket for Wireless, Hand-held, Remote Controller | □ RCMKP1CB |
| Wireless Temperature and Humidity Sensor | □ PAC-USWHS003-TH-1 |
| Outside Air Sensor for MHK1 | □ MOS1 |
| System Control Interface | □ MAC-333IF-E ² |
| Wireless Interface | □ PAC-USWHS002-WF-1 |
| Thermostat Interface | □ PAC-US444CN-1 |
| kumo station [®] | □ PAC-WHS01HC-E |
| USNAP Interface | □ PAC-WHS01UP-E |
| IT Extender | □ PAC-WHS01IE-E |
| BACnet [®] and Modbus Interface | □ PAC-UKPRC001-CN-1 |
| External Fan / Heater Control Relay Adapter | □ CN24RELAY-KIT-CM3 |
| Blue Diamond Sensor Extension Cable—15 Ft. | □ C13-103 |
| Blue Diamond Alarm Extension Cable—6.5 Ft. | □ C13-192 |
| Blue Diamond MultiTank—collection tank for use with multiple pumps | □ C21-014 |
| Blue Diamond Rubber Foot Pads | □ F10-010 |
| Mini Condensate Pump—230V application | □ SI30-230 |
| MegaBlue Advanced Blue Diamond Condensate Pump w/ Reservoir & Sensor | □ X87-835 - 110 to 250V |
| MaxiBlue Advanced Blue Diamond Mini Condensate Pump w/ Reservoir & Sensor (110V) up to 48,000 Btu/h [recommended] | □ X87-711 - 110V |
| MaxiBlue Advanced Blue Diamond Mini Condensate Pump w/ Reservoir & Sensor (208/230V) up to 48,000 Btu/h [recommended] | □ X87-721 - 208/230V |
| MicroBlue Blue Diamond Mini Condensate Pump (110/208/230V) up to 18,000 Btu/h | □ X85-003 |
| Fascia Kit for MicroBlue Pump – mounts the MicroBlue and sensor directly beneath the indoor unit | □ T18-016 |
| Drain Pan Level Sensor (Control for indoor unit shut off to prevent drain pan overflow) | □ DPLS2 |
| 3 Pole Disconnect Switch (30A/600VUL) [fits 2"X4" utility] - Black | □ TAZ-MS303 |
| 3 Pole Disconnect Switch (30A/600VUL) [fits 2"X4" utility] - White | □ TAZ-MS303W |
| 1/4" x 1/2" x 15' / 1/2" Lineset (Twin-Tube Insulation) | □ MLS141212T-15 |
| 1/4" x 1/2" x 30' / 1/2" Lineset (Twin-Tube Insulation) | □ MLS141212T-30 |
| 1/4" x 1/2" x 50' / 1/2" Lineset (Twin-Tube Insulation) | □ MLS141212T-50 |
| 1/4" x 1/2" x 65' / 1/2" Lineset (Twin-Tube Insulation) | □ MLS141212T-65 |
| 1/4" x 1/2" x 100' / 1/2" Lineset (Twin-Tube Insulation) | □ MLS141212T-100 |

¹ Requires MAC-333IF-E

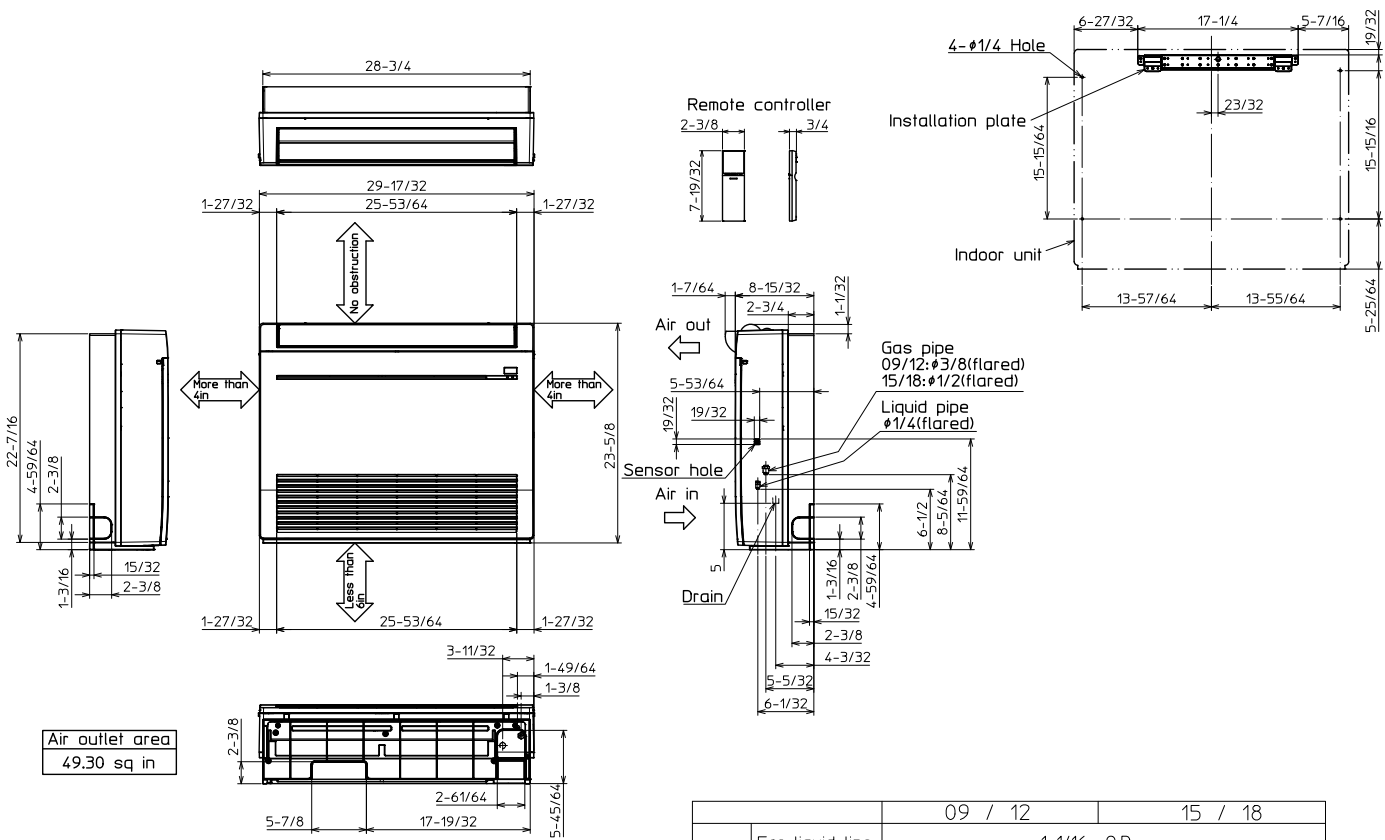
² Allows M-Series indoor units to connect to an MA controller

ACCESSORIES: MUFZ-KJ18NAHZ

| | |
|---|---------------|
| Hail Guard | □ HG-A7 |
| Outdoor Unit 3-1/4 inch Mounting Base (Pair) - Plastic | □ DSD-400P |
| Condensing Unit Mounting Pad 16" x 36" x 3" | □ ULTRILITE1 |
| Outdoor Unit Stand—12" High | □ QSMS1201M |
| Outdoor Unit Stand—18" High | □ QSMS1801M |
| Outdoor Unit Stand—24" High | □ QSMS2401M |
| Heavy Duty Wall Mounting Bracket for Outdoor Units—Coated Steel | □ QSWB2000M-1 |
| Heavy Duty Wall Mounting Bracket for Outdoor Units—316 Series Stainless Steel | □ QSWBSS |

DIMENSIONS: MFZ-KJ18NA

Unit: inch



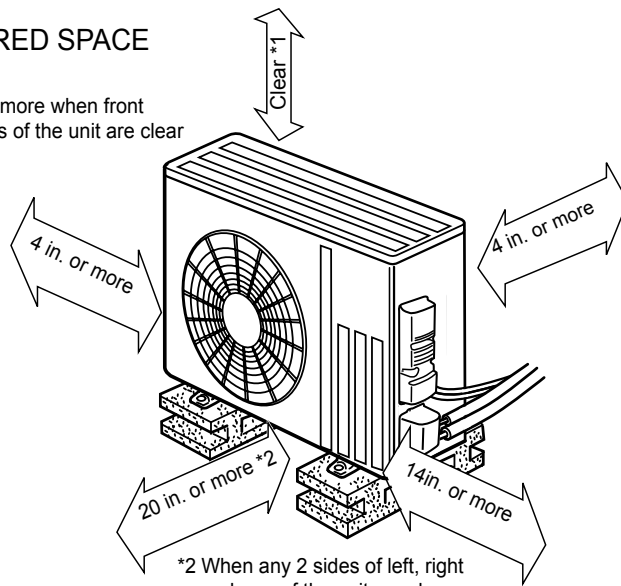
| | | 09 / 12 | 15 / 18 |
|------------|---------------------------|--------------------------|---|
| Pipe cover | For liquid line | 1-1/16 O.D | |
| | For gas line | 1-1/16 O.D | 1-7/32 O.D |
| Piping | Liquid line | Flared connection 1/4 | |
| | Gas line | Flared connection 3/8 | Flared connection 1/2 |
| Drain hose | Heat insulator 1-9/64 O.D | Connection point 5/8 O.D | Effective length 13-25/32 (case of right backward piping) |

DIMENSIONS: MUFZ-KJ18NAHZ

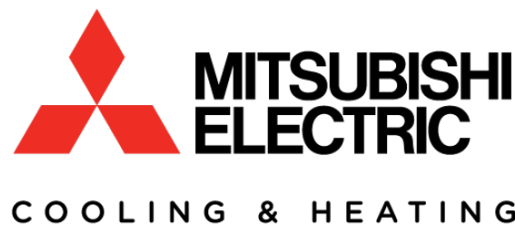
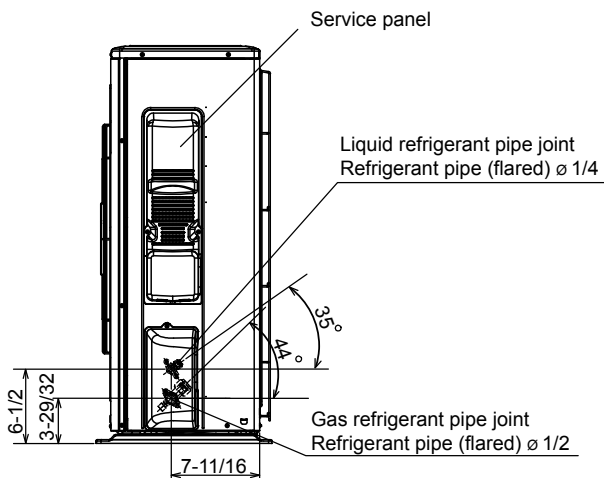
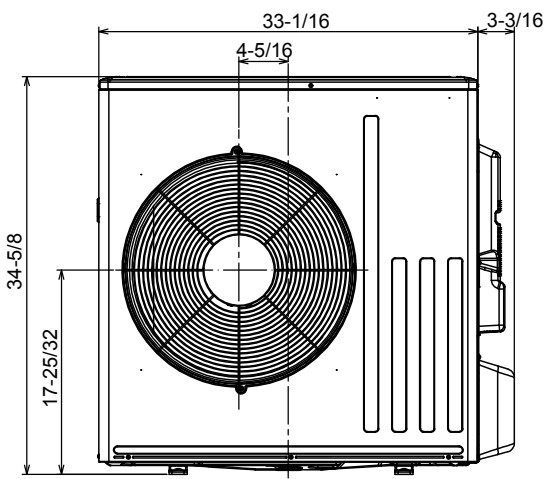
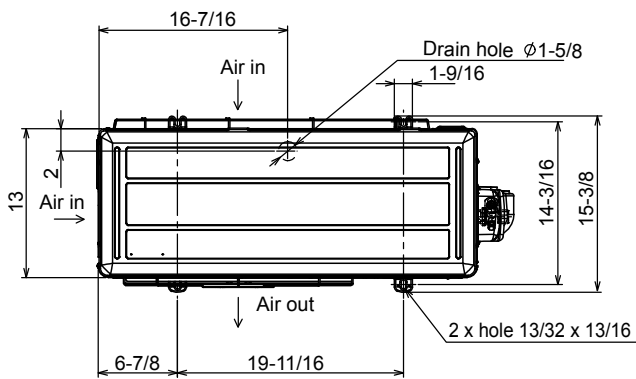
Unit: inch

REQUIRED SPACE

*1 20 in. or more when front and sides of the unit are clear



*2 When any 2 sides of left, right and rear of the unit are clear



1340 Satellite Boulevard, Suwanee, GA 30024
Toll Free: 800-433-4822 www.mehvac.com

FORM# MFZ-KJ18NA / MUFZ-KJ18NAHZ - 201808



Specifications are subject to change without notice.

© 2018 Mitsubishi Electric Trane HVAC US LLC. All rights reserved.