

**mitsubishi
electric**

SPLIT-TYPE AIR CONDITIONERS

OUTDOOR UNIT PARTS CATALOG



No. OBB875

Models

MUZ-GS30NA - U1

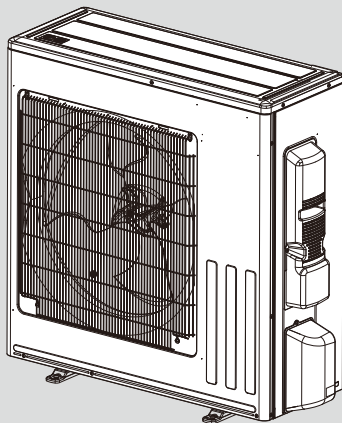
MUZ-GS36NA - U1

MUY-GS30NA - U1

MUY-GS36NA - U1

MUZ-GS30NAH - U1

MUZ-GS36NAH - U1



CONTENTS

1. SERVICE PARTS LIST 2
2. OPTIONAL PARTS 6

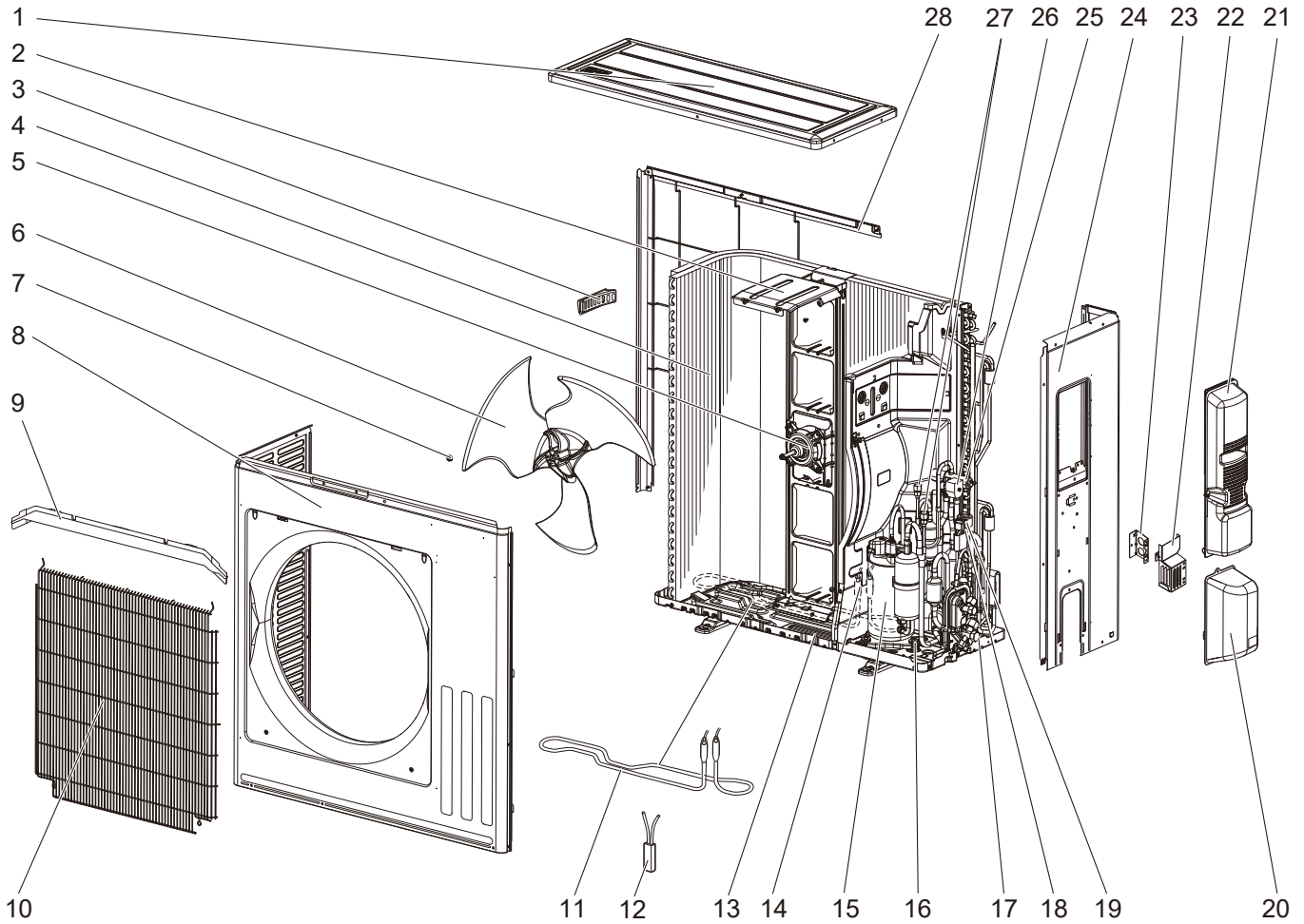
SERVICE MANUAL (OBH875)

1

SERVICE PARTS LIST

MUZ-GS30NA MUZ-GS30NAH MUZ-GS36NA MUZ-GS36NAH
MUY-GS30NA MUY-GS36NA

1-1. OUTDOOR UNIT STRUCTURAL PARTS

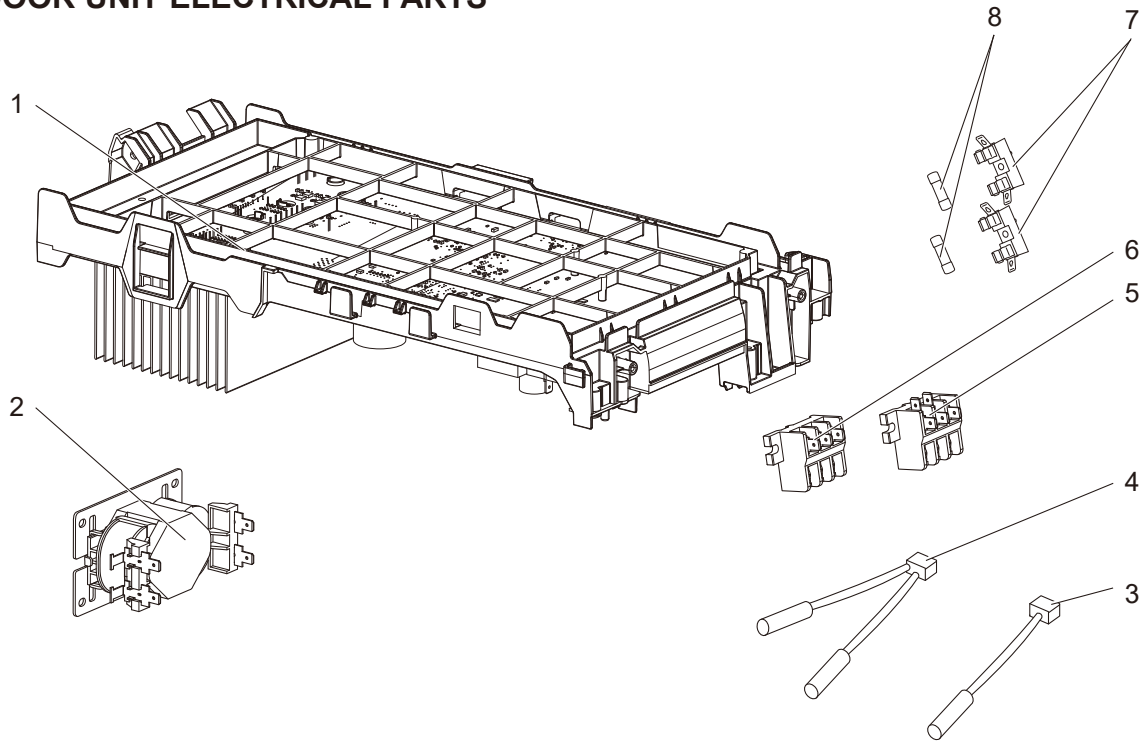


1-1. OUTDOOR UNIT STRUCTURAL PARTS

1. The part quantity below indicates the required number of pieces per unit.

No.	Part No.	Part Name	MUZ-GS30NA-	MUZ-GS30NAH-	MUZ-GS36NA-	MUZ-GS36NAH-	MUY-GS30NA-	MUY-GS36NA-	Symbol in Wiring Diagram	Remarks
			U1	U1	U1	U1	U1	U1		
1	E22 L87 297	TOP PANEL	1	1	1	1	1	1		
2	E22 59N 515	MOTOR SUPPORT	1	1	1	1	1	1		
3	E22 817 009	HANDLE	1	1	1	1	1	1		
4	E22 59N 630	OUTDOOR HEAT EXCHANGER	1	1	1	1				Includes capillary tubes O.D. 0.157 × I.D. 0.094 × 3-15/16 (ø4.0 × ø2.4 × 100) (2PCS)
4	E22 47N 630	OUTDOOR HEAT EXCHANGER					1	1		
5	E22 91F 301	OUTDOOR FAN MOTOR	1	1	1	1	1	1	MF	RC0J50-□□
6	E22 91F 501	PROPELLER FAN	1	1	1	1	1	1		
7	E27 L05 508	PROPELLER FAN NUT	1	1	1	1	1	1		
8	E22 91F 232	CABINET	1	1	1	1	1	1		
9	E22 33N 531	ICE GUARD	1	1	1	1				
10	E22 91F 521	GRILLE	1	1	1	1	1	1		
11	E22 39F 526	DEFROST HEATER		1		1			H	Includes 26H
12	E22 J52 381	HEATER PROTECTOR		1		1			26H	
13	E22 91F 290	BASE	1		1		1	1		
13	E22 57N 290	BASE		1		1				
14	E22 33N 293	SEPARATOR	1		1		1	1		
14	E22 57N 293	SEPARATOR		1		1				
15	E22 59N 900	COMPRESSOR	1	1	1	1	1	1	MC	SNB220FQAM1T
16	E22 C34 506	COMPRESSOR RUBBER SET	3	3	3	3	3	3		3 RUBBERS/SET
17	E22 59N 663	STOP VALVE ASSEMBLY	1	1	1	1	1	1		Includes STOP VALVES (LIQ ø1/4 (ø6.35), GAS ø5/8 (ø15.88))
18	E22 59N 645	EXPANSION VALVE ASSEMBLY	1	1	1	1	1	1		Includes LEV body, capillary tube O.D. 0.157 × I.D. 0.094 × 3-15/16 (ø4.0 × ø2.4 × 100), muffler
19	E22 55J 493	EXPANSION VALVE COIL	1	1	1	1	1	1	LEV	
20	E22 F28 650	VALVE COVER	1	1	1	1	1	1		
21	E22 91F 245	SERVICE PANEL	1	1	1	1	1	1		
22	E22 43F 979	CONDUIT COVER	1	1	1	1	1	1		
23	E22 29F 978	CONDUIT PLATE	1	1	1	1	1	1		
24	E22 33N 233	BACK PANEL	1	1	1	1	1	1		
25	E22 J61 961	4-WAY VALVE	1	1	1	1	1	1		
26	E22 33N 490	R.V. COIL	1	1	1	1			21S4	
27	E22 E79 641	SERVICE PORT	2	2	2	2	2	2		
28	E22 L87 523	CONDENSER NET	1	1	1	1	1	1		

**MUZ-GS30NA MUZ-GS30NAH MUZ-GS36NA MUZ-GS36NAH
MUY-GS30NA MUY-GS36NA
1-2. OUTDOOR UNIT ELECTRICAL PARTS**



1-2. OUTDOOR UNIT ELECTRICAL PARTS

1. The part quantity below indicates the required number of pieces per unit.

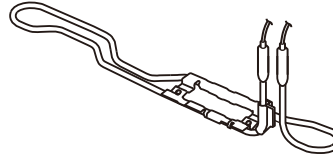
No.	Part No.	Part Name	MUZ-GS30NA - [U1]	MUZ-GS30NAH - [U1]	MUZ-GS36NA - [U1]	MUZ-GS36NAH - [U1]	MUY-GS30NA - [U1]	MUY-GS36NA - [U1]	Symbol in Wiring Diagram	Remarks
1	E22 45N 451	INVERTER P.C. BOARD	1	1						Includes heat sink and RT64
1	E22 46N 451	INVERTER P.C. BOARD			1	1				Includes heat sink and RT64
1	E22 47N 451	INVERTER P.C. BOARD					1			Includes heat sink and RT64
1	E22 48N 451	INVERTER P.C. BOARD						1		Includes heat sink and RT64
2	E22 R84 337	REACTOR	1	1	1	1	1	1	L	
3	E22 29F 309	AMBIENT THERMISTOR ASSEMBLY	1	1	1	1	1	1	RT65	
4	E22 F28 308	THERMISTOR SET	1	1	1	1			RT61, RT62, RT68	DEFROST THERMISTOR (RT61) DISCHARGE TEMPERATURE (RT62) OUTDOOR HEAT EXCHANGER TEMPERATURE (RT68)
4	E22 F33 308	THERMISTOR SET					1	1	RT62, RT68	DISCHARGE TEMPERATURE (RT62) OUTDOOR HEAT EXCHANGER TEMPERATURE (RT68)
5	E22 L87 374	TERMINAL BLOCK	1	1	1	1	1	1	TB1	3 P
6	E22 T16 374	TERMINAL BLOCK	1	1	1	1	1	1	TB2	3 P
7	E27 001 241	FUSE HOLDER	2	2	2	2	2	2		
8	E27 250 382	FUSE	2	2	2	2	2	2	F65, F66	T6.3AL 250 V AC

2

OPTIONAL PARTS

2-1. DEFROST HEATER

Model	Parts No.
MUZ-GS30NA MUZ-GS36NA	MAC-642BH-U



Components

①	Defrost heater	1	④	Cable clamp	1
②	Heater support	1	⑤	Self drilling screw	2
③	Cable tie	1	⑥	Wiring diagram	1

Note: Refer to the installation manual for the installation.

MITSUBISHI ELECTRIC CORPORATION

HEAD OFFICE: TOKYO BUILDING, 2-7-3, MARUNOUCHI, CHIYODA-KU, TOKYO 100-8310, JAPAN

© Copyright 2021 MITSUBISHI ELECTRIC CORPORATION
Published: Jan. 2021. No. OBH875
Made in Japan

Specifications are subject to change without notice.