

## OUTDOOR UNIT

**Revision B:**

- The part number of the ice guard for MXZ-5C42NA has been corrected.

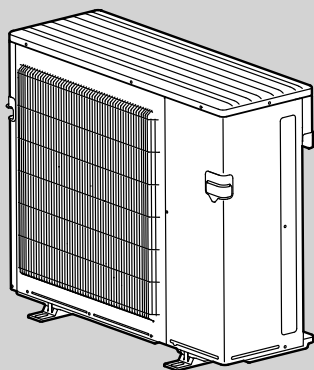
Please void OBB702 REVISED EDITION-A.

**No. OBB702  
REVISED EDITION-B**

# PARTS CATALOG

## Models

**MXZ-3C24NA**  
**MXZ-3C30NA**  
**MXZ-4C36NA**  
**MXZ-5C42NA**  
**MXZ-2C20NAHZ**  
**MXZ-3C24NAHZ**  
**MXZ-3C30NAHZ**



**MXZ-3C24NA**  
**MXZ-3C30NA**  
**MXZ-4C36NA**

## CONTENTS

1. RoHS PARTS LIST..... 2
2. OPTIONAL PARTS..... 18

**SERVICE MANUAL (OBH702)**

**NOTE:**

- RoHS compliant products have <G> mark on the spec name plate.

**Revision A:**

• MXZ-3C24NA, MXZ-3C30NA and MXZ-4C36NA have been added.

**Revision B:**

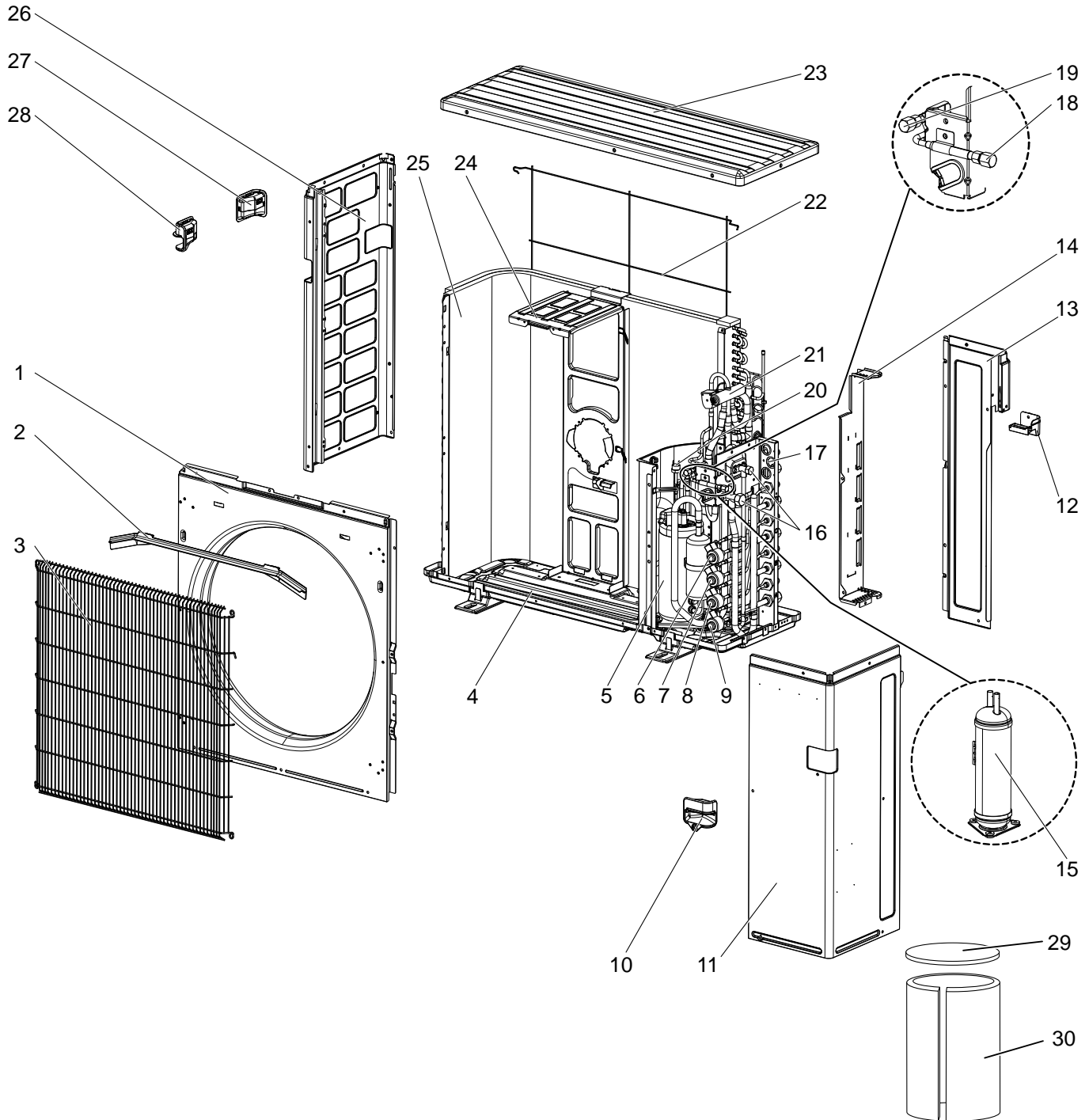
• The part number of the ice guard for MXZ-5C42NA has been corrected.

1

**RoHS PARTS LIST**

**MXZ-3C24NA MXZ-3C30NA MXZ-4C36NA**

**1-1. OUTDOOR UNIT STRUCTURAL PARTS AND FUNCTIONAL PARTS**



# RoHS PARTS LIST (RoHS compliant)

**MXZ-3C24NA MXZ-3C30NA MXZ-4C36NA**

## 1-1. OUTDOOR UNIT STRUCTURAL PARTS AND FUNCTIONAL PARTS

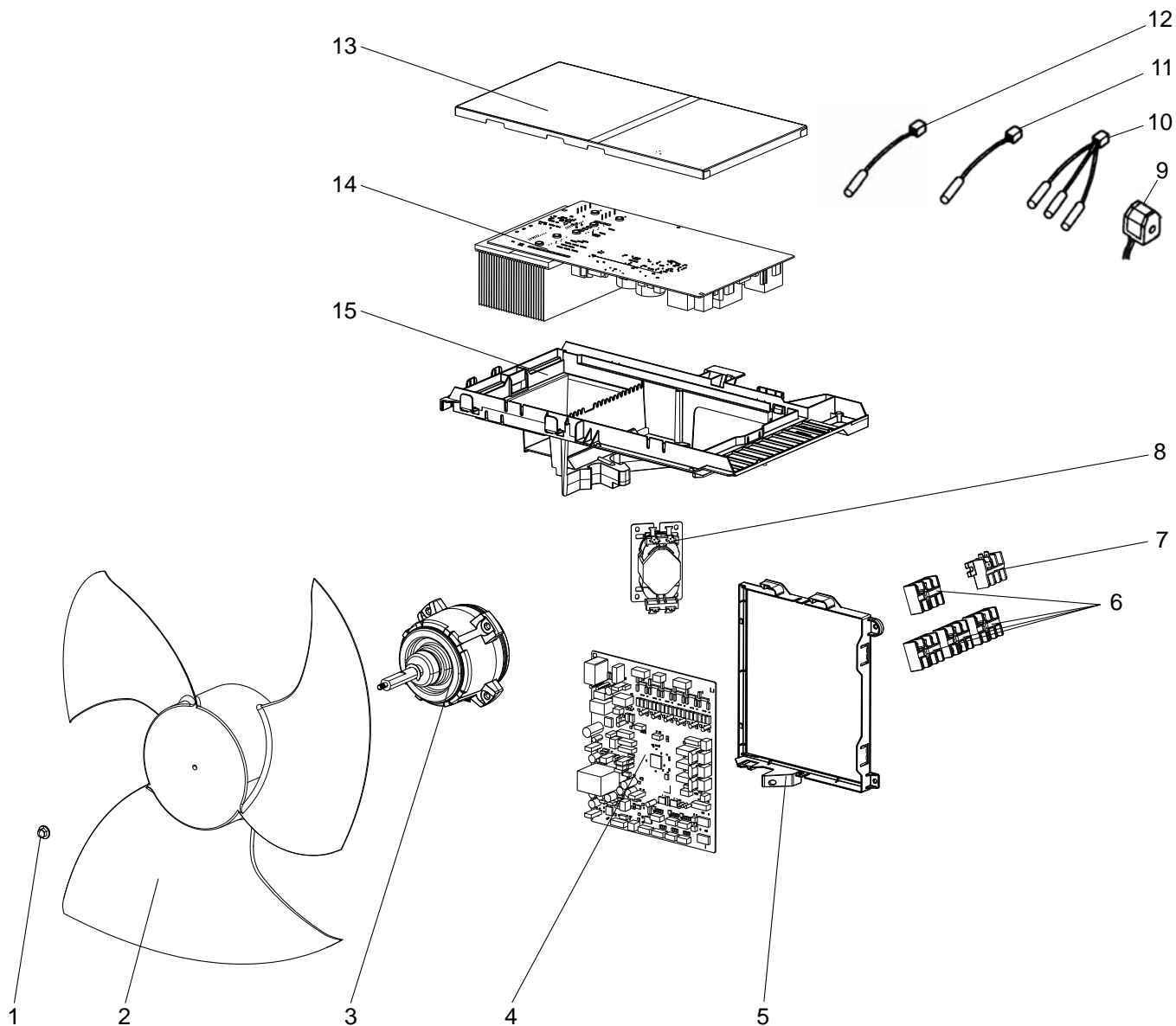
Part number that is circled is not shown in the illustration.

No.	RoHS	Parts No.	Parts Name	Symbol in Wiring Diagram	Q'ty/unit			Remarks
					MXZ-			
					3C24NA	3C30NA	4C36NA	
1	G	T7W E21 668	FRONT PANEL		1	1	1	
2	G	R01 E02 631	ICE GUARD		1	1	1	
3	G	R01 E73 691	WIRE GRILLE		1	1	1	
4	G	T7W E24 686	BASE ASSEMBLY		1	1	1	
5	G	T97 419 607	COMPRESSOR	MC	1	1	1	SNB220FQGMC Including rubber mounts
6	G	T7W E59 401	EXPANSION VALVE ASSY				1	D room, Including union and capillary tube
	G	T7W E81 242	LEV COIL	LEV D			1	D room, Connector: YELLOW
7	G	T7W E58 401	EXPANSION VALVE ASSY		1	1	1	C room, Including union and capillary tube
	G	T7W E80 242	LEV COIL	LEV C	1	1	1	C room Connector: BLUE
8	G	T7W E57 401	EXPANSION VALVE ASSY		1	1	1	B room, Including union and capillary tube
	G	T7W E79 242	LEV COIL	LEV B	1	1	1	B room, Connector: RED
9	G	T7W E56 401	EXPANSION VALVE ASSY		1	1	1	A room, Including union and capillary tube
	G	T7W E78 242	LEV COIL	LEV A	1	1	1	A room, Connector: WHITE
10	G	T7W A02 655	HANDLE (R FRONT)		1	1	1	
11	G	T7W E22 667	SERVICE PANEL		1	1	1	
12	G	T7W A03 655	HANDLE (R REAR)		1	1	1	
13	G	T7W E10 682	REAR PANEL		1	1	1	
14	G	T7W E38 661	BACK PILLAR		1	1	1	
15	G	T7W E26 440	ACCUMULATOR		1	1	1	
16	G	T7W E06 410	STOP VALVE ASSY		1	1	1	Including both valves
17	G	T7W E07 617	CONDUIT PLATE SET		1	1	1	
18	G	R01 E13 413	SERVICE PORT		1	1	1	
19	G	R01 E12 413	SERVICE PORT		1	1	1	
20	G	T7W E11 208	HIGH PRESSURE SWITCH	HPS	1	1	1	4.8 MPa (48.9 kg/cm <sup>2</sup> )
21	G	T7W E06 403	4-WAY VALVE		1	1	1	
22	G	T7W E06 698	REAR GUARD		1	1	1	
23	G	T7W E12 641	TOP PANEL		1	1	1	
24	G	T7W E17 130	MOTOR SUPPORT		1	1	1	
25	G	T7W E75 408	OUTDOOR HEAT EXCHANGER		1	1	1	Including capillary tubes and distributor
26	G	T7W E10 662	SIDE PANEL (L)		1	1	1	
27	G	T7W A01 655	HANDLE (REAR)		1	1	1	
28	G	T7W A00 655	HANDLE (FRONT)		1	1	1	
29	G	T7W A01 602	COMPRESSOR FELT (TOP)		1	1	1	
30	G	T7W A00 602	COMPRESSOR FELT (BODY)		1	1	1	
(31)	G	T7W A00 508	DAMPER SET		1	1	1	2 PCS SET 95 x 250 T2 (mm)

# RoHS PARTS LIST (RoHS compliant)

MXZ-3C24NA MXZ-3C30NA MXZ-4C36NA

## 1-2. OUTDOOR UNIT FUNCTIONAL PARTS AND ELECTRICAL PARTS



# RoHS PARTS LIST (RoHS compliant)

**MXZ-3C24NA MXZ-3C30NA MXZ-4C36NA**

## 1-2. OUTDOOR UNIT FUNCTIONAL PARTS AND ELECTRICAL PARTS

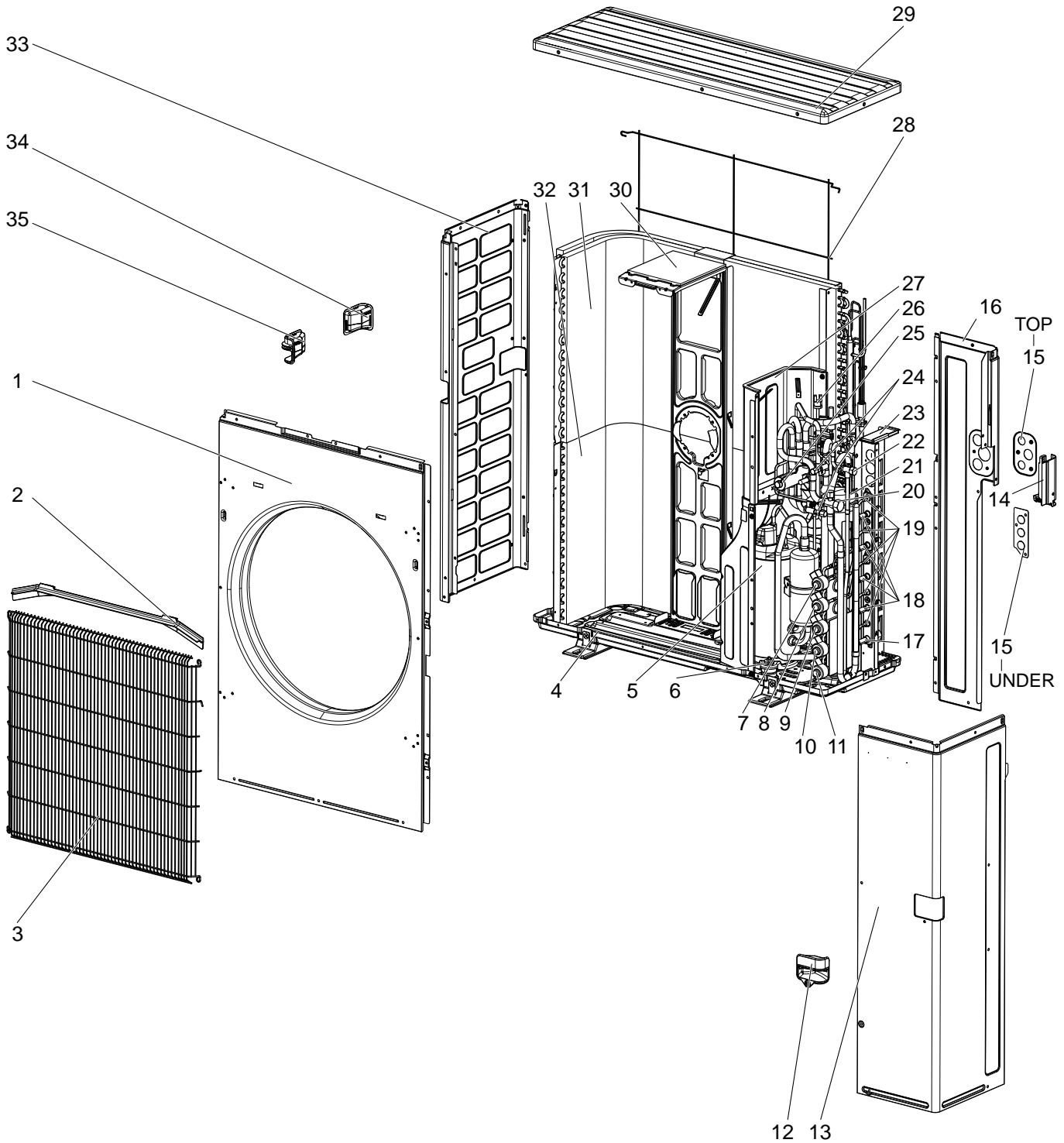
Part numbers that are circled are not shown in the illustration.

No.	RoHS	Parts No.	Parts Name	Symbol in Wiring Diagram	Q'ty/unit			Remarks
					MXZ-			
					3C24NA	3C30NA	4C36NA	
1	G	R01 E09 097	PROPELLER FAN NUT		1	1	1	
2	G	T7W A00 115	PROPELLER FAN		1	1	1	
3	G	T7W A01 221	OUTDOOR FAN MOTOR	MF	1	1	1	
4	G	T7W GB0 315	OUTDOOR CONTROL P.C. BOARD		1			
	G	T7W GC0 315	OUTDOOR CONTROL P.C. BOARD			1		
	G	T7W GD0 315	OUTDOOR CONTROL P.C. BOARD				1	
5	G	T7W A01 327	CB HOLDER		1	1	1	
6	G	T7W E13 716	TERMINAL BLOCK	TB2,3,4,(5)	3	3	4	Indoor unit connecting 3P (S1,S2,S3)
7	G	T7W E63 716	TERMINAL BLOCK	TB1	1	1	1	Power supply 3P (L1,L2,GR)
8	G	T7W E25 259	REACTOR	L	1	1	1	
9	G	T7W E83 242	R.V. COIL	21S4	1	1	1	
10	G	T7W E71 202	THERMISTOR	RT61,62,68	1	1	1	DEFROST, DISCHARGE, OUTDOOR HEAT EXCHANGER
11	G	T7W E72 202	THERMISTOR	RT65	1	1	1	AMBIENT
12	G	R01 E99 202	THERMISTOR	RT64	1	1	1	FIN TEMPERATURE
13	G	T7W A00 325	PB COVER		1	1	1	
14	G	T7W AE0 323	OUTDOOR POWER P.C. BOARD		1	1	1	
15	G	T7W A00 327	PB HOLDER		1	1	1	
⑬	G	T7W A00 510	COMPRESSOR LEAD ASSY SET		1	1	1	

# RoHS PARTS LIST (RoHS compliant)

MXZ-5C42NA

## 1-3. OUTDOOR UNIT STRUCTURAL PARTS AND FUNCTIONAL PARTS



# RoHS PARTS LIST (RoHS compliant)

## MXZ-5C42NA

### 1-3. OUTDOOR UNIT STRUCTURAL PARTS AND FUNCTIONAL PARTS

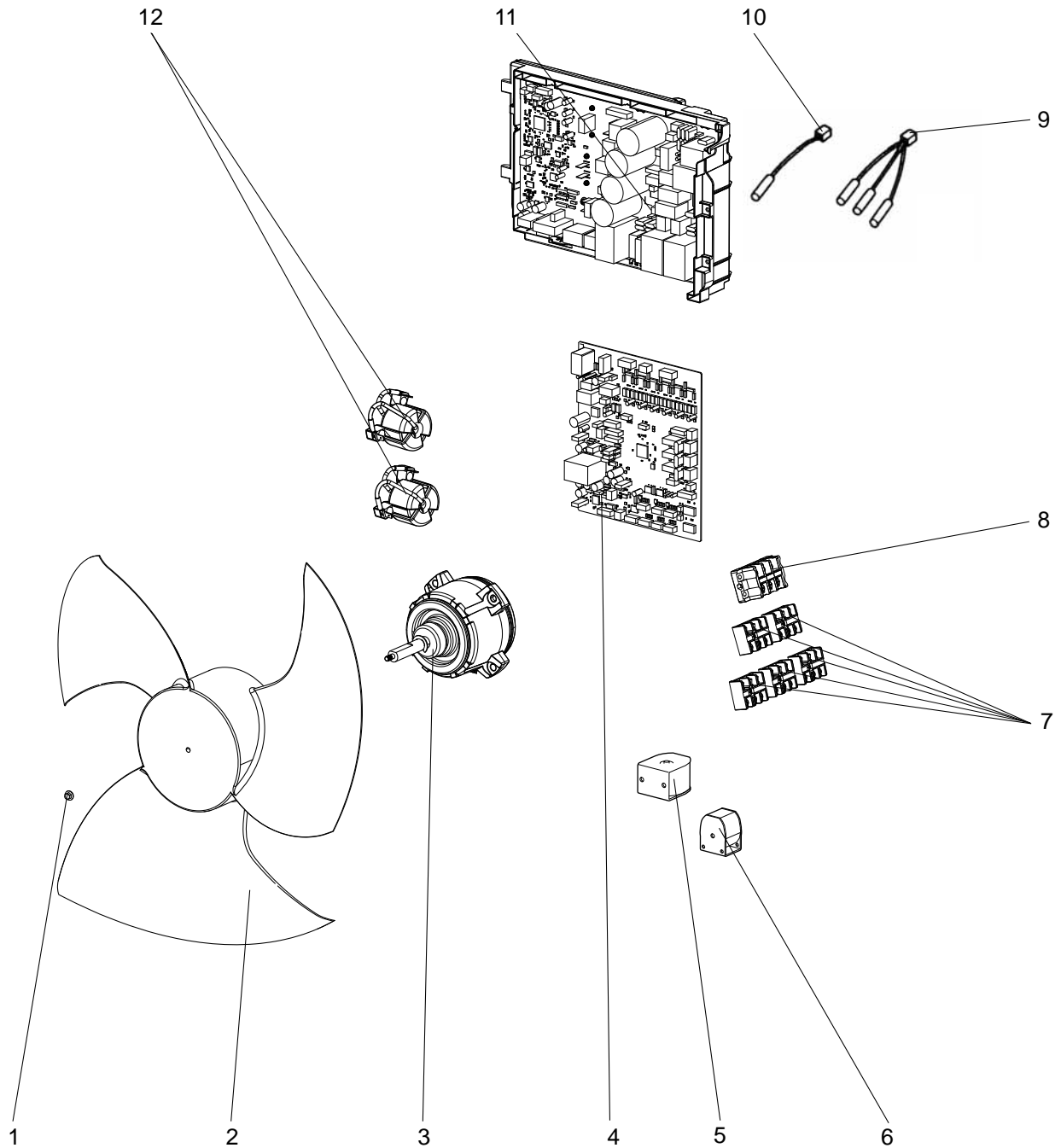
Part numbers that are circled are not shown in the illustration.

No.	RoHS	Parts No.	Parts Name	Symbol In Wiring Diagram	Q'ty/unit	Remarks
					MXZ-5C42NA	
1	G	E12 N99 232	FRONT PANEL		1	
2	G	E17 A15 531	ICE GUARD		1	
3	G	E17 942 521	GRILLE		1	
4	G	E12 N99 290	BASE ASSEMBLY		1	
5	G	E12 N99 900	COMPRESSOR	MC	1	MNB33FBTMC-L
6	G	E12 267 506	COMPRESSOR RUBBER SET		3	3 RUBBERS SET
7	G	E12 N99 640	EXPANSION VALVE		1	E room
	G	E12 P64 493	LEV COIL	LEV E	1	E room
8	G	E12 N99 640	EXPANSION VALVE		1	D room
	G	E12 P63 493	LEV COIL	LEV D	1	D room
9	G	E12 N99 640	EXPANSION VALVE		1	C room
	G	E12 P02 493	LEV COIL	LEV C	1	C room
10	G	E12 N99 640	EXPANSION VALVE		1	B room
	G	E12 P01 493	LEV COIL	LEV B	1	B room
11	G	E12 N99 640	EXPANSION VALVE		1	A room
	G	E12 N99 493	LEV COIL	LEV A	1	A room
12	G	E12 P01 009	HANDLE		1	
13	G	E12 N99 245	SERVICE PANEL		1	Without LABEL
14	G	E12 N99 009	HANDLE (BACK)		1	
	G	E12 N99 978	CONDUIT PLATE (TOP)		1	
15	G	E12 P01 978	CONDUIT PLATE (UNDER)		1	
	G	E12 N99 233	BACK PANEL		1	
17	G	E12 D37 666	UNION (GAS) (Ø12.7)		1	Ø1/2, A room
18	G	E12 D36 666	UNION (GAS) (Ø9.52)		4	Ø3/8, B, C, D, E room
19	G	E12 D36 667	UNION (LIQUID) (Ø6.35)		5	Ø1/4, A, B, C, D, E room
20	G	E12 N99 661	STOP VALVE (GAS) (Ø15.88)		1	Ø5/8
21	G	E12 N99 932	ACCUMULATOR		1	
22	G	E12 N99 662	STOP VALVE (LIQUID) (Ø9.52)		1	Ø3/8
23	G	E12 P64 814	BACK PILLAR		1	
24	G	E12 N99 641	SERVICE PORT		2	
25	G	E12 N99 961	4-WAY VALVE		1	
26	G	E12 853 646	HIGH PRESSURE SWITCH	HPS	1	4.8 MPa (48.9 kg/cm <sup>2</sup> )
27	G	E12 N99 293	SEPARATOR		1	
28	G	E12 N99 523	REAR GUARD		1	
29	G	E12 N99 297	TOP PANEL		1	
30	G	E12 P64 515	MOTOR SUPPORT		1	
31	G	E12 N99 630	OUTDOOR HEAT EXCHANGER (TOP)		1	Including capillary tubes
32	G	E12 P01 630	OUTDOOR HEAT EXCHANGER (UNDER)		1	Including capillary tubes
33	G	E12 N99 086	SIDE PANEL-L		1	
34	G	E17 943 009	HANDLE (REAR)		1	
35	G	E17 942 009	HANDLE (FRONT)		1	
③⑥	G	E12 N99 492	2-WAY SOLENOID VALVE		1	
③⑦	G	E12 939 936	CAPILLARY TUBE (Ø4.0 x Ø2.8 x 100)		5	O.D. 0.16 x I.D. x 0.11 x 3.94
③⑧	G	E12 820 936	CAPILLARY TUBE (Ø2.5 x Ø0.6 x 1000)		1	O.D. 0.10 x I.D. x 0.02 x 39.37

# RoHS PARTS LIST (RoHS compliant)

MXZ-5C42NA

## 1-4. OUTDOOR UNIT FUNCTIONAL PARTS AND ELECTRICAL PARTS





# RoHS PARTS LIST (RoHS compliant)

## MXZ-5C42NA

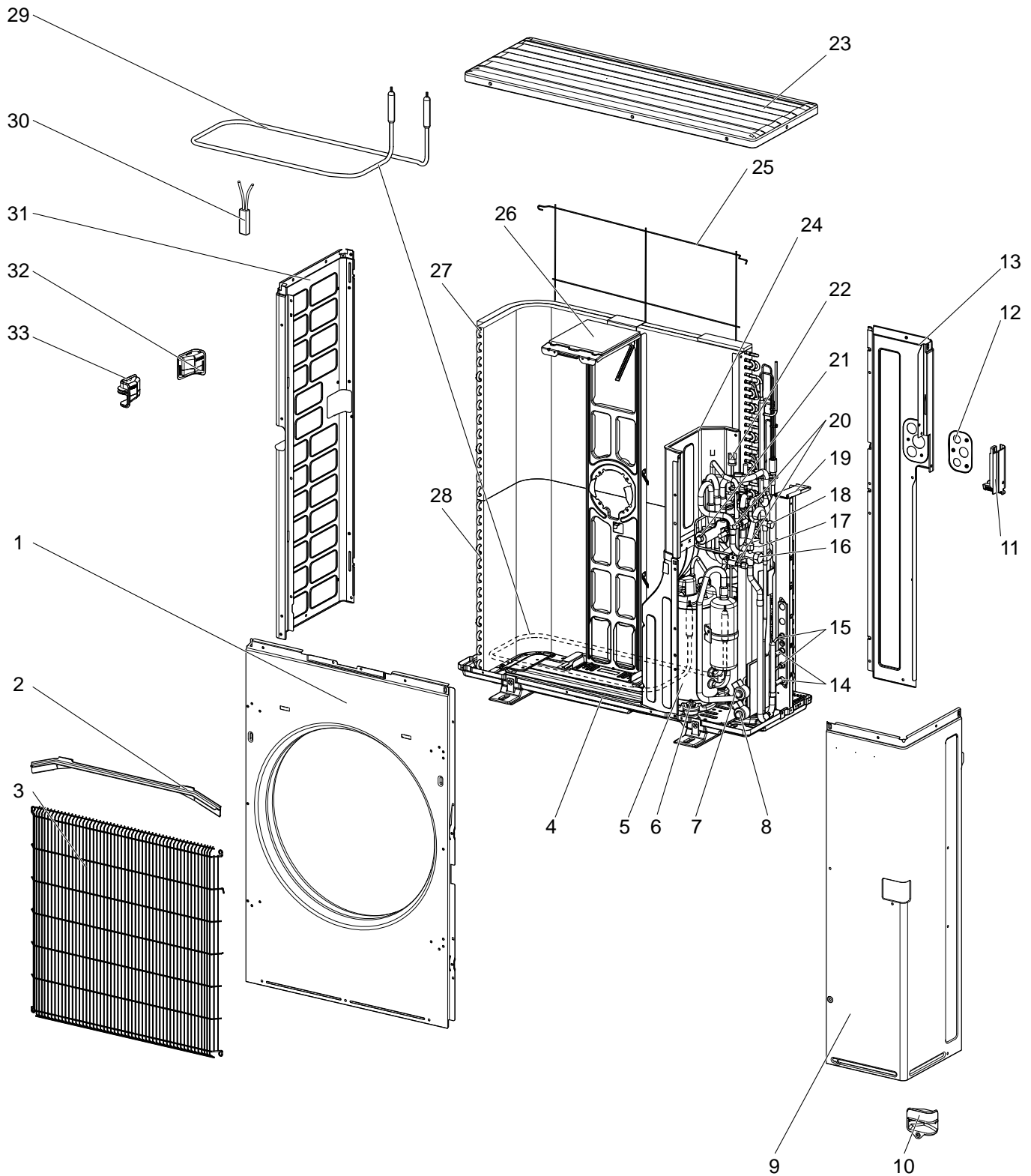
### 1-4. OUTDOOR UNIT FUNCTIONAL PARTS AND ELECTRICAL PARTS

No.	RoHS	Parts No.	Parts Name	Symbol In Wiring Diagram	Q'ty/unit		Remarks
						MXZ-5C42NA	
1	G	E17 A15 508	PROPELLER FAN NUT			1	
2	G	E12 N99 501	PROPELLER FAN			1	
3	G	E12 N99 301	OUTDOOR FAN MOTOR	MF		1	SIC-81FW-D888-□
4	G	E12 P64 450	OUTDOOR CONTROL P.C. BOARD			1	
5	G	E12 P01 490	2-WAY VALVE SOLENOID COIL	21S2		1	
6	G	E12 N99 490	R.V. COIL	21S4		1	
7	G	E12 C92 375	TERMINAL BLOCK	TB2,3,4,5,6		5	Indoor unit connecting
8	G	E12 N99 374	TERMINAL BLOCK	TB1		1	Power supply
9	G	E12 N99 308	THERMISTOR SET	RT61,62,68		1	DEFROST, DISCHARGE, OUTDOOR HEAT EXCHANGER
10	G	E12 N99 309	AMBIENT TEMPERATURE THERMISTOR	RT65		1	
11	G	E12 N99 440	OUTDOOR POWER P.C. BOARD			1	Including heat sink and RT64
12	G	E12 N99 337	REACTOR	L1,L2		2	30A 750μH

# RoHS PARTS LIST (RoHS compliant)

**MXZ-2C20NAHZ**

## **1-5. OUTDOOR UNIT STRUCTURAL PARTS AND FUNCTIONAL PARTS**



# RoHS PARTS LIST (RoHS compliant)

## MXZ-2C20NAHZ

### 1-5. OUTDOOR UNIT STRUCTURAL PARTS AND FUNCTIONAL PARTS

Part numbers that are circled are not shown in the illustration.

No.	RoHS	Parts No.	Parts Name	Symbol In Wiring Diagram	Q'ty/unit	Remarks
					MXZ-2C20NAHZ	
1	G	E12 N99 232	FRONT PANEL		1	
2	G	E17 A15 531	ICE GUARD		1	
3	G	E17 942 521	GRILLE		1	
4	G	E12 N99 290	BASE ASSEMBLY		1	
5	G	E12 N99 900	COMPRESSOR	MC	1	MNB33FBTMC-L
6	G	E12 267 506	COMPRESSOR RUBBER SET		3	3 RUBBERS SET
7	G	E12 N99 640	EXPANSION VALVE		1	B room
	G	E12 P01 493	LEV COIL	LEV B	1	B room
8	G	E12 N99 640	EXPANSION VALVE		1	A room
	G	E12 N99 493	LEV COIL	LEV A	1	A room
9	G	E12 N99 245	SERVICE PANEL		1	
10	G	E12 P01 009	HANDLE		1	
11	G	E12 N99 009	HANDLE (BACK)		1	
12	G	E12 N99 978	CONDUIT PLATE		1	
13	G	E12 N99 233	BACK PANEL		1	
14	G	E12 D36 666	UNION (GAS) (Ø9.52)		2	Ø3/8, A, B room
15	G	E12 D36 667	UNION (LIQUID) (Ø6.35)		2	Ø1/4, A, B room
16	G	E12 N99 661	STOP VALVE (GAS) (Ø15.88)		1	Ø5/8
17	G	E12 N99 932	ACCUMULATOR		1	
18	G	E12 N99 662	STOP VALVE (LIQUID) (Ø9.52)		1	Ø3/8
19	G	E12 N99 814	BACK PILLAR		1	
20	G	E12 N99 641	SERVICE PORT		2	
21	G	E12 N99 961	4-WAY VALVE		1	
22	G	E12 853 646	HIGH PRESSURE SWITCH	HPS	1	4.8 MPa (48.9 kg/cm <sup>2</sup> )
23	G	E12 N99 297	TOP PANEL		1	
24	G	E12 N99 293	SEPARATOR		1	
25	G	E12 N99 523	REAR GUARD		1	
26	G	E12 N99 515	MOTOR SUPPORT		1	
27	G	E12 N99 630	OUTDOOR HEAT EXCHANGER (TOP)		1	Including capillary tubes
28	G	E12 P01 630	OUTDOOR HEAT EXCHANGER (UNDER)		1	Including capillary tubes
29	G	E12 N99 526	DEFROST HEATER		1	
30	G	E12 N99 381	HEATER PROTECTOR		1	
31	G	E12 N99 086	SIDE PANEL (L)		1	
32	G	E17 943 009	HANDLE (REAR)		1	
33	G	E17 942 009	HANDLE (FRONT)		1	
34	G	E12 N99 492	2-WAY SOLENOID VALVE		1	
35	G	E12 939 936	CAPILLARY TUBE (Ø4.0 x Ø2.8 x 100)		2	O.D. 0.16 x I.D. x 0.11 x 3.94
36	G	E12 820 936	CAPILLARY TUBE (Ø2.5 x Ø0.6 x 1000)		1	O.D. 0.10 x I.D. x 0.02 x 39.37

# RoHS PARTS LIST (RoHS compliant)

MXZ-2C20NAHZ

## 1-6. OUTDOOR UNIT FUNCTIONAL PARTS AND ELECTRICAL PARTS



## RoHS PARTS LIST (RoHS compliant)

### MXZ-2C20NAHZ

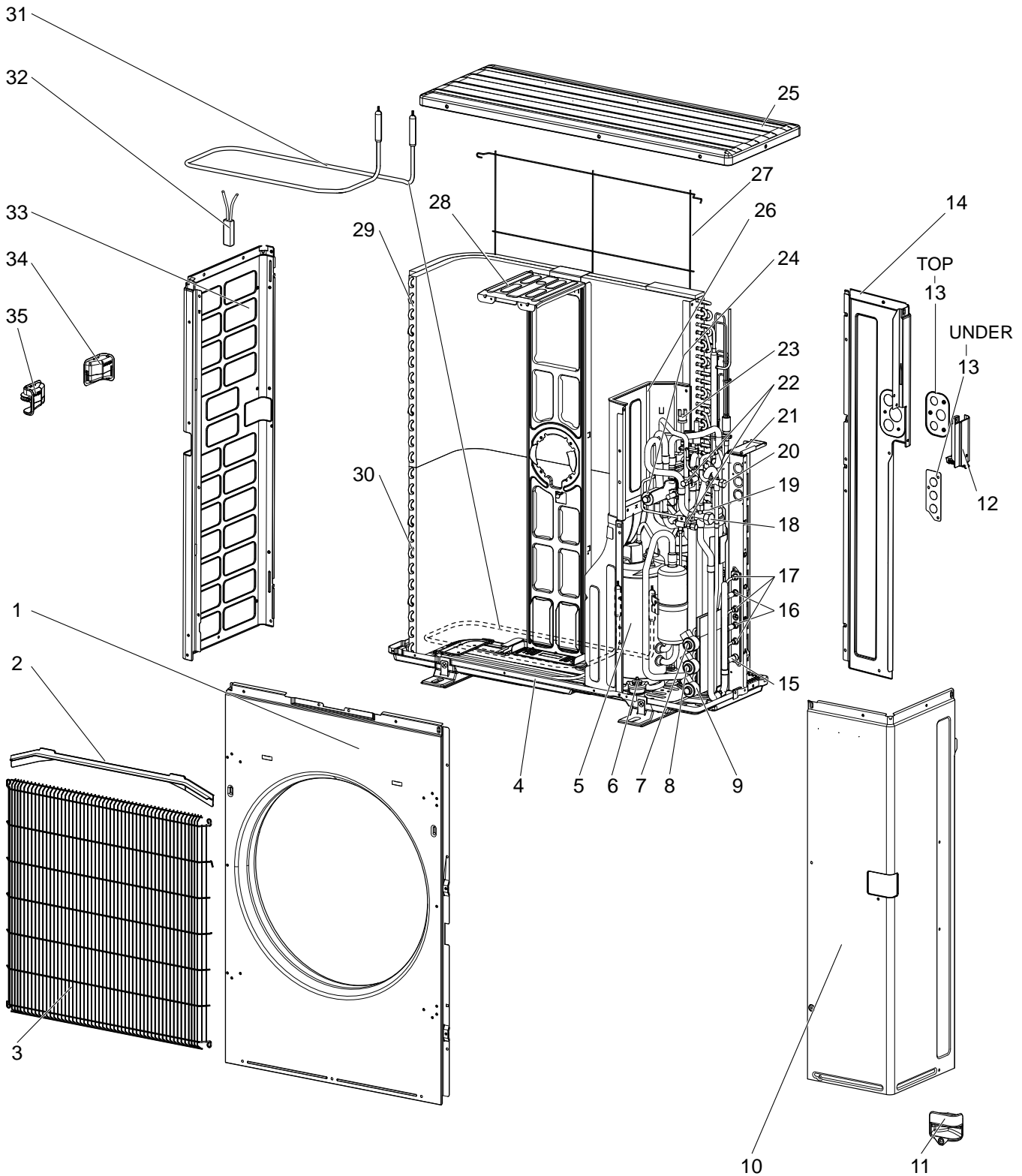
#### 1-6. OUTDOOR UNIT FUNCTIONAL PARTS AND ELECTRICAL PARTS

No.	RoHS	Parts No.	Parts Name	Symbol In Wiring Diagram	Q'ty/unit		Remarks
						MXZ-2C20NAHZ	
1	G	E17 A15 508	PROPELLER FAN NUT			1	
2	G	E12 N99 501	PROPELLER FAN			1	
3	G	E12 N99 301	OUTDOOR FAN MOTOR	MF		1	SIC-81FW-D888-□
4	G	E12 N99 450	OUTDOOR CONTROL P.C. BOARD			1	
5	G	E12 P01 490	2-WAY VALVE SOLENOID COIL	21S2		1	
6	G	E12 N99 490	R.V. COIL	21S4		1	
7	G	E12 C92 375	TERMINAL BLOCK	TB2,3		2	Indoor unit connecting
8	G	E12 N99 374	TERMINAL BLOCK	TB1		1	Power supply
9	G	E12 N99 308	THERMISTOR SET	RT61,62,68		1	DEFROST, DISCHARGE, OUTDOOR HEAT EXCHANGER
10	G	E12 N99 309	AMBIENT TEMPERATURE THERMISTOR	RT65		1	
11	G	E12 N99 440	OUTDOOR POWER P.C. BOARD			1	Including heat sink and RT64
12	G	E12 N99 337	REACTOR	L1,L2		2	30A 750μH

# RoHS PARTS LIST (RoHS compliant)

MXZ-3C24NAHZ MXZ-3C30NAHZ

## 1-7. OUTDOOR UNIT STRUCTURAL PARTS AND FUNCTIONAL PARTS



# RoHS PARTS LIST (RoHS compliant)

## MXZ-3C24NAHZ MXZ-3C30NAHZ

### 1-7. OUTDOOR UNIT STRUCTURAL PARTS AND FUNCTIONAL PARTS

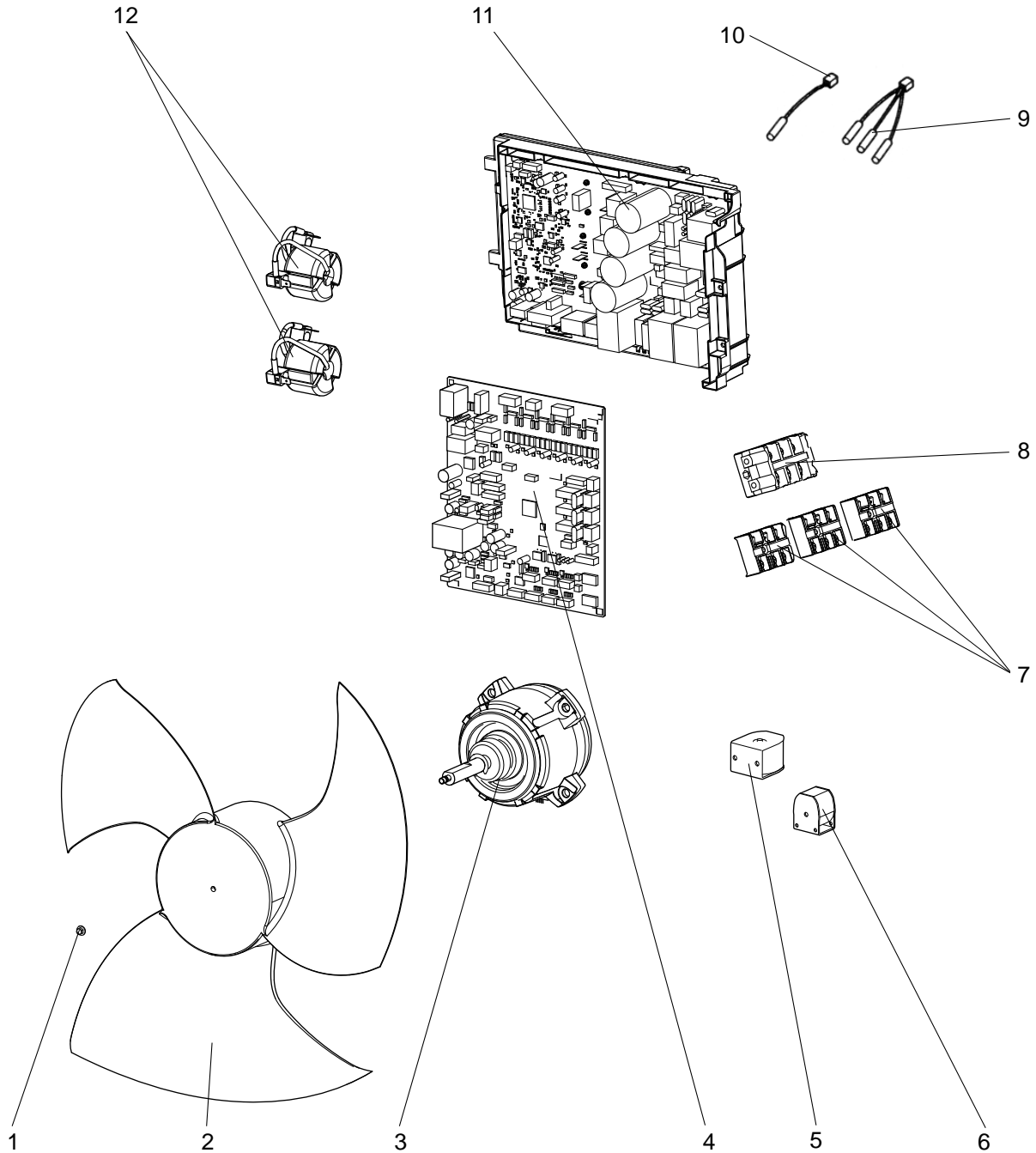
Part numbers that are circled are not shown in the illustration.

No.	RoHS	Parts No.	Parts Name	Symbol In Wiring Diagram	Q'ty/unit		Remarks
					MXZ-		
					3C24NAHZ	3C30NAHZ	
1	G	E12 N99 232	FRONT PANEL		1	1	
2	G	E17 A15 531	ICE GUARD		1	1	
3	G	E17 942 521	GRILLE		1	1	
4	G	E12 N99 290	BASE ASSEMBLY		1	1	
5	G	E12 N99 900	COMPRESSOR	MC	1	1	MNB33FBTMC-L
6	G	E12 267 506	COMPRESSOR RUBBER SET		3	3	3 RUBBERS SET
7	G	E12 N99 640	EXPANSION VALVE		1	1	C room
	G	E12 P02 493	LEV COIL	LEV C	1	1	C room
8	G	E12 N99 640	EXPANSION VALVE		1	1	B room
	G	E12 P01 493	LEV COIL	LEV B	1	1	B room
9	G	E12 N99 640	EXPANSION VALVE		1	1	A room
	G	E12 N99 493	LEV COIL	LEV A	1	1	A room
10	G	E12 N99 245	SERVICE PANEL		1	1	Without LABEL
11	G	E12 P01 009	HANDLE		1	1	
12	G	E12 N99 009	HANDLE (BACK)		1	1	
13	G	E12 N99 978	CONDUIT PLATE (TOP)		1	1	
	G	E12 P01 978	CONDUIT PLATE (UNDER)		1	1	
14	G	E12 N99 233	BACK PANEL		1	1	
15	G	E12 D37 666	UNION (GAS) (Ø12.7)		1	1	Ø1/2, A room
16	G	E12 D36 666	UNION (GAS) (Ø9.52)		2	2	Ø3/8, B, C room
17	G	E12 D36 667	UNION (LIQUID) (Ø6.35)		3	3	Ø1/4, A, B, C room
18	G	E12 N99 661	STOP VALVE (GAS) (Ø15.88)		1	1	Ø5/8
19	G	E12 N99 932	ACCUMULATOR		1	1	
20	G	E12 N99 662	STOP VALVE (LIQUID) (Ø9.52)		1	1	Ø3/8
21	G	E12 P01 814	BACK PILLAR		1	1	
22	G	E12 N99 641	SERVICE PORT		2	2	
23	G	E12 853 646	HIGH PRESSURE SWITCH	HPS	1	1	4.8 MPa (48.9 kg/cm <sup>2</sup> )
24	G	E12 N99 961	4-WAY VALVE		1	1	
25	G	E12 N99 297	TOP PANEL		1	1	Without LABEL
26	G	E12 N99 293	SEPARATOR		1	1	
27	G	E12 N99 523	REAR GUARD		1	1	
28	G	E12 N99 515	MOTOR SUPPORT		1	1	
29	G	E12 N99 630	OUTDOOR HEAT EXCHANGER (TOP)		1	1	Including capillary tubes
30	G	E12 P01 630	OUTDOOR HEAT EXCHANGER (UNDER)		1	1	Including capillary tubes
31	G	E12 N99 526	DEFROST HEATER		1	1	
32	G	E12 N99 381	HEATER PROTECTOR		1	1	
33	G	E12 N99 086	SIDE PANEL (L)		1	1	
34	G	E17 943 009	HANDLE (REAR)		1	1	
35	G	E17 942 009	HANDLE (FRONT)		1	1	
③⑥	G	E12 N99 492	2-WAY SOLENOID VALVE		1	1	
③⑦	G	E12 939 936	CAPILLARY TUBE (Ø4.0 x Ø2.8 x 100)		3	3	O.D. 0.16 x I.D. x 0.11 x 3.94
③⑧	G	E12 820 936	CAPILLARY TUBE (Ø2.5 x Ø0.6 x 1000)		1	1	O.D. 0.10 x I.D. x 0.02 x 39.37

# RoHS PARTS LIST (RoHS compliant)

MXZ-3C24NAHZ MXZ-3C30NAHZ

## 1-8. OUTDOOR UNIT FUNCTIONAL PARTS AND ELECTRICAL PARTS





## RoHS PARTS LIST (RoHS compliant)

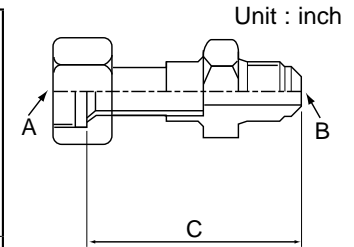
**MXZ-3C24NAHZ MXZ-3C30NAHZ**

### 1-8. OUTDOOR UNIT FUNCTIONAL PARTS AND ELECTRICAL PARTS

No.	RoHS	Parts No.	Parts Name	Symbol In Wiring Diagram	Q'ty/unit		Remarks
					MXZ-		
					3C24NAHZ	3C30NAHZ	
1	G	E17 A15 508	PROPELLER FAN NUT		1	1	
2	G	E12 N99 501	PROPELLER FAN		1	1	
3	G	E12 N99 301	OUTDOOR FAN MOTOR	MF	1	1	SIC-81FW-D888-□
4	G	E12 P01 450	OUTDOOR CONTROL P.C. BOARD		1		
	G	E12 P02 450				1	
5	G	E12 P01 490	2-WAY VALVE SOLENOID COIL	21S2	1	1	
6	G	E12 N99 490	R.V. COIL	21S4	1	1	
7	G	E12 C92 375	TERMINAL BLOCK	TB2,3,4	3	3	Indoor unit connecting
8	G	E12 N99 374	TERMINAL BLOCK	TB1	1	1	Power supply
9	G	E12 N99 308	THERMISTOR SET	RT61,62,68	1	1	DEFROST, DISCHARGE, OUTDOOR HEAT EXCHANGER
10	G	E12 N99 309	AMBIENT TEMPERATURE THERMISTOR	RT65	1	1	
11	G	E12 N99 440	OUTDOOR POWER P.C. BOARD		1	1	Including heat sink and RT64
12	G	E12 N99 337	REACTOR	L1,L2	2	2	30A 750μH

## 2-1. DIFFERENT-DIAMETER PIPE

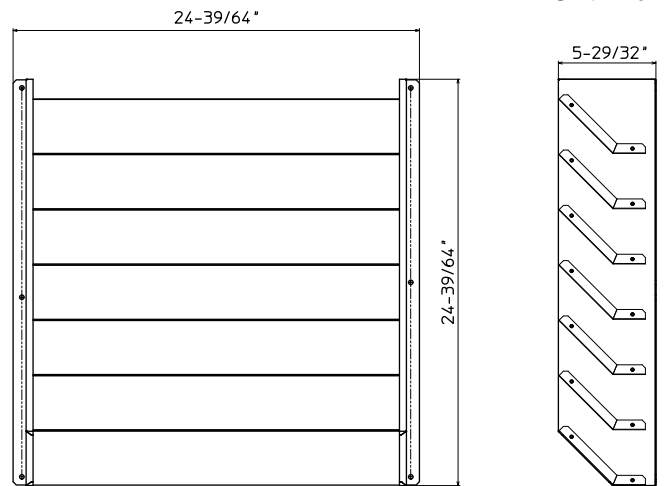
Model name	Connected pipes diameter	Diameter A	Diameter B	Length C	
MXZ-3C24NA MXZ-3C30NA MXZ-4C36NA MXZ-5C42NA MXZ-2C20NAHZ MXZ-3C24NAHZ MXZ-3C30NAHZ					
For different diameter pipes	MAC-A454JP-E	$\phi 3/8 - \phi 1/2$	$\phi 3/8$	$\phi 1/2$	2.72
	MAC-A455JP-E	$\phi 1/2 - \phi 3/8$	$\phi 1/2$	$\phi 3/8$	2.56
	MAC-A456JP-E	$\phi 1/2 - \phi 5/8$	$\phi 1/2$	$\phi 5/8$	2.62
	PAC-493PI	$\phi 1/4 - \phi 3/8$	$\phi 1/4$	$\phi 3/8$	2.38
	PAC-SG76RJ-E	$\phi 3/8 - \phi 5/8$	$\phi 3/8$	$\phi 5/8$	4.00



## 2-2. OUTLET GUIDE

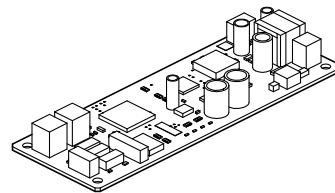
Changes air discharge direction.

Applied unit	Model name	Model code
MXZ-3C24NA MXZ-3C30NA MXZ-4C36NA MXZ-5C42NA MXZ-2C20NAHZ MXZ-3C24NAHZ MXZ-3C30NAHZ	PAC-SH96SG-E	7H2N19



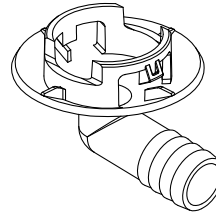
## 2-3. M-NET ADAPTER

Applied unit	Model name	Model code
MXZ-3C24NA MXZ-3C30NA MXZ-4C36NA MXZ-5C42NA MXZ-2C20NAHZ MXZ-3C24NAHZ MXZ-3C30NAHZ	PAC-IF01MNT-E	7H2N34



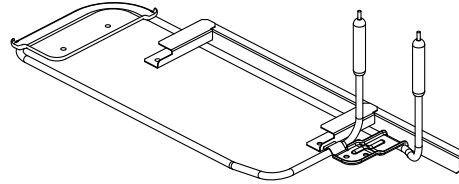
## 2-3. DRAIN SOCKET

Applied unit	Model name	Model code
MXZ-3C24NA MXZ-3C30NA MXZ-4C36NA MXZ-5C42NA	PAC-SG60DS-E	7H2N24



## 2-5. BASE HEATER

Applied unit	Model name	Model code
MXZ-3C24NA MXZ-3C30NA MXZ-4C36NA MXZ-5C42NA	PAC-645BH-E	7H2590



### Components

①	Base heater	1	④	Base heater support (2)	1	⑦	Cable tie	2
②	Heater guard	1	⑤	Clamp	1	⑧	Fastener	2
③	Base heater support (1)	1	⑥	Screw	8	⑨	Spec label	1

# **mitsubishi electric corporation**

HEAD OFFICE: TOKYO BLDG., 2-7-3, MARUNOUCHI, CHIYODA-KU, TOKYO 100-8310, JAPAN

© Copyright 2014 MITSUBISHI ELECTRIC CORPORATION  
Distributed in Nov. 2014. No. OBB702 REVISED EDITION-B  
Distributed in Oct. 2014. No. OBB702 REVISED EDITION-A  
Distributed in Sep. 2014. No. OBB702  
Made in Japan

New publication, effective Nov. 2014  
Specifications are subject to change without notice.