

Job Name: _____

System Reference: _____ Date: _____



External Dimensions		
Indoor (H x W x D)	In.(mm)	9-1/16 x 63 x 26-3/4 (230 x 1,600 x 680)
Outdoor (H x W x D)		52-11/16 x 41-5/16 x 13 + 1-3/16 (1,338 x 800 x 330 + 30)

Net Weight		
Indoor	Lbs.(kg)	84 (38)
Outdoor		287 (130)

Sound Pressure Level			
Indoor (Low-M1-M2-Hi)		dB(A)	39-41-43-45
Outdoor	Cooling		49
	Heating	51	

Airflow Rate (Low-M1-M2-Hi)			
Indoor (Cooling)	DRY	CFM	810-885-955-1,025
	WET		740-810-885-955
Outdoor	DRY		3,320

Indoor Unit			
Blower Motor (ECM)	F.L.A.		0.97
Blower Motor Output	W		160
SHF			0.69
Moisture Removal	pt./h		11.7

Outdoor Unit			
Compressor			INVERTER
Fan Motor (ECM)	F.L.A.		0.4+0.4
MOCP	A		44

Refrigerant Piping		
Liquid (High Pressure)	In.(mm)	3/8 (9.52)
Gas (Low Pressure)		5/8 (15.88)
Maximum Total Refrigerant Pipe Length	Ft. (m)	245 (75)
Maximum Vertical Separation	Ft. (m)	100 (30)

Refrigerant	R410A ; 13lbs. 4oz.
-------------	---------------------

Connection Method	Flared/Flared
-------------------	---------------

AHRI Efficiency Ratings	
EER	10.0
SEER	14.5
HSPF	10.4
COP at 47° F	3.39
COP at 17° F	2.35

ACCESSORIES:

- Condensate Pump (BlueDiamond X87-711/721; 115/230V)
- Condensate Pump (Sauermann SI30-115/230; 115/230V)
- Wind Baffle (One Piece)* (WB-PA2)
- Air Outlet Guide (One Piece)* (PAC-SG59SG)
- *PUZ-HA42NKA requires two outlet guides or wind baffles for installation.
- Wireless Wall-mounted Remote Controller Kit (MHK1)**
- Portable Central Controller (MCCH1)**
- Outdoor Air Sensor (MOS1)**
- Wired Wall-mounted Controller (PAR-31MAA)**
- Simple MA Remote Controller (PAC-YT53CRAU)**

**See Submittal for information on each option.

SPECIFICATIONS:

Rated Capacity*		
Cooling	Btu/h	42,000
Heating at 47° F	Btu/h	48,000
Heating at 17° F	Btu/h	44,000

* Rating Conditions per AHRI Standard:
 Cooling | Indoor: 80° F (27° C)DB / 67° F (19° C)WB; Outdoor: 95° F (35° C)DB / 75° F (24° C)WB
 Heating at 47° F | Indoor: 70° F (21° C)DB / 60° F (16° C)WB; Outdoor: 47° F (8° C)DB / 43° F (6° C)WB
 Heating at 17° F | Indoor: 70° F (21° C)DB / 60° F (16° C)WB; Outdoor: 17° F (-8° C)DB / 15° F (-9° C)WB

Operating Range	
Cooling	0° F** to 115° F (-18° C to 46° C) DB
Heating	-13° F to 70° F (-25° C to 21° C) DB

** With optional wind baffle accessory installed. If not installed, the min. temp. will be 23° F (-5° C) DB.

Capacity Range		
Cooling	Btu/h	19,000-42,000
Heating at 47° F	Btu/h	21,000-54,000

Rated Total Input		
Cooling	W	4,200
Heating at 47° F	W	4,150
Heating at 17° F	W	5,490

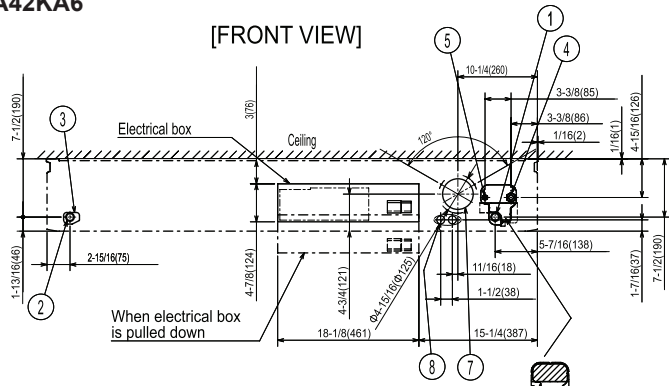
Electrical Power Requirements	208 / 230V, 1-Phase, 60 Hz
-------------------------------	----------------------------

Minimum Circuit Ampacity (MCA)		
Indoor	A	2.00
Outdoor		37

External Finish	
Indoor	Munsell No. 6.4Y 8.9/0.4
Outdoor	Munsell No. 3Y 7.8 / 1.1

DIMENSIONS: PCA-A42KA6 & PUZ-HA42NKA

PCA-A42KA6

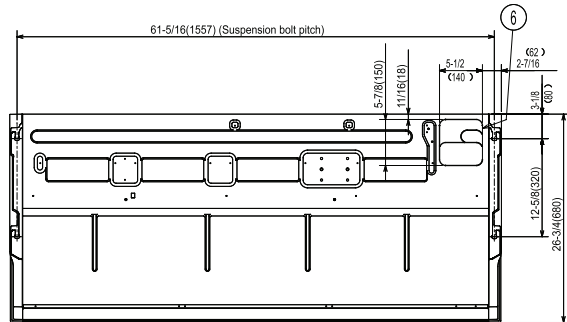


If the piping is installed in the back of the unit, remove the shaded portions from the component at right. Then, reinstall the component in its original position (the heat exchanger might be clogged because of dust).

NOTES.

1. Use M10 or W3/8 screw for anchor bolt.
2. Please be sure when installing the drain lift up mechanism (option parts), refrigerant pipe will be only upward.

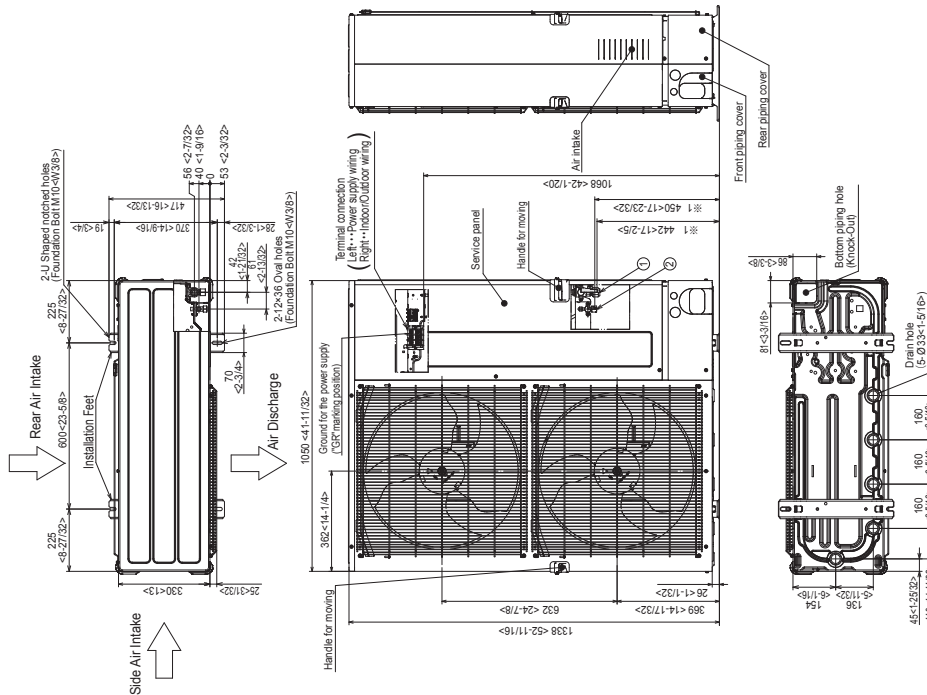
Unit: inch (mm)



- ① Drainage pipe connection (1(26mm) I.D.)
 - ② Drainage pipe connection (for the left arrangement)
 - ③ Knockout hole for left drain-piping arrangement
 - ④ Refrigerant-pipe connection (gas pipe side/flared connection)
 - ⑤ Refrigerant-pipe connection (liquid pipe side/flared connection)
 - ⑥ Knockout hole for upper drain pipe arrangement
 - ⑦ Knockout hole for ventilation air intake Φ 3-15/16 (Φ 100)
 - ⑧ Knockout hole for wiring arrangement Φ 7/8 (Φ 22)
- Accessory...Drain socket (1(26mm) I.D.)

PUZ-HA42NKA

Unit: mm<inch>



COOLING & HEATING

1340 Satellite Boulevard, Suwanee, GA 30024
Toll Free: 800-433-4822 www.mehvac.com

