

Job Name:

System Reference:

Date:

APPLIES TO INDOOR UNIT:

- SEZ-KD15NA4.TH
- SEZ-KD15NAR1.TH
- SEZ-KD15NA4R1.TH

Outdoor Unit:
SUZ-KA15NA2**INDOOR UNIT FEATURES**

- Concealed horizontal-ducted unit for applications with short duct runs
- Quiet operation
- Ultra-thin body: 7-7/8" high
- Built-in condensate lift mechanism (lifts to 21-21/32")
- Multiple control options available:
 - kumo cloud[®] smart device app for remote access
 - Third-party interface options
 - Wired or wireless controllers
- Static capability up to 0.20 in. WG

OUTDOOR UNIT FEATURES

- Variable speed INVERTER-driven compressor
- Innovative Joint Lap DC Motor leads to high efficiency and reliability
- Pulse Amplitude Modulation technology
- High-performance grooved piping for increased heat exchange efficiency

SPECIFICATIONS: SEZ-KD15NA4 & SUZ-KA15NA2

Cooling at 95°F ¹	Maximum Capacity	BTU/H	15,000
	Rated Capacity	BTU/H	15,000
	Minimum Capacity	BTU/H	5,200
	Maximum Power Input	W	1,150
	Rated Power Input	W	1,150
	Moisture Removal	Pints/h	1.9
	Sensible Heat Factor		0.86
	Power Factor (208/230V)	%	97
Cooling at 82°F	Maximum Capacity	BTU/H	16,200
	Rated Capacity	BTU/H	16,200
	Minimum Capacity	BTU/H	5,400
	Maximum Power Input	W	990
	Rated Power Input	W	990
Heating at 47°F ²	Maximum Capacity	BTU/H	21,600
	Rated Capacity	BTU/H	18,000
	Minimum Capacity	BTU/H	5,000
	Maximum Power Input	W	2,000
	Rated Power Input	W	1,440
	Power Factor	%	98
Heating at 17°F ³	Maximum Capacity	BTU/H	11,700
	Rated Capacity	BTU/H	11,700
	Maximum Power Input	W	1,280
	Rated Power Input	W	1,280
Heating at 5°F ⁴	Maximum Capacity	BTU/H	10,000
	Maximum Power Input	W	1,150
Heating at -4°F ⁵	Maximum Capacity	BTU/H	7,500
Efficiency	SEER		19.0
	EER ¹		13.0
	HSPF (IV)		11.4
	COP at 47°F ²		3.60
	COP at 17°F in Maximum Capacity ³		2.68
	COP at 5°F in Maximum Capacity ⁴		2.54
	ENERGY STAR [®] certified units (ENERGY STAR products are third-party certified by an EPA-recognized Certification Body.)		Yes
Electrical	Voltage, Phase, Frequency		208/230V, 1 phase, 60Hz
	Guaranteed Voltage Range	V AC	187-253
	Voltage: Indoor - Outdoor, S1-S2	V AC	208/230
	Voltage: Indoor - Outdoor, S2-S3	V DC	24
	Short-circuit Current Rating (SCCR)	kA	5
	Recommended Fuse/Breaker Size (Outdoor)	A	15
	Recommended Wire Size (Indoor - Outdoor)	AWG	14
Indoor Unit	MCA	A	1
	Fan Motor Full Load Amperage	A	0.74
	Fan Motor Output	W	96
	Airflow Rate at Cooling, Dry	CFM	529-441-353
	Airflow Rate at Cooling, Wet	CFM	476-396-317
	Airflow Rate at Heating, Dry	CFM	529-441-353
	Sound Pressure Level (Cooling)	dB(A)	37-34-30
	Sound Pressure Level (Heating)	dB(A)	37-34-30
	External Static Pressure	in.WG	0.02-0.06-0.14-0.20
	Drain Pipe Size	In. (mm)	1-1/4 (32)

SPECIFICATIONS: SEZ-KD15NA4 & SUZ-KA15NA2

	Condensate Lift Mechanism, Maximum Distance	In. (mm)	21-21/32 (550)
	Heat Exchanger Type		Plate fin coil
	External Finish Color		Galvanized
	Unit Dimensions	W: In. (mm)	39 (990)
		D: In. (mm)	27-9/16 (700)
		H: In. (mm)	7-7/8 (200)
	Package Dimensions	W: In. (mm)	47-1/4 (1,200)
		D: In. (mm)	35-7/16 (900)
H: In. (mm)		14-3/16 (360)	
Unit Weight	Lbs. (kg)	54 (24)	
Package Weight	Lbs. (kg)	79 (36)	
Indoor Unit Operating Temperature Range	Cooling Intake Air Temp (Maximum / Minimum)*	°F	90 DB / 72 WB // 68 DB / 61 WB
	Heating Intake Air Temp (Maximum / Minimum)	°F	77 DB // 59 DB
Outdoor Unit	MCA	A	10
	MOCP	A	18
	Fan Motor Full Load Amperage	A	0.5
	Fan Motor Output	W	55
	Airflow Rate	CFM	1,243 / 1,229
	Refrigerant Control		LEV
	Defrost Method		Reverse cycle
	Heat Exchanger Type		Plate fin coil
	Blue Fin Coating on Heat Exchanger		Yes
	Sound Pressure Level, Cooling ¹	dB(A)	49
	Sound Pressure Level, Heating ²	dB(A)	51
	Compressor Type		DC INVERTER-driven Twin Rotary
	Compressor Model		SNB130FQBMT
	Compressor Rated Load Amps	A	7.4
	Compressor Locked Rotor Amps	A	9.3
	Compressor Oil Type // Charge	oz.	FV50S // 11.8
	External Finish Color		Ivory Munsell 3Y 7.8/1.1
	Base Pan Heater		Optional
	Unit Dimensions	W: In. (mm)	31-1/2 (800)
		D: In. (mm)	11-1/4 (285)
H: In. (mm)		21-5/8 (550)	
Package Dimensions	W: In. (mm)	39 (940)	
	D: In. (mm)	14-15/16 (380)	
	H: In. (mm)	24-13/16 (630)	
Unit Weight	Lbs. (kg)	81 (37)	
Package Weight	Lbs. (kg)	88 (40)	
Outdoor Unit Operating Temperature Range	Cooling Air Temp (Maximum / Minimum)*	°F	115 / 14
	Cooling Thermal Lock-out / Re-start Temperatures**	°F	-1 / 3
	Heating Air Temp (Maximum / Minimum)	°F	75 / -4
	Heating Thermal Lock-out / Re-start Temperatures**	°F	-9 / -4
Refrigerant	Type		R410A
	Charge	Lbs, oz	2, 9
Piping	Gas Pipe Size O.D. (Flared)	In.(mm)	1/2 (12.7)
	Liquid Pipe Size O.D. (Flared)	In.(mm)	1/4 (6.35)
	Maximum Piping Length	Ft. (m)	65
	Maximum Height Difference	Ft. (m)	40
	Maximum Number of Bends		10

SPECIFICATIONS: SEZ-KD15NA4 & SUZ-KA15NA2

Notes

AHRI Rated Conditions (Rated data is determined at a fixed compressor speed)	¹ Cooling (Indoor // Outdoor)	°F	80 DB, 67 WB // 95 DB, 75 WB
	² Heating at 47°F (Indoor // Outdoor)	°F	70 DB, 60 WB // 47 DB, 43 WB
	³ Heating at 17°F (Indoor // Outdoor)	°F	70 DB, 60 WB // 17 DB, 15 WB
Conditions	⁴ Heating at 5°F (Indoor // Outdoor)	°F	70 DB, 60 WB // 5 DB, 4 WB
	⁵ Heating at -4°F (Indoor // Outdoor)	°F	70 DB, 60 WB // -4 DB, -5 WB

*Applications should be restricted to comfort cooling only; equipment cooling applications are not recommended for low ambient temperature conditions.

**System cuts out in heating mode to avoid thermistor error and automatically restarts at these temperatures.

ACCESSORIES: SEZ-KD15NA4

Filter Box with MERV 8 Filters	<input type="checkbox"/> FBL1-2
Wireless Signal Receiver	<input type="checkbox"/> PAR-SA9CA-E
Wireless Signal Receiver	<input type="checkbox"/> PAR-FA32MA-W
Wireless Remote Controller	<input type="checkbox"/> PAR-FL32MA-E
kumo touch™ RedLINK™ Wireless Controller	<input type="checkbox"/> MHK2
Deluxe MA Remote Controller	<input type="checkbox"/> PAR-40MAAU
Simple MA Controller	<input type="checkbox"/> PAC-YT53CRAU-J
Touch MA Controller	<input type="checkbox"/> PAR-CT01MAU-SB
Wired Remote Sensor	<input type="checkbox"/> PAC-SE41TS-E
Wireless Temperature and Humidity Sensor	<input type="checkbox"/> PAC-USWHS003-TH-1
Flush Mount Remote Temperature Sensor	<input type="checkbox"/> PAC-USSEN001-FM-1
Wireless Interface 2	<input type="checkbox"/> PAC-USWHS002-WF-2
Thermostat Interface	<input type="checkbox"/> PAC-US444CN-1
kumo station®	<input type="checkbox"/> PAC-WHS01HC-E
USNAP Interface	<input type="checkbox"/> PAC-WHS01UP-E
IT Extender	<input type="checkbox"/> PAC-WHS01IE-E
BACnet® and MODBUS® Interface	<input type="checkbox"/> PAC-UKPRC001-CN-1
External Fan / Heater Control Relay Adapter	<input type="checkbox"/> CN24RELAY-KIT-CM3
Wire for Remote on/off with CN32 connector	<input type="checkbox"/> PAC-715AD
Connector and wire for Operation status/error using CN51	<input type="checkbox"/> PAC-725AD
Connector cable for remote display	<input type="checkbox"/> PAC-SA88HA-EP
Remote Operation Adapter ¹	<input type="checkbox"/> PAC-SF40RM-E
Bottom Return Plate (Converts low-profile ducted indoor unit from rear return to bottom return)	<input type="checkbox"/> BRP-2
Blue Diamond Sensor Extension Cable — 15 Ft.	<input type="checkbox"/> C13-103
Blue Diamond Alarm Extension Cable — 6.5 Ft.	<input type="checkbox"/> C13-192
Blue Diamond MultiTank — collection tank for use with multiple pumps	<input type="checkbox"/> C21-014
Blue Diamond Rubber Foot Pads	<input type="checkbox"/> F10-010
Mini Condensate Pump — 230 volt application	<input type="checkbox"/> SI30-230
MegaBlue Advanced Blue Diamond Condensate Pump w/ Reservoir & Sensor	<input type="checkbox"/> X87-835 - 110 to 250V
Advanced Blue Diamond Mini Condensate Pump w/ Reservoir & Sensor (208/230V) [recommended]	<input type="checkbox"/> X87-721 - 208/230V
(30A/600V/UL) [fits 2" X 4" utility box] - Black	<input type="checkbox"/> TAZ-MS303
(30A/600V/UL) [fits 2" X 4" utility box] - White	<input type="checkbox"/> TAZ-MS303W

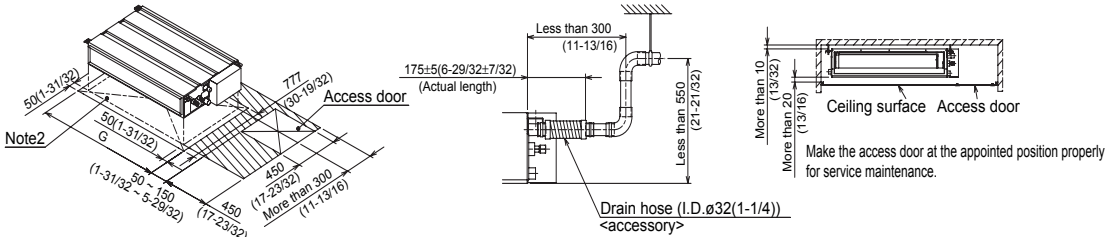
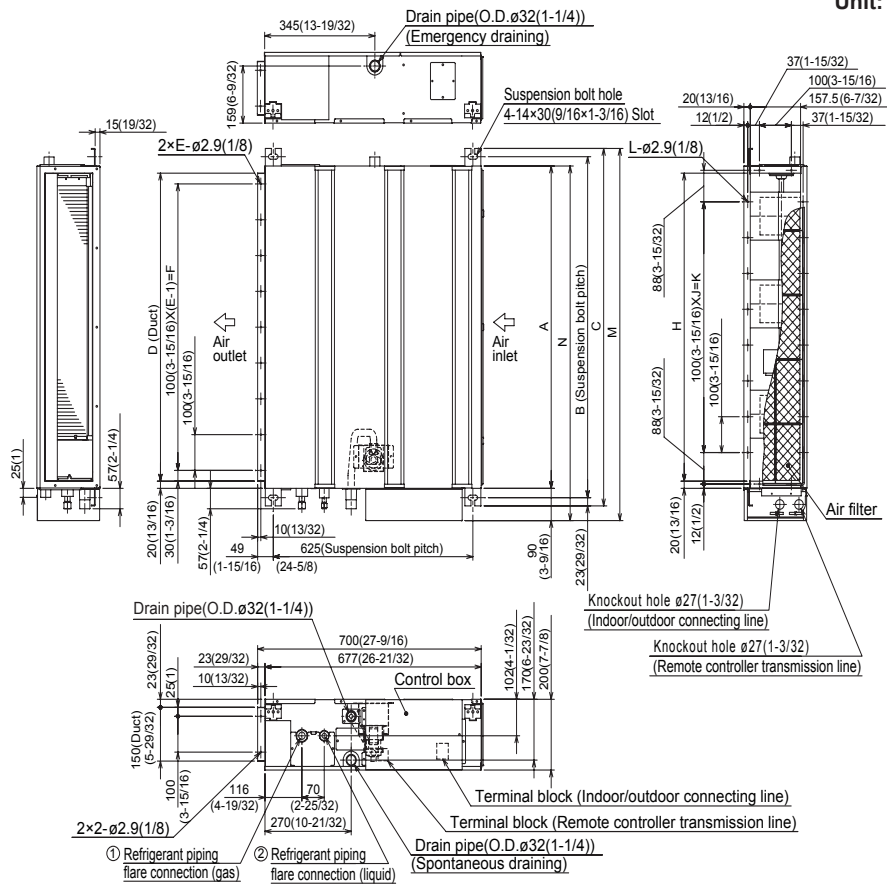
¹ Unable to use with wireless remote controller

ACCESSORIES: SUZ-KA15NA2

Air Outlet Guide	<input type="checkbox"/> MAC-881SG
Optional Defrost Heater	<input type="checkbox"/> MAC-640BH-U
Hail Guard	<input type="checkbox"/> HG-B4
Outdoor Unit 3-1/4 inch Mounting Base (Pair) - Plastic	<input type="checkbox"/> DSD-400P
Condensing Unit Mounting Pad 16" x 36" x 3"	<input type="checkbox"/> ULTRILITE1
Outdoor Unit Stand — 12" High	<input type="checkbox"/> QSMS1201M
Outdoor Unit Stand — 18" High	<input type="checkbox"/> QSMS1801M
Outdoor Unit Stand — 24" High	<input type="checkbox"/> QSMS2401M
Heavy Duty Wall Mounting Bracket— Coated Steel	<input type="checkbox"/> QSWB2000M-1
Heavy Duty Wall Mounting Bracket— 316 Series Stainless Steel	<input type="checkbox"/> QSWBSS
15' x 1/4" x 15' / 3/8" Lineset (Twin-Tube Insulation)	<input type="checkbox"/> MLS143812T-15
30' x 1/4" x 30' / 3/8" Lineset (Twin-Tube Insulation)	<input type="checkbox"/> MLS143812T-30
50' x 1/4" x 50' / 3/8" Lineset (Twin-Tube Insulation)	<input type="checkbox"/> MLS143812T-50
65' x 1/4" x 65' / 3/8" Lineset (Twin-Tube Insulation)	<input type="checkbox"/> MLS143812T-65

DIMENSIONS: SEZ-KD15NA4

Unit: mm (inch)



Required space for service and maintenance

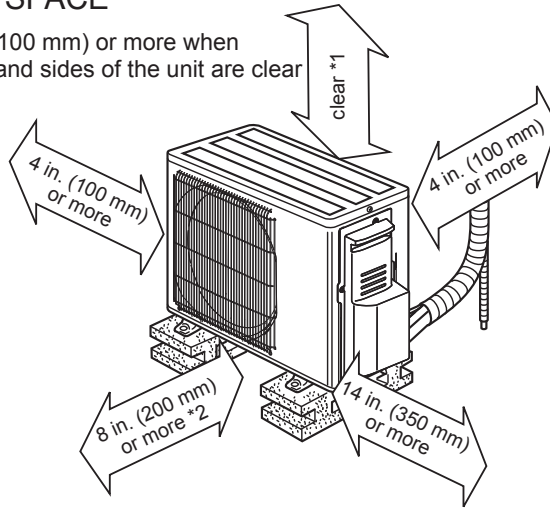
mm (in.)

Sizes	A	B	C	D	E	F	G	H	J	K	L	M	N	① Gas pipe	② Liquid pipe
09 KBTU/H	700 (27-9/16)	752 (29-5/8)	798 (31-7/16)	660 (26)	7	600 (23-5/8)	800 (31-1/2)	660 (26)	5	500 (19-11/16)	16	839 (33-1/16)	790 (31-1/8)	$\phi 9.52(3/8)$ $\phi 6.35(1/4)$	
12 KBTU/H	900 (35-7/16)	952 (37-1/2)	998 (39-5/16)	860 (33-7/8)	9	800 (31-1/2)	1000 (39-3/8)	860 (33-7/8)	7	700 (27-9/16)	20	1039 (40-29/32)	990 (39)		
15 KBTU/H	1100 (43-5/16)	1152 (45-3/8)	1198 (47-3/16)	1060 (41-3/4)	11	1000 (39-3/8)	1200 (47-1/4)	1060 (41-3/4)	9	900 (35-7/16)	24	1239 (48-25/32)	1190 (46-7/8)		
18 KBTU/H															

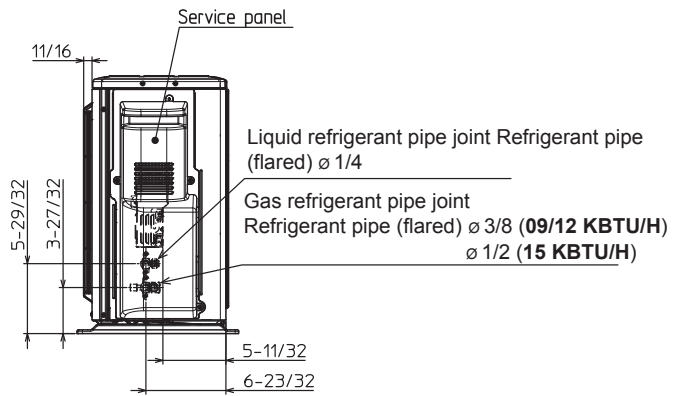
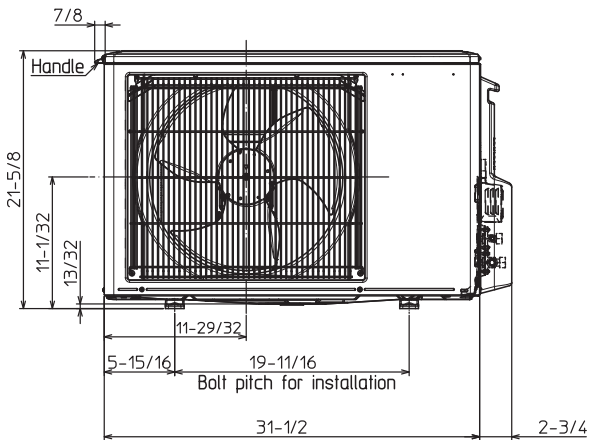
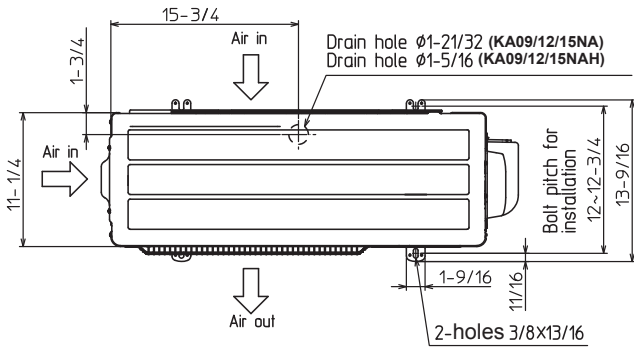
- Note1. Use M10 screw for the suspension bolt (field supply).
 2. Keep the service space for the maintenance at the bottom.
 3. This chart indicates for size 15 kBTu/h model, which has 3 fans.
 Sizes 09, 12 kBTu/h models have 2 fans.
 Sizes 08 kBTu/h model has 4 fans.
 4. When an inlet duct is used, remove the air filter (supply with the unit), then install the filter (field supply) at suction side.

REQUIRED SPACE

*1 4 in. (100 mm) or more when front and sides of the unit are clear



*2 When any 2 sides of left, right and rear of the unit are clear



1340 Satellite Boulevard, Suwanee, GA 30024
Toll Free: 800-433-4822 www.mehvac.com