



RP14

Parts List
22-May-2015



*This parts list is current as of the above revision date.
See <http://www.rheempartslists.net/92-42801-RP14.pdf> for the current revision.*

Heat Pumps

Table of Contents

Model Explanation.....	Page 3
Parts Numbers	
Panels	Page 4
Electrical-Fan Group.....	Page 5
Coil Parts	Page 6
Compressor Group.....	Page 7
Accessories	Page 8
Drawings/Photographs	
Exploded View	Page 9
Control Box.....	Page 10
Valve Mounting, Compressor	Page 11
Notes	Page 12

MODEL NUMBER EXPLANATION

R	P	1	4	1	8	A	J	1	N	A
1	2	3		4		5	6	7	8	9

- | | |
|---|---|
| <p>(1) Brand</p> <p>(2) Product Category
P = Heat Pump</p> <p>(3) Seer
14 = 14 SEER</p> <p>(4) COOLING CAPACITY (BTU/HR)
018 = 18,000
024 = 24,000
030 = 30,000
036 = 36,000
042 = 42,000
048 = 48,000
060 = 60,000</p> | <p>(5) MAJOR SERIES
A = First Design Series</p> <p>(6) VOLTAGE
J = 208-230/1/60
C = 208-230/3/60
D = 460/3/60</p> <p>(7) TYPE
1 = Single Stage</p> <p>(8) CONTROLS
N = Non-Communicating</p> <p>(9) MINOR SERIES
A = First Design Series</p> |
|---|---|

SERIAL NUMBER EXPLANATION

W	0	8	1	3	9	9	9	9
(1)	(2)		(3)		(4)			

- (1) PLANT CODE**
W = West Nuevo Laredo
- (2) WEEK OF PRODUCTION**
- (3) YEAR OF PRODUCTION**
- (4) PRODUCTION NUMBER**

Note: For Compressor Identification Number, see Compressor Code on Rating Plate

No.	Notes	MODEL COOLING CAPACITY VARIATION	RP14 18 AJ1NA	RP14 24 AJ1NA	RP14 30 AJ1NA	RP14 36 AC1NA	RP14 36 AJ1NA	RP14 42 AC1NA	
SHEET METAL PARTS, MISCELLANEOUS									
1		Front Panel	AE-104456-07	AE-104456-07	AE-104456-07	AE-104456-03	AE-104456-03	AE-104456-03	
2		Left Panel	AE-104456-09	AE-104456-09	AE-104456-09	AE-104456-21	AE-104456-21	AE-104456-21	
3		Back Panel	AE-104456-08	AE-104456-08	AE-104456-08	AE-104456-04	AE-104456-04	AE-104456-04	
4		Right Panel	AE-104456-10	AE-104456-10	AE-104456-07	AE-104456-03	AE-104456-03	AE-104456-35	
5		Base Pan	68-104457-01	68-104457-01	68-104457-01	68-104457-02	68-104457-02	68-104457-02	
6		Control Box	AE-104461-01	AE-104461-01	AE-104461-01	AE-104461-01	AE-104461-01	AE-104461-01	
7		Control Box Cover	AS-104462-01H	AS-104462-01H	AS-104462-01H	AS-104462-01H	AS-104462-01H	AS-104462-01H	
8		Control Box Bracket	AS-104460-01H	AS-104460-01H	AS-104460-01H	AS-104460-02H	AS-104460-02H	AS-104460-02H	
9		Service Door	AS-104525-01H	AS-104525-01H	AS-104525-01H	AS-104525-01H	AS-104525-01H	AS-104525-01H	
10		Center Post (2)	AS-104459-01H	AS-104459-01H	AS-104459-01H	AS-104459-03H	AS-104459-03H	AS-104459-03H	
12		Corner Post - Solid	AS-104469-08H (1)	AS-104469-08H (1)	N/A	N/A	N/A	N/A	
12		Corner Post - Louvered	AS-104469-01H (2)	AS-104469-01H (2)	AS-104469-01H (3)	AS-104469-02H (3)	AS-104469-02H (3)	AS-104469-02H (3)	
13		Top Panel	AS-104458-01H	AS-104458-01H	AS-104458-01H	AS-104458-02H	AS-104458-02H	AS-104458-02H	
14		Venturi	68-104464-02	68-104464-02	68-104464-02	68-104464-04	68-104464-04	68-104464-04	
15		Grille	95-104620-01	95-104620-01	95-104620-01	95-104620-02	95-104620-02	95-104620-02	
		Center Cap - Blank (for Grille)	91-101123-00	91-101123-00	91-101123-00	91-101123-00	91-101123-00	91-101123-00	
		Service Valve - Suction	See Coil Group						
		Service Valve - Liquid	See Coil Group						
		Touch-up Paint - Granite/Steel Gray (Aerosol)	PD523018	PD523018	PD523018	PD523018	PD523018	PD523018	
		Touch-up Paint - Granite/Steel Gray (Paint Pens)	PD523019	PD523019	PD523019	PD523019	PD523019	PD523019	

No.	Notes	MODEL COOLING CAPACITY VARIATION	RP14 42 AJ1NA	RP14 48 AC1NA	RP14 48 AJ1NA	RP14 60 AC1NA	RP14 60 AJ1NA		
SHEET METAL PARTS, MISCELLANEOUS									
1		Front Panel	AE-104456-03	AE-104456-25	AE-104456-25	AE-104456-43	AE-104456-43		
2		Left Panel	AE-104456-21	AE-104456-41	AE-104456-41	AE-104456-56	AE-104456-56		
3		Back Panel	AE-104456-04	AE-104456-26	AE-104456-26	AE-104456-44	AE-104456-44		
4		Right Panel	AE-104456-03	AE-104456-25	AE-104456-25	AE-104456-43	AE-104456-43		
5		Base Pan	68-104457-02	68-104457-02	68-104457-02	68-104457-03	68-104457-03		
6		Control Box	AE-104461-01	AE-104461-01	AE-104461-01	AE-104461-01	AE-104461-01		
7		Control Box Cover	AS-104462-01H	AS-104462-01H	AS-104462-01H	AS-104462-01H	AS-104462-01H		
8		Control Box Bracket	AS-104460-02H	AS-104460-04H	AS-104460-04H	AS-104460-05H	AS-104460-05H		
9		Service Door	AS-104525-01H	AS-104525-01H	AS-104525-01H	AS-104525-01H	AS-104525-01H		
10		Center Post (2)	AS-104459-03H	AS-104459-07H	AS-104459-07H	AS-104459-09H	AS-104459-09H		
12		Corner Post - Louvered	AS-104469-02H (3)	AS-104469-04H (3)	AS-104469-04H (3)	AS-104469-05H (5)	AS-104469-05H (5)		
13		Top Panel	AS-104458-02H	AS-104458-02H	AS-104458-02H	AS-104458-03H	AS-104458-03H		
14		Venturi	68-104464-04	68-104464-04	68-104464-04	68-104464-05	68-104464-05		
15		Grille	95-104620-02	95-104620-02	95-104620-02	95-104620-03	95-104620-03		
		Center Cap - Blank (for Grille)	91-101123-00	91-101123-00	91-101123-00	91-101123-00	91-101123-00		
		Service Valve - Suction	See Coil Group						
		Service Valve - Liquid	See Coil Group						
		Touch-up Paint - Granite/Steel Gray (Aerosol)	PD523018	PD523018	PD523018	PD523018	PD523018		
		Touch-up Paint - Granite/Steel Gray (Paint Pens)	PD523019	PD523019	PD523019	PD523019	PD523019		

No.	Notes	MODEL COOLING CAPACITY VARIATION	RP14 18 AJ1NA	RP14 24 AJ1NA	RP14 30 AJ1NA	RP14 36 AC1NA	RP14 36 AJ1NA	RP14 42 AC1NA
ELECTRICAL/FAN GROUP								
20	Stk	Fan Motor	51-101774-23	51-101774-23	51-101774-23	51-101774-02	51-101774-02	51-101774-31
21	Stk	Fan Blade	70-101323-26	70-101323-26	70-101323-32	70-102011-12	70-102011-12	70-102011-09
22	Stk	Contactora	42-102664-05	42-102664-05	42-102664-05	42-102664-14	42-102664-05	42-102664-14
23		Capacitor	See Compressor Group					
23a		Capacitor Strap	AE-104562-01	AE-104562-01	AE-104562-01	AE-104562-01	AE-104562-01	AE-104562-01
24	Stk	Defrost Control Board	47-102685-06	47-102685-06	47-102685-06	47-102685-06	47-102685-06	47-102685-06
25		Crankcase Heater	See Compressor Group					
26		Grounding Lug	45-19000-01	45-19000-01	45-19000-01	45-19000-01	45-19000-01	45-19000-01
		Low Ambient Control	See Accessories Group					
27	Stk	Low Pressure Control	47-103670-05	47-103670-05	47-103670-05	47-103670-05	47-103670-05	47-103670-05
27a		Valve Body - Low Pressure Control	61-18542-01	61-18542-01	61-18542-01	61-18542-01	61-18542-01	61-18542-01
28	Stk	High Pressure Control	47-103669-01	47-103669-01	47-103669-01	47-103669-01	47-103669-01	47-103669-01

No.	Notes	MODEL COOLING CAPACITY VARIATION	RP14 42 AJ1NA	RP14 48 AC1NA	RP14 48 AJ1NA	RP14 60 AC1NA	RP14 60 AJ1NA	
ELECTRICAL/FAN GROUP								
20	Stk	Fan Motor	51-101774-31	51-102008-07	51-102008-07	51-101774-12	51-101774-12	
21	Stk	Fan Blade	70-102011-09	70-101323-30	70-101323-30	70-101323-29	70-101323-29	
22	Stk	Contactora	42-102664-05	42-102664-14	42-102664-10	42-102664-14	42-102664-10	
23		Capacitor	See Compressor Group					
23a		Capacitor Strap	AE-104562-01	AE-104562-01	AE-104562-01	AE-104562-01	AE-104562-01	
24	Stk	Defrost Control Board	47-102685-06	47-102685-06	47-102685-06	47-102685-06	47-102685-06	
25		Crankcase Heater	See Compressor Group					
26		Grounding Lug	45-19000-01	45-19000-01	45-19000-01	45-19000-01	45-19000-01	
		Low Ambient Control	See Accessories Group					
27	Stk	Low Pressure Control	47-103670-05	47-103670-05	47-103670-05	47-103670-05	47-103670-05	
27a		Valve Body - Low Pressure Control	61-18542-01	61-18542-01	61-18542-01	61-18542-01	61-18542-01	
28	Stk	High Pressure Control	47-103669-01	47-103669-01	47-103669-01	47-103669-01	47-103669-01	

No.	Notes	MODEL COOLING CAPACITY VARIATION	RP14 18 AJ1NA	RP14 24 AJ1NA	RP14 30 AJ1NA	RP14 36 AC1NA	RP14 36 AJ1NA	RP14 42 AC1NA	
COIL GROUP									
30	Stk	Condenser Coil	AS-104981-03	AS-104981-03	AS-105041-03	AS-105001-03	AS-105001-03	AS-105001-03	
31		Service Valve - Suction	61-104914-03	61-104914-03	61-104914-03	61-104914-03	61-104914-03	61-104914-04	
32		Service Valve - Liquid	61-104914-01	61-104914-01	61-104914-01	61-104914-01	61-104914-01	61-104914-01	
33		Bulkhead Valve	61-22369-04	61-22369-04	61-22369-04	61-22369-04	61-22369-04	61-22369-04	
33a		Valve Core	61-18551-01	61-18551-01	61-18551-01	61-18551-01	61-18551-01	61-18551-01	
33b		Valve Cap	83-100635-01	83-100635-01	83-100635-01	83-100635-01	83-100635-01	83-100635-01	
		Locknut - Bulkhead Valve	63-22368-01	63-22368-01	63-22368-01	63-22368-01	63-22368-01	63-22368-01	
27	Stk	Low Pressure Control	See Electrical Group						
28	Stk	High Pressure Control	See Electrical Group						
		Valve Core	61-18551-01	61-18551-01	61-18551-01	61-18551-01	61-18551-01	61-18551-01	
		Valve Cap	83-100635-01	83-100635-01	83-100635-01	83-100635-01	83-100635-01	83-100635-01	
	Stk	Filter Drier	83-41719-04	83-41719-04	83-41719-04	83-41719-04	83-41719-04	83-41719-04	
		Charge Compensator	83-104499-01	83-104499-01	83-104499-01	N/A	N/A	83-104499-02	
	Stk	TXV/Distributor Assembly	61-105338-01	61-105338-01	61-105338-03	61-105338-04	61-105338-04	61-105338-05	
	Stk	Reversing Valve	61-102498-04	61-102498-04	61-102498-09	61-102498-09	61-102498-09	61-102498-09	
	Stk	Solenoid Coil - Reversing Valve	61-101713-92	61-101713-92	61-101713-92	61-101713-92	61-101713-92	61-101713-92	
		Wiring Harness - Reversing Valve	61-26149-03	61-26149-03	61-26149-03	61-26149-03	61-26149-03	61-26149-03	

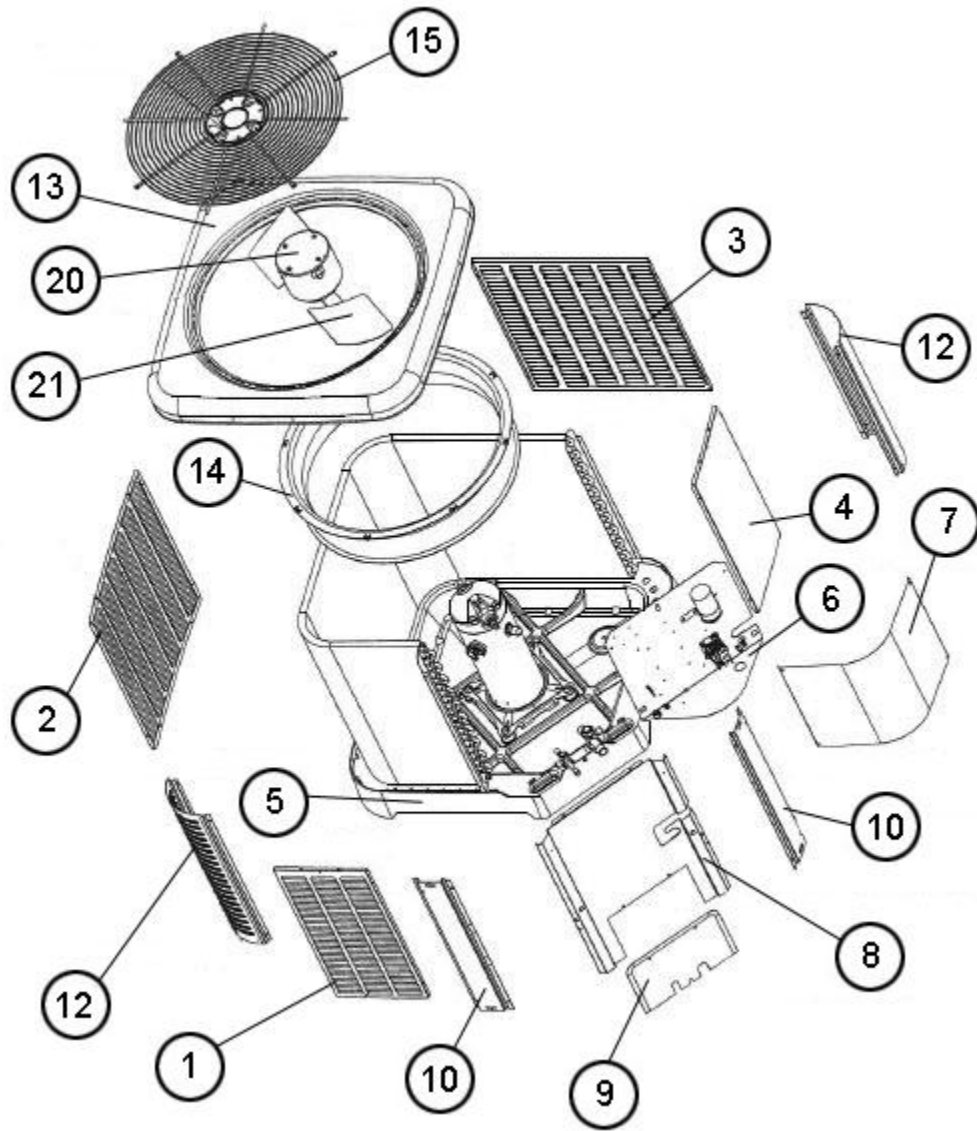
No.	Notes	MODEL COOLING CAPACITY VARIATION	RP14 42 AJ1NA	RP14 48 AC1NA	RP14 48 AJ1NA	RP14 60 AC1NA	RP14 60 AJ1NA		
COIL GROUP									
30	Stk	Condenser Coil	AS-105001-03	AS-105034-03	AS-105034-03	AS-105003-03	AS-105003-03		
31		Service Valve - Suction	61-104914-04	61-104914-04	61-104914-04	61-104914-04	61-104914-01		
32		Service Valve - Liquid	61-104914-01	61-104914-01	61-104914-01	61-104914-01	61-104914-01		
33		Bulkhead Valve	61-22369-04	61-22369-04	61-22369-04	61-22369-04	61-22369-04		
33a		Valve Core	61-18551-01	61-18551-01	61-18551-01	61-18551-01	61-18551-01		
33b		Valve Cap	83-100635-01	83-100635-01	83-100635-01	83-100635-01	83-100635-01		
		Locknut - Bulkhead Valve	63-22368-01	63-22368-01	63-22368-01	63-22368-01	63-22368-01		
27	Stk	Low Pressure Control	See Electrical Group						
28	Stk	High Pressure Control	See Electrical Group						
	Stk	Filter Drier	83-41719-04	83-41719-04	83-41719-04	83-41719-04	83-41719-04		
		Charge Compensator	83-104499-02	N/A	N/A	83-104499-12	83-104499-12		
	Stk	TXV/Distributor Assembly	61-105338-05	61-105338-06	61-105338-06	61-105338-07	61-105338-07		
	Stk	Reversing Valve	61-102498-09	61-102498-06	61-102498-06	61-102498-06	61-102498-06		
	Stk	Solenoid Coil - Reversing Valve	61-101713-92	61-101713-92	61-101713-92	61-101713-92	61-101713-92		
		Wiring Harness - Reversing Valve	61-26149-03	61-26149-03	61-26149-03	61-26149-03	61-26149-03		

No.	Notes	MODEL COOLING CAPACITY VARIATION	RP14 18 AJ1NA	RP14 24 AJ1NA	RP14 30 AJ1NA	RP14 36 AC1NA	RP14 36 AJ1NA	RP14 42 AC1NA
COMPRESSOR GROUP								
		Compressor ID:	8963	8964	8965	9030	8966	9031
40	Stk	Compressor	55-102045-120	55-102045-104S	55-102045-123	55-102045-132S	55-102045-124	55-102045-133S
		Compressor Grommet (4)	56-18518-04	56-18518-04	56-18518-04	56-18518-04	56-18518-04	56-18518-06
		Compressor Bolt (4)	63-20072-07	63-20072-07	63-20072-07	63-20072-07	63-20072-07	63-20072-07
23	Stk	Capacitor - Compressor/Fan	43-101665-60	43-101665-10	43-101665-10	N/A	43-101665-13	N/A
23	Stk	Capacitor - Fan	N/A	N/A	N/A	43-101666-65	N/A	43-101666-65
	Stk	Compressor Wiring Harness (Molded Plug)	45-100834-80	45-100834-80	45-100834-80	45-100834-80	45-100834-80	45-100834-80
25		Crankcase Heater	See Accessories					
		Muffler	83-104416-01	83-104416-01	83-104416-01	83-104416-01	83-104416-01	83-104416-01
		Filter Drier	83-41719-04	83-41719-04	83-41719-04	83-41719-04	83-41719-04	83-41719-04
		Charge Compensator	See Coil Group					

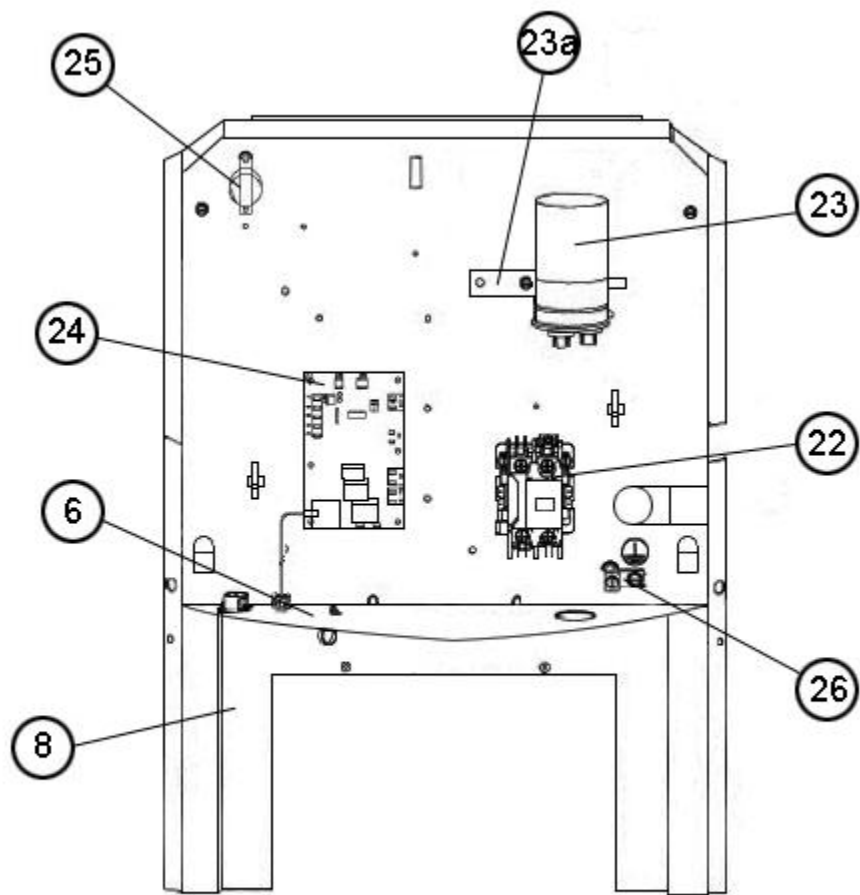
No.	Notes	MODEL COOLING CAPACITY VARIATION	RP14 42 AJ1NA	RP14 48 AC1NA	RP14 48 AJ1NA	RP14 60 AC1NA	RP14 60 AJ1NA	
COMPRESSOR GROUP								
		Compressor ID:	8967	9032	8968	9033	8969	
40	Stk	Compressor	55-102045-126	55-102045-134S	55-102045-128	55-102045-130S	55-102045-101S	
		Compressor Grommet (4)	56-18518-06	56-18518-06	56-18518-06	56-18518-06	56-18518-06	
		Compressor Bolt (4)	63-20072-07	63-20072-07	63-20072-07	63-20072-07	63-20072-07	
23	Stk	Capacitor - Compressor/Fan	43-101665-13	N/A	43-101665-58	N/A	43-101665-59	
23		Capacitor - Fan	N/A	43-101666-62	N/A	43-101666-65	N/A	
	Stk	Compressor Wiring Harness (Molded Plug)	45-100834-80	45-100834-80	45-100834-80	45-100834-80	45-100834-80	
25		Crankcase Heater	See Accessories				44-101884-13	44-101884-13
		Muffler	83-104416-01	83-104416-01	83-104416-01	83-104416-01	83-104416-01	
		Filter Drier	83-41719-04	83-41719-04	83-41719-04	83-41719-04	83-41719-04	
		Charge Compensator	See Coil Group					

No.	Notes	MODEL COOLING CAPACITY VARIATION	RP14 18 AJ1NA	RP14 24 AJ1NA	RP14 30 AJ1NA	RP14 36 AC1NA	RP14 36 AJ1NA	RP14 42 AC1NA
ACCESSORIES								
		Low Ambient Control	RXAD-A08	RXAD-A08	RXAD-A08	RXAD-A08	RXAD-A08	RXAD-A08
		Compressor Crankcase Heater	44-17402-44	44-17402-44	44-17402-44	44-17402-44	44-17402-44	44-17402-45
		Compressor Sound Cover	68-23427-26	68-23427-26	68-23427-26	68-23427-26	68-23427-26	68-23427-25
		Compressor Hard Start Kit	SK-A1	SK-A1	SK-A1	SK-A1	SK-A1	SK-A1

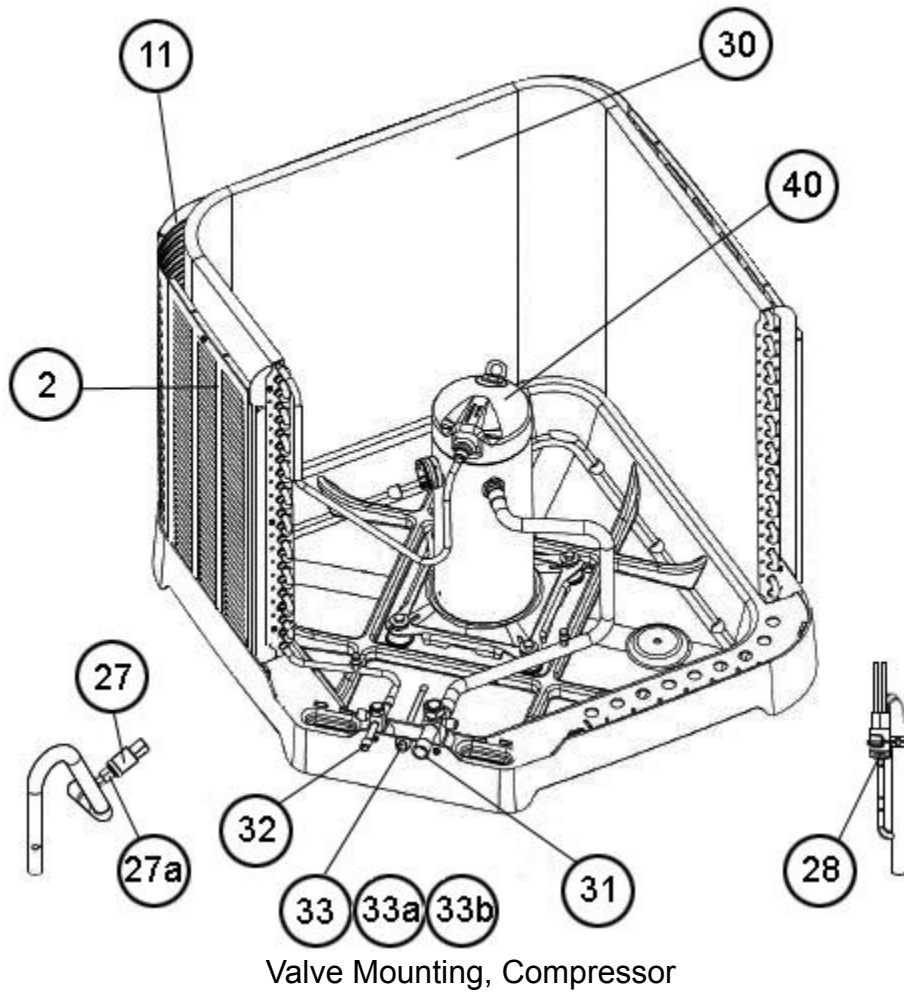
No.	Notes	MODEL COOLING CAPACITY VARIATION	RP14 42 AJ1NA	RP14 48 AC1NA	RP14 48 AJ1NA	RP14 60 AC1NA	RP14 60 AJ1NA	
ACCESSORIES								
		Low Ambient Control	RXAD-A08	RXAD-A08	RXAD-A08	RXAD-A08	RXAD-A08	
		Compressor Crankcase Heater	44-17402-45	44-17402-45	44-17402-45	Factory Standard		
		Compressor Sound Cover	68-23427-25	68-23427-25	68-23427-25	68-23427-25	68-23427-25	
		Compressor Hard Start Kit	SK-A1	SK-A1	SK-A1	SK-A1	SK-A1	



Exploded View



Control Box



NOTES

Stk It is recommended that stock be maintained for this part.
N/A Not Applicable