



# UHSL

Parts List  
19-January-2015



*This parts list is current as of the above revision date.  
See <http://www.rheempartslists.net/92-42801-UHSL.pdf> for the current revision.*

**Air Handlers**

# Table of Contents

Model Explanation .....	Page 3
<b>Parts Numbers</b>	
Panels - Miscellaneous (Granite-Steel Gray) .....	Page 4
Panels - Miscellaneous (Neutra Green) .....	Page 5
Electrical Group .....	Page 6
Blower Group.....	Page 7
Coil Parts .....	Page 8
Heater Kits .....	Page 9
<b>Drawings/Photographs</b>	
Exploded View .....	Page 10
Blower Assembly .....	Page 11
Notes .....	Page 12

**MODEL NUMBER EXPLANATION**

<b>U</b>	<b>H</b>	<b>S</b>	<b>L</b>	<b>-</b>	<b>H</b>	<b>M</b>	<b>1</b>	<b>8</b>	<b>1</b>	<b>7</b>	<b>J</b>	<b>A</b>
1	2	3	4		5		6		7		8	9

- |   |  |
|---|--|
| <p><b>1</b>      <b>MODEL DESIGNATION</b></p> <p><b>2</b>      <b>H = AIR HANDLER</b></p> <p><b>3</b>      <b>S= STANDARD (PSC MOTOR)</b></p> <p><b>4</b>      <b>L = R-410A REFRIGERANT</b></p> <p><b>5</b>      <b>APPLICATION</b><br/>HM = A/C or Hp, Multi-Position</p> <p><b>6</b>      <b>CAPACITY</b><br/>18 = 18,000 BTU/HR<br/>24 = 24,000 BTU/HR<br/>30 = 30,000 BTU/HR<br/>36 = 36,000 BTU/HR<br/>42 = 42,000 BTU/HR<br/>48 = 48,000 BTU/HR<br/>60 = 60,000 BTU/HR</p> | <p><b>7</b>      <b>CABINET SIZE</b><br/>17 = 17.5 in.<br/>21 = 21 in.<br/>24 = 24.5 in.</p> <p><b>8</b>      <b>VOLTAGE</b><br/>A = 115/1/60<br/>D = 480/3/60<br/>J = 208-240/1/60</p> <p><b>9</b>      <b>DESIGN VARIATION</b></p> |
|---|--|

**SERIAL NUMBER EXPLANATION**

<b>M</b>	<b>0</b>	<b>7</b>	<b>0</b>	<b>6</b>	<b>9</b>	<b>9</b>	<b>9</b>	<b>9</b>	<b>9</b>
1	2	3	4						

- 1**      **PRODUCTION LOCATION**  
M = Milledgeville, GA
- 2**      **WEEK OF PRODUCTION**
- 3**      **YEAR OF PRODUCTION**
- 4**      **PRODUCTION NUMBER**

No.	Notes	MODEL CAPACITY CABINET SIZE VOLTAGE	UHSL 18/24 17 A/J	UHSL 30/36 17 A/D/J	UHSL 36 21 D/J	UHSL 42/48 21 A/D/J	UHSL 48 24 D/J	UHSL 60 24 D/J	
<b>SHEET METAL PARTS, MISCELLANEOUS (Granite/Steel Gray, After Date Code 0112)</b>									
1		Cabinet	AE-100682-31	AE-100682-31	AE-100682-32	AE-100682-33	AE-100682-35	AE-100682-35	
2		Coil Door	AE-100685-32	AE-100685-32	AE-100685-33	AE-100685-34	AE-100685-36	AE-100685-36	
3		Top Cover Plate	AE-100686-31	AE-100686-31	AE-100686-32	AE-100686-32	AE-100686-33	AE-100686-33	
4		Blower Door	AE-100684-31	AE-100684-31	AE-100684-32	AE-100684-32	AE-100684-33	AE-100684-33	
5		Access Panel	AE-101133-31	AE-101133-31	AE-101133-31	AE-101133-31	AE-101133-31	AE-101133-31	
6		Drain Pan - Vertical	See RCSL Coil Parts List						
7		Drain Pan - Horizontal	See RCSL Coil Parts List						
8		Plate - Block Off	AE-100455-01	AE-100455-01	AE-100455-01	AE-100455-01	AE-100455-01	AE-100455-01	
9		Cabinet Brace	AE-101134-02	AE-101134-02	AE-101134-03	AE-101134-03	AE-101134-04	AE-101134-04	
10		Middle Brace	AE-101054-01	AE-101054-01	AE-101054-02	AE-101054-02	AE-101054-03	AE-101054-03	
13a		Heat Barrier	AE-100683-02	AE-100683-03	AE-100683-05	AE-100683-06	AE-100683-07	AE-100683-08	
13b		Heat Barrier Side (2)	AE-104241-01	AE-104241-01	AE-104241-01	AE-104241-01	AE-104241-01	AE-104241-01	
		Insulation Retainer Rod (2)	45-102868-02	45-102868-02	45-102868-03	45-102868-03	45-102868-04	45-102868-04	

No.	Notes	MODEL CAPACITY CABINET SIZE VOLTAGE	UHSL 18/24 17 A/J	UHSL 30/36 17 A/D/J	UHSL 36 21 D/J	UHSL 42/48 21 A/D/J	UHSL 48 24 D/J	UHSL 60 24 D/J	
<b>SHEET METAL PARTS, MISCELLANEOUS (Neutra Green, Before Date Code 0112)</b>									
1		Cabinet	AE-100682-01	AE-100682-01	AE-100682-02	AE-100682-03	AE-100682-05	AE-100682-05	
2		Coil Door	AE-100685-02	AE-100685-02	AE-100685-03	AE-100685-04	AE-100685-06	AE-100685-06	
3		Top Cover Plate	AE-100686-01	AE-100686-01	AE-100686-02	AE-100686-02	AE-100686-03	AE-100686-03	
4		Blower Door	AE-100684-01	AE-100684-01	AE-100684-02	AE-100684-02	AE-100684-03	AE-100684-03	
5		Access Panel	AE-101133-01	AE-101133-01	AE-101133-01	AE-101133-01	AE-101133-01	AE-101133-01	
6		Drain Pan - Vertical	See RCSL Coil Parts List						
7		Drain Pan - Horizontal	See RCSL Coil Parts List						
8		Plate - Block Off	AE-100455-01	AE-100455-01	AE-100455-01	AE-100455-01	AE-100455-01	AE-100455-01	
9		Cabinet Brace	AE-101134-02	AE-101134-02	AE-101134-03	AE-101134-03	AE-101134-04	AE-101134-04	
10		Middle Brace	AE-101054-01	AE-101054-01	AE-101054-02	AE-101054-02	AE-101054-03	AE-101054-03	
13a		Heat Barrier	AE-100683-02	AE-100683-03	AE-100683-05	AE-100683-06	AE-100683-07	AE-100683-08	
13b		Heat Barrier Side (2)	AE-104241-01	AE-104241-01	AE-104241-01	AE-104241-01	AE-104241-01	AE-104241-01	
		Insulation Retainer Rod (2)	45-102868-02	45-102868-02	45-102868-03	45-102868-03	45-102868-04	45-102868-04	

No.	Notes	MODEL CAPACITY CABINET SIZE VOLTAGE	UHSL	UHSL	UHSL	UHSL	UHSL	UHSL
			18 17 A	18 17 J	24 17 A	24 17 J	30 17 A	30 17 J
<b>ELECTRICAL GROUP</b>								
17	Stk	Transformer	46-101944-02	46-101905-02	46-101944-02	46-101905-02	46-101944-02	46-101905-02
18	Stk	Control Board - Before M3807	47-100436-84A	47-100436-84J	47-100436-84A	47-100436-84J	47-100436-84A	47-100436-84J
18	Stk	Control Board - After M3807	47-100436-05	47-100436-05	47-100436-05	47-100436-05	47-100436-05	47-100436-05
	Stk	Fuse	44-101986-01	44-101986-01	44-101986-01	44-101986-01	44-101986-01	44-101986-01
		Relay	N/A	N/A	N/A	N/A	N/A	N/A
		Wiring Harness - Before M3807 4 Pin Molex to 2 stripped wires, 2 terminals	N/A	45-24371-43	N/A	45-24371-43	N/A	45-24371-43
		Wiring Harness - Before M3807 5 Pin Molex to 5 stripped wires (For T-Stat)	45-102645-01	N/A	45-102645-01	N/A	45-102645-01	N/A
		Wiring Harness - After M3807 5 Pin Molex to 3 stripped wires (For T-Stat)	45-102645-02	N/A	45-102645-02	N/A	45-102645-02	N/A
		Wiring Harness - After M3807 5 Pin Molex to 5 stripped wires	N/A	45-102645-01	N/A	45-102645-01	N/A	45-102645-01
11		Terminal Block	45-23222-02	45-23222-02	45-23222-02	45-23222-02	45-23222-02	45-23222-02

No.	Notes	MODEL CAPACITY CABINET SIZE VOLTAGE	UHSL	UHSL	UHSL	UHSL	UHSL	UHSL
			36 17 A	36 17 D	36 17/21 J	36 21 D	42 21 A	42/48 21/24 D
<b>ELECTRICAL GROUP</b>								
17	Stk	Transformer	46-101944-02	46-101946-02	46-101905-02	46-101946-02	46-101944-02	46-101946-02
18	Stk	Control Board - Before M3807	47-100436-84A	47-100436-84D	47-100436-84J	47-100436-84D	47-100436-84A	47-100436-84D
18	Stk	Control Board - After M3807	47-100436-05	47-100436-05	47-100436-05	47-100436-05	47-100436-05	47-100436-05
	Stk	Fuse	44-101986-01	N/A	44-101986-01	N/A	44-101986-01	N/A
	Stk	Relay - Before M3807	N/A	42-19736-02	N/A	42-19736-02	N/A	42-19736-02
	Stk	Relay - After M3807	N/A	42-19736-04	N/A	42-19736-04	N/A	42-19736-04
		Wiring Harness - Before M3807 4 Pin Molex to 2 stripped wires, 2 terminals	N/A	45-24371-43	45-24371-43	45-24371-43	N/A	45-24371-43
		Wiring Harness - Before M3807 5 Pin Molex to 5 stripped wires (For T-Stat)	45-102645-01	N/A	N/A	N/A	45-102645-01	N/A
		Wiring Harness - After M3807 5 Pin Molex to 3 stripped wires (For T-Stat)	45-102645-02	N/A	N/A	N/A	45-102645-02	N/A
		Wiring Harness - After M3807 5 Pin Molex to 5 stripped wires	N/A	45-102645-01	45-102645-01	45-102645-01	N/A	45-102645-01
11		Terminal Block	45-23222-02	45-23222-02	45-23222-02	45-23222-02	45-23222-02	45-23222-02

No.	Notes	MODEL CAPACITY CABINET SIZE VOLTAGE	UHSL	UHSL	UHSL	UHSL	UHSL	UHSL
			42 21 J	48 21 A	48 21 D	48 21/24 J	60 24 D	60 24 J
<b>ELECTRICAL GROUP</b>								
17	Stk	Transformer	46-101905-02	46-101944-02	46-101946-02	46-101905-02	46-101946-02	46-101905-02
18	Stk	Control Board - Before M3807	47-100436-84J	47-100436-84A	47-100436-84D	47-100436-84J	47-100436-84D	47-100436-84J
18	Stk	Control Board - After M3807	47-100436-05	47-100436-05	47-100436-05	47-100436-05	47-100436-05	47-100436-05
	Stk	Fuse	44-101986-01	44-101986-01	N/A	44-101986-01	N/A	44-101986-01
	Stk	Relay - Before M3807	N/A	N/A	42-19736-02	N/A	42-19736-02	N/A
	Stk	Relay - After M3807	N/A	N/A	42-19736-04	N/A	42-19736-04	N/A
		Wiring Harness - Before M3807 4 Pin Molex to 2 stripped wires, 2 terminals	45-24371-43	N/A	45-24371-43	45-24371-43	45-24371-43	45-24371-43
		Wiring Harness - Before M3807 5 Pin Molex to 5 stripped wires (For T-Stat)	N/A	45-102645-01	N/A	N/A	N/A	N/A
		Wiring Harness - After M3807 5 Pin Molex to 3 stripped wires (For T-Stat)	N/A	45-102645-02	N/A	N/A	N/A	N/A
		Wiring Harness - After M3807 5 Pin Molex to 5 stripped wires	45-102645-01	N/A	45-102645-01	45-102645-01	45-102645-01	45-102645-01
11		Terminal Block	45-23222-02	45-23222-02	45-23222-02	45-23222-02	45-23222-02	45-23222-02

No.	Notes	MODEL CAPACITY CABINET SIZE VOLTAGE	UHSL	UHSL	UHSL	UHSL	UHSL	UHSL
			18 17 A	18 17 J	24 17 A	24 17 J	30 17 A	30 17 J
<b>BLOWER GROUP</b>								
15	Stk	Blower Assembly (Includes items 16-22) - Before M3807	AS-101929-81	AS-101931-81	AS-101929-82	AS-101931-82	AS-101929-83	AS-101931-83
15	Stk	Blower Assembly (Includes items 16-22) - After M3807	AS-101929-01	AS-101931-01	AS-101929-02	AS-101931-02	AS-101929-03	AS-101931-03
16		Mounting Bracket - Control Board	AE-101049-01	AE-101049-01	AE-101049-01	AE-101049-01	AE-101049-01	AE-101049-01
17		Transformer	See Electrical Group					
18		Control Board	See Electrical Group					
19		Blower Housing w/Wheel	70-101729-01	70-101729-01	70-101729-01	70-101729-01	70-101729-02	70-101729-02
	Stk	Blower Wheel	703012	703012	703012	703012	703014	703014
20		Motor Mount - Band	70-19927-04	70-19927-04	70-19927-04	70-19927-04	70-19927-04	70-19927-04
21		Motor Mount - Arm (4)	70-19929-10	70-19929-10	70-19929-10	70-19929-10	70-19929-10	70-19929-10
22	Stk	Blower Motor (PSC)	51-102175-01	51-101728-01	51-102175-02	51-102500-07	51-102175-03	51-101728-03
	Stk	Capacitor - Blower Motor	43-101666-55	43-101666-55	43-100510-58	43-101666-55	43-100510-56	43-100510-56
		Capacitor Strap	AE-50892-12	AE-50892-12	AE-50892-12	AE-50892-12	AE-50892-12	AE-50892-12
23		Mounting Bracket Cover	AE-101797-01	AE-101797-01	AE-101797-01	AE-101797-01	AE-101797-01	AE-101797-01

No.	Notes	MODEL CAPACITY CABINET SIZE VOLTAGE	UHSL	UHSL	UHSL	UHSL	UHSL	UHSL
			36 17 A	36 17 D	36 17/21 J	36 21 D	42 21 A	42 21 D
<b>BLOWER GROUP</b>								
15	Stk	Blower Assembly (Includes items 16-22) - Before M3807	AS-101929-84	AS-101932-81	AS-101931-84	AS-101932-81	AS-101929-85	AS-101932-82
15	Stk	Blower Assembly (Includes items 16-22) - After M3807	AS-101929-04	AS-101932-01	AS-101931-04	AS-101932-01	AS-101929-05	AS-101932-02
16		Mounting Bracket - Control Board	AE-101049-01	AE-101049-01	AE-101049-01	AE-101049-01	AE-101049-01	AE-101049-01
17		Transformer	See Electrical Group					
18		Control Board	See Electrical Group					
19		Blower Housing w/Wheel	70-101729-02	70-101729-02	70-101729-02	70-101729-02	70-101729-03	70-101729-03
	Stk	Blower Wheel	703014	703014	703014	703014	703013	703013
20		Motor Mount - Band	70-19927-04	70-19927-04	70-19927-04	70-19927-04	70-19927-04	70-19927-04
21		Motor Mount - Arm (4)	70-19929-10	70-19929-10	70-19929-10	70-19929-10	70-19929-10	70-19929-10
22	Stk	Blower Motor (PSC)	51-102175-04	51-102182-01	51-101728-04	51-102182-01	51-102175-05	51-102182-02
	Stk	Capacitor - Blower Motor	43-100510-43	43-100510-43	43-21298-43	43-100510-43	43-100510-57	43-100510-57
		Capacitor Strap	AE-50892-12	AE-50892-12	AE-50892-12	AE-50892-12	AE-50892-12	AE-50892-12
23		Mounting Bracket Cover	AE-101797-01	AE-101797-01	AE-101797-01	AE-101797-01	AE-101797-01	AE-101797-01

No.	Notes	MODEL CAPACITY CABINET SIZE VOLTAGE	UHSL	UHSL	UHSL	UHSL	UHSL	UHSL
			48 21/24 D	42 21 J	48 21/24 J	48 21 A	60 24 D	60 24 J
<b>BLOWER GROUP</b>								
15	Stk	Blower Assembly (Includes items 16-22) - Before M3807	AS-101932-83	AS-101931-85	AS-101931-86	AS-101929-86	AS-101932-84	AS-101931-87
15	Stk	Blower Assembly (Includes items 16-22) - After M3807	AS-101932-03	AS-101931-05	AS-101931-06	AS-101929-06	AS-101932-04	AS-101931-07
16		Mounting Bracket - Control Board	AE-101049-01	AE-101049-01	AE-101049-01	AE-101049-01	AE-101049-01	AE-101049-01
17		Transformer	See Electrical Group					
18		Control Board	See Electrical Group					
19		Blower Housing w/Wheel	70-101729-03	70-101729-03	70-101729-03	70-101729-03	70-101729-04	70-101729-04
	Stk	Blower Wheel	703013	703013	703013	703013	703015	703015
20		Motor Mount - Band	70-19927-04	70-19927-04	70-19927-04	70-19927-04	70-19927-04	70-19927-04
21		Motor Mount - Arm (4)	70-19929-10	70-19929-10	70-19929-10	70-19929-10	70-19929-10	70-19929-10
22	Stk	Blower Motor (PSC)	51-102182-03	51-101728-05	51-101728-06	51-102175-06	51-102182-04	51-101728-07
	Stk	Capacitor - Blower Motor	43-100510-57	43-100510-57	43-100510-57	43-100510-57	43-100510-57	43-100510-57
		Capacitor Strap	AE-50892-12	AE-50892-12	AE-50892-12	AE-50892-12	AE-50892-12	AE-50892-12
23		Mounting Bracket Cover	AE-101797-01	AE-101797-01	AE-101797-01	AE-101797-01	AE-101797-01	AE-101797-01

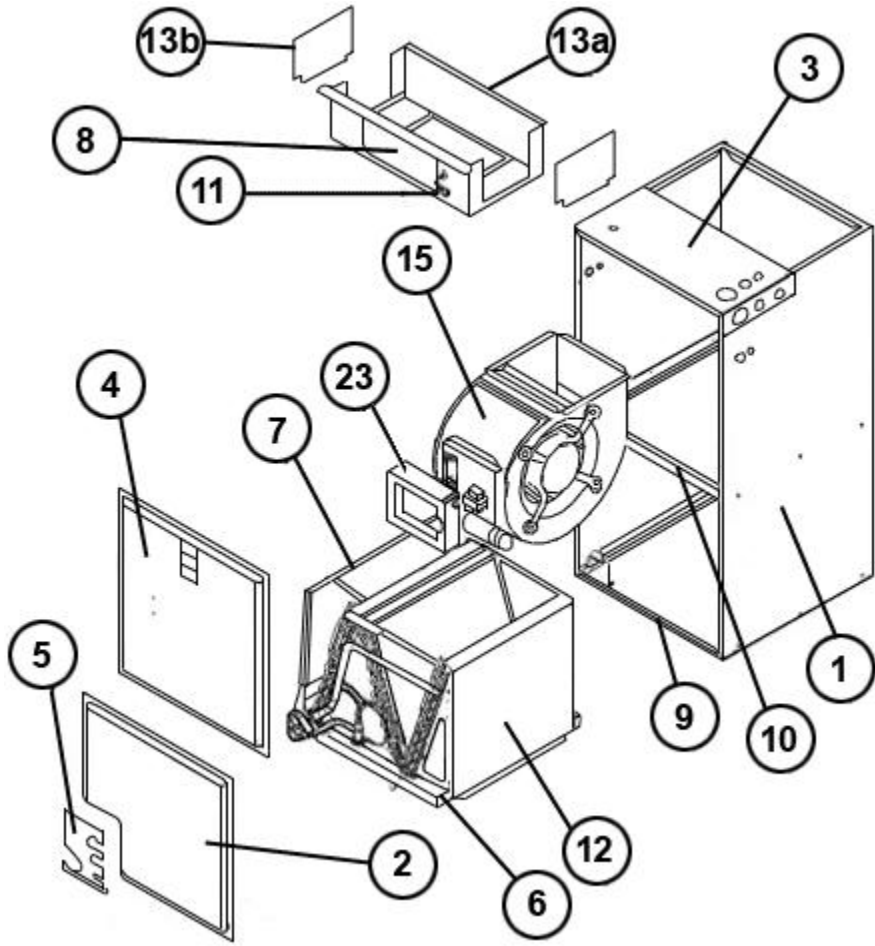
No.	Notes	MODEL CAPACITY CABINET SIZE VOLTAGE	UHSL 18/24 17 A/J	UHSL 30/36 17 A/D/J	UHSL 36 21 D/J	UHSL 42/48 21 A/D/J	UHSL 48 24 D/J	
<b>COIL GROUP</b>								
12		Replacement Coil w/TXV - Before Date Code Shown	RCSL-HM2417AU (4009)	RCSL-HM3617AU (0809)	RCSL-HM3621AU (0809)	RCSL-HM4821AU (2309)	RCSL-HM4824AU (2309)	
12		Replacement Coil w/TXV - On or After Date Code Shown	RCSL-HU2417CU (4009)	RCSL-HU3617CU (0809)	RCSL-HM3621AU (0809)	RCSL-HU4821CU (2309)	RCSL-HU4824CU (2309)	
		Horizontal Adapter Kit	RXHH-A02	RXHH-A03	N/A	RXHH-A04	RXHH-A04	
		Drain Pan	See specified RCSL Coil Parts List					
		TXV	See specified RCSL Coil Parts List					

No.	Notes	MODEL CAPACITY CABINET SIZE VOLTAGE	UHSL 60 24 D/J					
<b>COIL GROUP</b>								
12		Replacement Coil w/TXV Before Date Code Shown	RCSL-HM6024AU (4109)					
		Replacement Coil w/TXV On or After Date Code Shown	RCSL-HU6024CU (4109)					
		Horizontal Adapter Kit	RXHH-A05					
		Drain Pan	See specified RCSL Coil Parts List					
		TXV	See specified RCSL Coil Parts List					

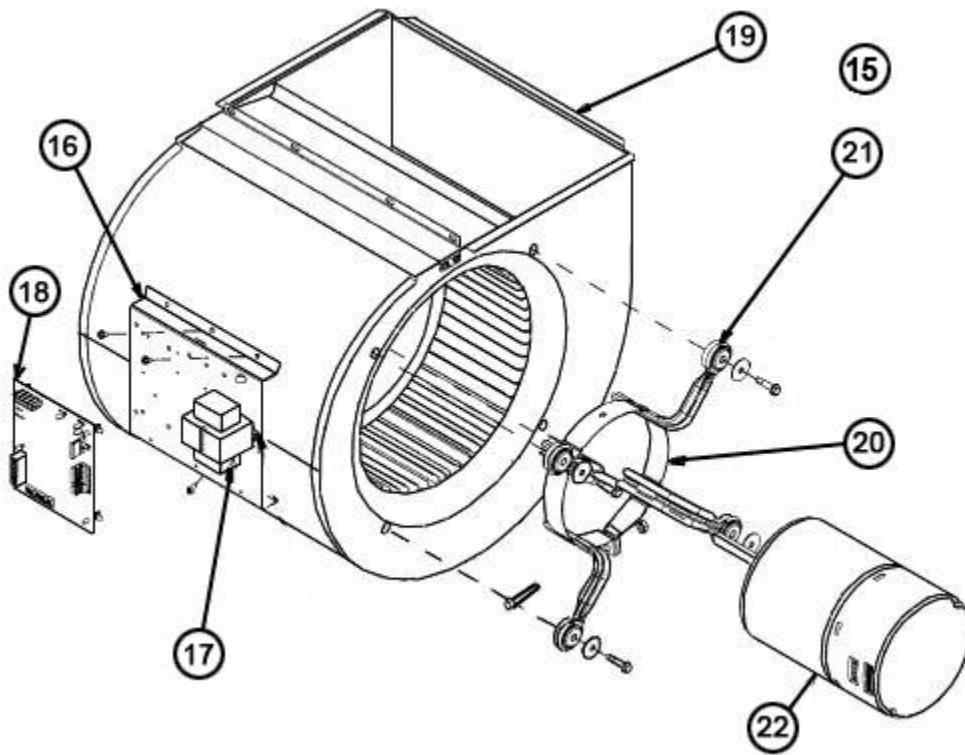


No.	Notes	MODEL CAPACITY CABINET SIZE VOLTAGE	UHSL 18/24 17 J	UHSL 30/36 17 J	UHSL 36 21 J	UHSL 42/48 21/24 J	UHSL 60 24 J
<b>HEATER KITS</b>							
		Heater Kit - 3kW/208-240/1	RXBH-17A03J RXBH-1724A03J RXBH-1724B03J RXBH-1724C03J	RXBH-17A03J RXBH-1724A03J RXBH-1724B03J RXBH-1724C03J	N/A	N/A	N/A
		Heater Kit - 5kW/208-240/1	RXBH-17A05J RXBH-1724A05J RXBH-1724B05J RXBH-1724C05J	RXBH-17A05J RXBH-1724A05J RXBH-1724B05J RXBH-1724C05J	RXBH-24A05J RXBH-1724A05J RXBH-1724B05J RXBH-1724C05J	RXBH-24A05J RXBH-1724A05J RXBH-1724B05J RXBH-1724C05J	RXBH-1724B05J RXBH-1724C05J
		Heater Kit - 7kW/208-240/1	RXBH-17A07J RXBH-1724A07J RXBH-1724B07J RXBH-1724C07J	RXBH-17A07J RXBH-1724A07J RXBH-1724B07J RXBH-1724C07J	RXBH-24A07J RXBH-1724A07J RXBH-1724B07J RXBH-1724C07J	RXBH-24A07J RXBH-1724A07J RXBH-1724B07J RXBH-1724C07J	RXBH-1724A07J RXBH-1724B07J RXBH-1724C07J
		Heater Kit - 10kW/208-240/1	RXBH-17A10J RXBH-1724A10J RXBH-1724B10J RXBH-1724C10J	RXBH-17A10J RXBH-1724A10J RXBH-1724B10J RXBH-1724C10J	RXBH-24A10J RXBH-1724A10J RXBH-1724B10J RXBH-1724C10J	RXBH-24A10J RXBH-1724A10J RXBH-1724B10J RXBH-1724C10J	RXBH-1724A10J RXBH-1724B10J RXBH-1724C10J
		Heater Kit - 13kW/208-240/1	RXBH-17A13J RXBH-1724A13J	RXBH-17A13J RXBH-1724A13J	N/A	N/A	N/A
		Heater Kit - 15kW/208-240/1	N/A	RXBH-17A15J RXBH-1724A15J	RXBH-24A15J RXBH-1724A15J	RXBH-24A15J RXBH-1724A15J	RXBH-1724A15J
		Heater Kit - 18kW/208-240/1	N/A	RXBH-17A18J RXBH-1724A18J	RXBH-24A18J RXBH-1724A18J	RXBH-24A18J RXBH-1724A18J	RXBH-1724A18J
		Heater Kit - 20kW/208-240/1	N/A	N/A	N/A	RXBH-24A20J	RXBH-24A20J
		Heater Kit - 25kW/208-240/1	N/A	N/A	N/A	RXBH-24A25J	RXBH-24A25J
		Heater Kit - 30kW/208-240/1	N/A	N/A	N/A	N/A	RXBH-24A30J
		Heater Kit - 7kW/208-240/3	RXBH-17A07C RXBH-1724A07C	RXBH-17A07C RXBH-1724A07C	RXBH-24A07C RXBH-1724A07C	RXBH-24A07C RXBH-1724A07C	RXBH-24A07C RXBH-1724A07C
		Heater Kit - 10kW/208-240/3	RXBH-17A10C RXBH-1724A10C	RXBH-17A10C RXBH-1724A10C	RXBH-24A10C RXBH-1724A10C	RXBH-24A10C RXBH-1724A10C	RXBH-24A10C RXBH-1724A10C
		Heater Kit - 13kW/208-240/3	RXBH-17A13C RXBH-1724A13C	RXBH-17A13C RXBH-1724A13C	N/A	N/A	N/A
		Heater Kit - 15kW/208-240/3	N/A	RXBH-17A15C RXBH-1724A15C	RXBH-24A15C RXBH-1724A15C	RXBH-24A15C RXBH-1724A15C	RXBH-24A15C RXBH-1724A15C
		Heater Kit - 18kW/208-240/3	N/A	RXBH-17A18C RXBH-1724A18C	RXBH-24A18C RXBH-1724A18C	RXBH-24A18C RXBH-1724A18C	RXBH-24A18C RXBH-1724A18C
		Heater Kit - 20kW/208-240/3	N/A	N/A	N/A	RXBH-24A20C	RXBH-24A20C
		Heater Kit - 25kW/208-240/3	N/A	N/A	N/A	RXBH-24A25C	RXBH-24A25C
		Heater Kit - 30kW/208-240/3	N/A	N/A	N/A	N/A	RXBH-24A30C

No.	Notes	MODEL CAPACITY CABINET SIZE VOLTAGE	UHSL 30/36 17 D	UHSL 36 21 D	UHSL 42/48 21/24 D	UHSL 60 24 D
<b>HEATER KITS</b>						
		Heater Kit - 7kW/480/3	RXBH-17A07D	RXBH-17A07D	RXBH-17A07D	RXBH-17A07D
		Heater Kit - 10kW/480/3	RXBH-17A10D	RXBH-17A10D	RXBH-17A10D	RXBH-17A10D
		Heater Kit - 15kW/480/3	RXBH-17A15D	RXBH-17A15D	RXBH-17A15D	RXBH-17A15D
		Heater Kit - 18kW/480/3	RXBH-17A18D	RXBH-17A18D	RXBH-17A18D	RXBH-17A18D
		Heater Kit - 20kW/480/3	N/A	N/A	RXBH-17A20D	RXBH-17A20D
		Heater Kit - 25kW/480/3	N/A	N/A	RXBH-17A25D	RXBH-17A25D
		Heater Kit - 30kW/480/3	N/A	N/A	N/A	RXBH-17A30D



Exploded View



Blower Assembly

# NOTES

Stk It is recommended that stock be maintained for this part.  
N/A Not Applicable