



# RF1P

Parts List  
02-June-2021



*This parts list is current as of the above revision date.  
See <http://www.rheempartslists.net/92-42801-RF1P.pdf> for the current revision.*

**Air Handlers**

# Table of Contents

Model Explanation .....	Page 3
Panels - Miscellaneous .....	Page 4
Electrical Group .....	Page 4
Blower Group.....	Page 5
Coil Parts .....	Page 6
Heater Kits .....	Page 6
<b>Drawings/Photographs</b>	
Exploded View 18SP-24SP .....	Page 7
Exploded View 18ST-24ST.....	Page 8
Exploded View 30SP-36SP .....	Page 9
Exploded View 30ST-36ST.....	Page 10
Blower Assembly .....	Page 11
Notes .....	Page 12

**MODEL NUMBER EXPLANATION**

<b>R</b>	<b>F</b>	<b>1</b>	<b>P</b>	<b>24</b>	<b>21</b>	<b>S</b>	<b>P</b>	<b>A</b>	<b>N</b>	<b>J</b>	<b>A</b>	<b>N</b>	<b>00</b>
<b>1</b>	<b>2</b>	<b>3</b>	<b>4</b>	<b>5</b>	<b>6</b>	<b>7</b>	<b>8</b>	<b>9</b>	<b>10</b>	<b>11</b>	<b>12</b>	<b>13</b>	<b>14</b>

- |  |   |
|--|---|
| <p>(1) <b>Brand</b></p> <p>(2) <b>Product Category</b><br/>F = Front Return Air Handler</p> <p>(3) <b>Stage of Air Flow</b><br/>1 = Single</p> <p>(4) <b>MOTOR TYPE</b><br/>P = PSC</p> <p>(5) <b>NOMINAL CAPACITY (BTU/HR)</b><br/>018 = 18,000<br/>024 = 24,000<br/>030 = 30,000<br/>036 = 36,000</p> <p>(6) <b>WIDTH</b><br/>21 = 21.5 inches<br/>24 = 24 inches</p> <p>(7) <b>EFFICIENCY</b><br/>S = Standard<br/>M = Medium<br/>H = High</p> <p>(8) <b>METERING DEVICE</b><br/>T = TEV<br/>P = Piston</p> | <p>(9) <b>MAJOR SERIES</b><br/>A = First</p> <p>(10) <b>CONTROLS</b><br/>N = Non-Communicating</p> <p>(11) <b>VOLTAGE</b><br/>J = 208-230/1/60</p> <p>(12) <b>MINOR SERIES</b><br/>A = First</p> <p>(13) <b>DISCONNECT</b><br/>B = Breaker<br/>N = None</p> <p>(14) <b>FACTORY HEAT</b><br/>00 = No Heat<br/>03 = 3 kW<br/>05 = 5 kW<br/>08 = 8 kW<br/>10 = 10 kW</p> |
|--|---|

**SERIAL NUMBER EXPLANATION**

<b>W</b>	<b>0</b>	<b>8</b>	<b>1</b>	<b>3</b>	<b>9</b>	<b>9</b>	<b>9</b>	<b>9</b>
(1)	(2)		(3)		(4)			

- (1) **PLANT CODE**  
W = West Nuevo Laredo
- (2) **WEEK OF PRODUCTION**
- (3) **YEAR OF PRODUCTION**
- (4) **PRODUCTION NUMBER**

No.	Notes	MODEL NOMINAL CAPACITY CABINET WIDTH	RF1P	RF1P	RF1P	RF1P
			18 21	24 21	30 24	36 24
<b>PANELS, SHEET METAL, MISCELLANEOUS</b>						
1	1	Top Panel	AE-103095-15	AE-103095-15	AE-103095-13	AE-103095-13
		Insulation - Top Panel	68-103240-09	68-103240-09	68-103240-02	68-103240-02
		Wire Insulation Retainer	45-102868-06	45-102868-06	45-102868-07	45-102868-07
		Grommet - 3/8 O.D. Tube	56-22521-02	56-22521-02	56-22521-02	56-22521-02
		Grommet - Header Tube	56-22521-05	56-22521-05	56-22521-05	56-22521-05
2	1	Blower Door (Models without Heater Kit)	AE-103093-17	AE-103093-17	AE-103093-18	AE-103093-18
2	1	Blower Door (Models with Heater Kit)	AE-103093-11	AE-103093-11	AE-103093-14	AE-103093-14
		Insulation - Blower Door	68-103240-03	68-103240-03	68-103240-13	68-103240-13
3	1	Bottom Panel	AE-103098-03	AE-103098-03	AE-103098-12	AE-103098-12
		Insulation - Bottom Panel	68-103240-17	68-103240-17	68-103240-05	68-103240-05
4	1	Middle (Front) Brace	AE-103219-01	AE-103219-01	AE-103219-02	AE-103219-02
		Insulation - Middle (Front) Brace	68-103240-07	68-103240-07	68-103240-12	68-103240-12
5		Bottom Brace	AE-103100-01	AE-103100-01	AE-103100-02	AE-103100-02
6		Plate - Block Off (No Heat)	AE-103098-11	AE-103098-11	AE-103098-11	AE-103098-11
7		Barrier - Heater Box	AE-103098-08	AE-103098-08	AE-103098-02	AE-103098-02
8		Mounting Bracket - Cabinet	AE-103105-01	AE-103105-01	AE-103105-01	AE-103105-01
9		Mounting Bracket - Wall	AE-103105-02	AE-103105-02	AE-103105-02	AE-103105-02
10		Blower Shelf	AE-103096-15	AE-103096-15	AE-103096-14	AE-103096-14
		Bushing - Universal Open/Closed (Beside Control Board)	45-103252-02	45-103252-02	45-103252-02	45-103252-02
		Bushing - Strain Relief (Wire Routing from Blower Motor)	45-17055-07	45-17055-07	45-17055-07	45-17055-07
11		Divider Panel - Heater Box	AE-103098-10	AE-103098-10	AE-103098-04	AE-103098-04
12		Front Panel - Heater Box	AE-103098-09	AE-103098-09	AE-103098-13	AE-103098-13
13		Filter	54-17531-04	54-17531-04	54-17531-06	54-17531-06
14		Filter Retainer (4)	AE-103218-01	AE-103218-01	N/A	N/A
14		Filter Rail (2)	N/A	N/A	10-103218-05	10-103218-05
15		Cover - Circuit Breaker	68-103316-01	68-103316-01	68-103316-01	68-103316-01
16		Coil Bracket - Left	See Coil Group			
17		Coil Bracket - Right	See Coil Group			
18		Drain Pan	See Coil Group			
19		Coil	See Coil Group			
36		Control Cover	N/A	N/A	AE-103328-01	AE-103328-01

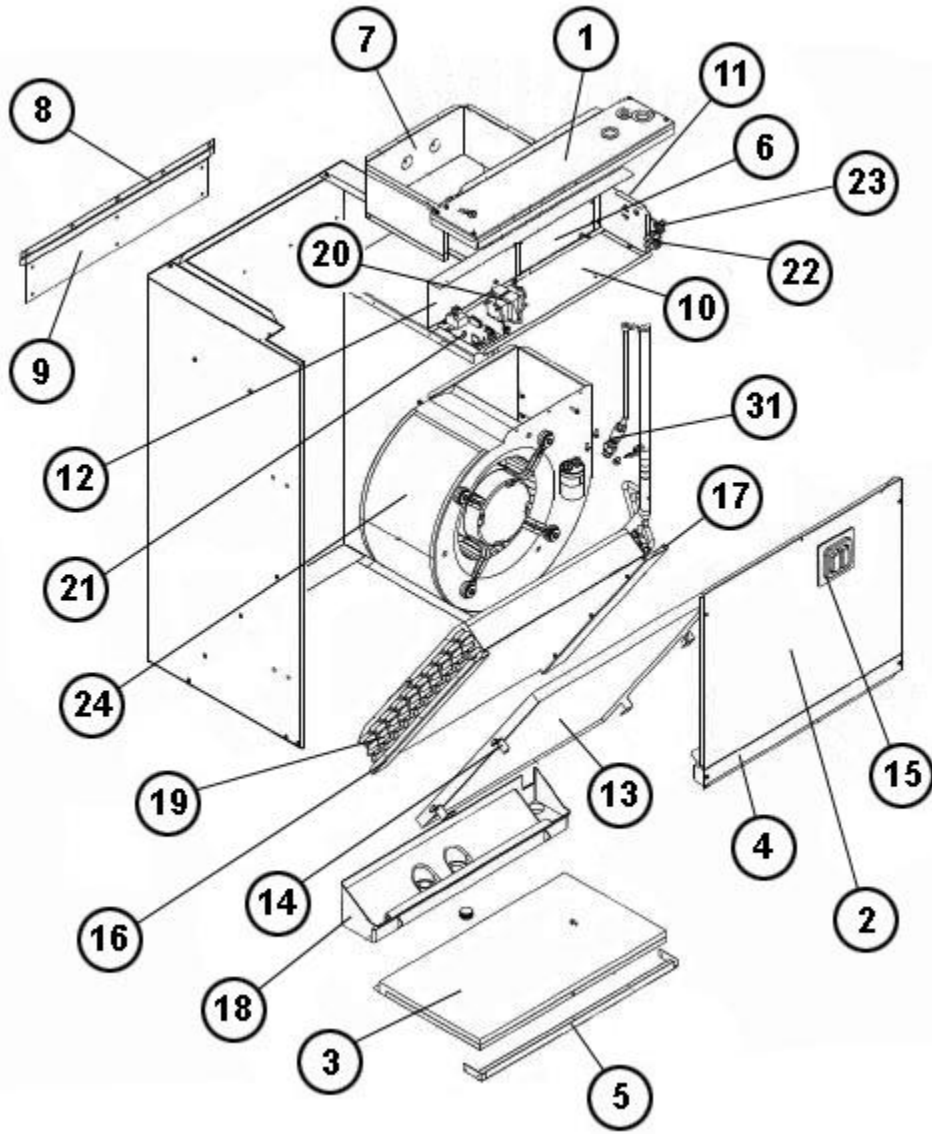
No.	Notes	MODEL NOMINAL CAPACITY CABINET WIDTH VOLTAGE	RF1P	RF1P	RF1P	RF1P
			18 21 J	24 21 J	30 24 J	36 24 J
<b>ELECTRICAL GROUP</b>						
20	Stk	Transformer	46-101905-01	46-101905-01	46-101905-01	46-101905-01
21	Stk	Control Board	47-102077-04	47-102077-04	47-102077-04	47-102077-04
22		Terminal Block	45-23222-02	45-23222-02	45-23222-02	45-23222-02
23		Grounding Lug	45-19000-01	45-19000-01	45-19000-01	45-19000-01
		Switch - Drain Pan Overflow Protection (Option 417)	42-103356-01	42-103356-01	42-103356-01	42-103356-01
		Wiring Harness - 5 Pin Connector to 5 Stripped Wires (For T-Stat)	45-102645-03	45-102645-03	45-102645-03	45-102645-03
		Wiring Harness - 2 Pin Connector to 2 Stripped Leads (Power Input to Terminal Block)	45-24371-57	45-24371-57	45-24371-57	45-24371-57
		Circuit Breaker	See Heater Kit Parts List			
		Wiring Harness - Circuit Breaker to 2 Pin Connector	See Heater Kit Parts List			
		Wiring Harness - 4 Pin Connector from Control Board to Heater	See Heater Kit Parts List			

No.	Notes	MODEL NOMINAL CAPACITY CABINET WIDTH VOLTAGE	RF1P	RF1P	RF1P	RF1P
			18 21 J	24 21 J	30 24 J	36 24 J
<b>BLOWER GROUP</b>						
24	Stk	Blower Assembly (Includes items listed below)	AS-103222-01	AS-103222-02	AS-103222-03	AS-103222-04
25		Blower Housing w/Wheel	70-103221-02	70-103221-02	70-103221-01	70-103221-01
	Stk	Blower Wheel	703022	703022	703021	703021
26		Motor Mount - Band	70-19927-04	70-19927-04	70-19927-04	70-19927-04
27		Motor Mount - Arm (4)	70-19929-10	70-19929-10	70-19929-11	70-19929-11
28	Stk	Blower Motor	51-104817-08	51-104817-09	51-102177-03	51-101728-04
29	Stk,2	Capacitor - Blower Motor	See Note 2	43-101666-43	43-101666-56	43-101666-43
30		Strap - Capacitor	AE-50892-12	AE-50892-12	AE-50892-12	AE-50892-12
32		Bolt	63-19919-01	63-19919-01	63-19919-01	63-19919-01
33		Locknut	63-17189-03	63-17189-03	63-17189-03	63-17189-03
34		Washer (4)	63-26198-02	63-26198-02	63-26198-02	63-26198-02
35		Screw (4)	63-101978-01	63-101978-01	63-101978-01	63-101978-01

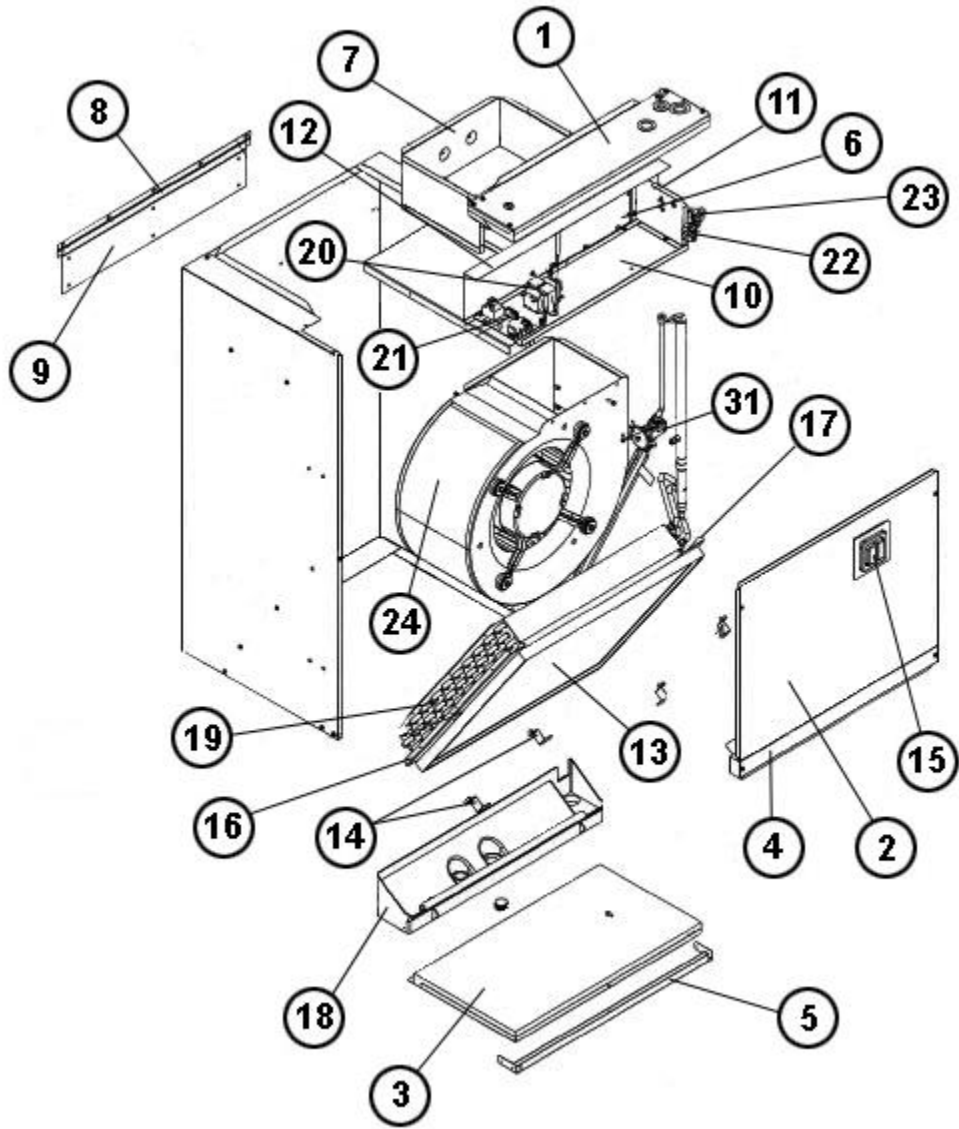
No.	Notes	MODEL	RF1P	RF1P	RF1P	RF1P
		NOMINAL CAPACITY	18	24	30	36
		CABINET WIDTH	21	21	24	24
		EFFICIENCY/METERING DEVICE	S/P	S/P	S/P	S/P
		VOLTAGE	J	J	J	J
<b>COIL GROUP</b>						
19		Coil	RCKM-P18A	RCKM-P24A	RCKM-P30A	RCKM-P36A
		Header - Coil	82-105029-01	82-105029-01	82-105029-02	82-105029-02
		Coil Seal	68-103682-03	68-103682-03	68-103682-04	68-103682-04
16		Coil Bracket - Left	10-103106-11	10-103106-11	10-103106-08	10-103106-08
17		Coil Bracket - Right	10-103106-12	10-103106-12	10-103106-09	10-103106-09
18	Stk	Drain Pan	68-103104-01	68-103104-01	68-103104-02	68-103104-02
31	Stk	Distributor/Piston Assembly	61-105403-47	61-105403-53	61-105403-61	61-105403-65
	Stk	Piston	61-22613-47	61-22613-53	61-22613-61	61-22613-65

No.	Notes	MODEL	RF1P	RF1P	RF1P	RF1P
		NOMINAL CAPACITY	18	24	30	36
		CABINET WIDTH	21	21	24	24
		EFFICIENCY/METERING DEVICE	S/T	S/T	S/T	S/T
		VOLTAGE	J	J	J	J
<b>COIL GROUP</b>						
19		Coil	RCKM-T24A	RCKM-T24A	RCKM-T36A	RCKM-T36A
		Header - Coil	82-105029-01	82-105029-01	82-105029-02	82-105029-02
		Coil Seal	68-103682-03	68-103682-03	68-103682-04	68-103682-04
16		Coil Bracket - Left	10-103106-11	10-103106-11	10-103106-08	10-103106-08
17		Coil Bracket - Right	10-103106-12	10-103106-12	10-103106-09	10-103106-09
18	Stk	Drain Pan	68-103104-01	68-103104-01	68-103104-02	68-103104-02
31	Stk	TXV - Expansion Valve	61-105430-01	61-105430-01	61-105430-02	61-105430-02
		Bulb Strap Kit - TXV	64-101357-01	64-101357-01	64-101357-01	64-101357-01

No.	Notes	MODEL	RF1P	RF1P	RF1P	RF1P
		NOMINAL CAPACITY	18	24	30	36
		CABINET WIDTH	21	21	24	24
		VOLTAGE	J	J	J	J
<b>HEATER KITS</b>						
		Heater Kit - 3kW/208-230/1	RXHJ-21B03J	RXHJ-21B03J	RXHJ-24B03J	RXHJ-24B03J
		Heater Kit - 5kW/208-230/1	RXHJ-21B05J	RXHJ-21B05J	RXHJ-24B05J	RXHJ-24B05J
		Heater Kit - 8kW/208-230/1	RXHJ-21B08J	RXHJ-21B08J	RXHJ-24B08J	RXHJ-24B08J
		Heater Kit - 10kW/208-230/1	N/A	RXHJ-21B10J	RXHJ-24B10J	RXHJ-24B10J

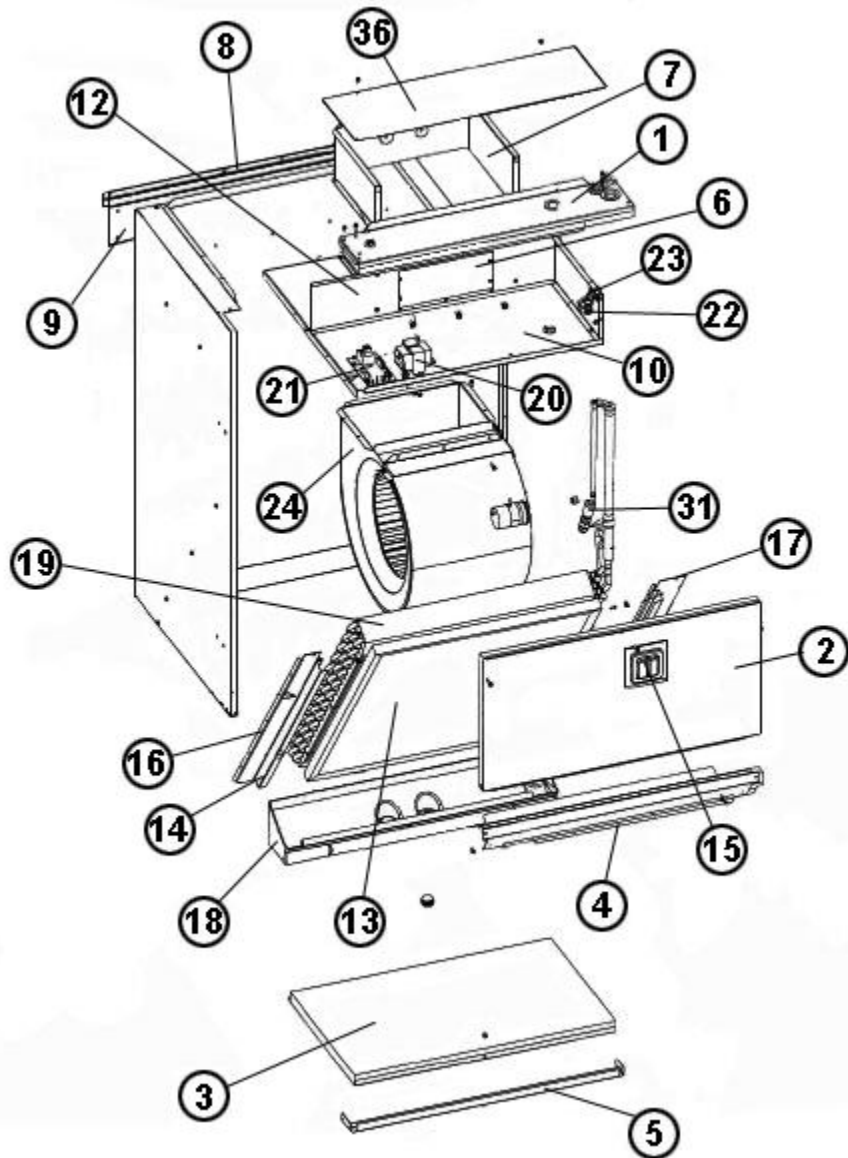


Exploded View 18SP-24SP

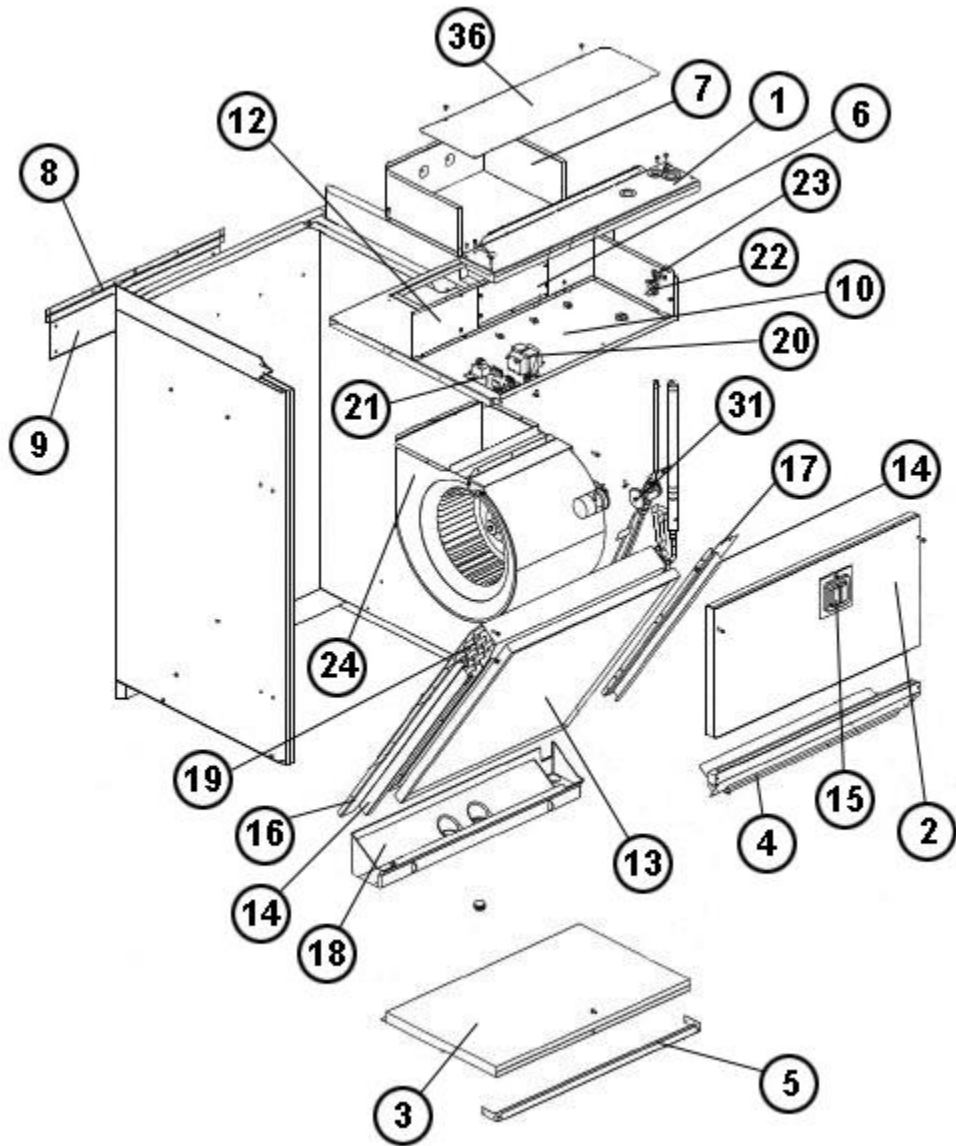


Exploded View 18ST-24ST

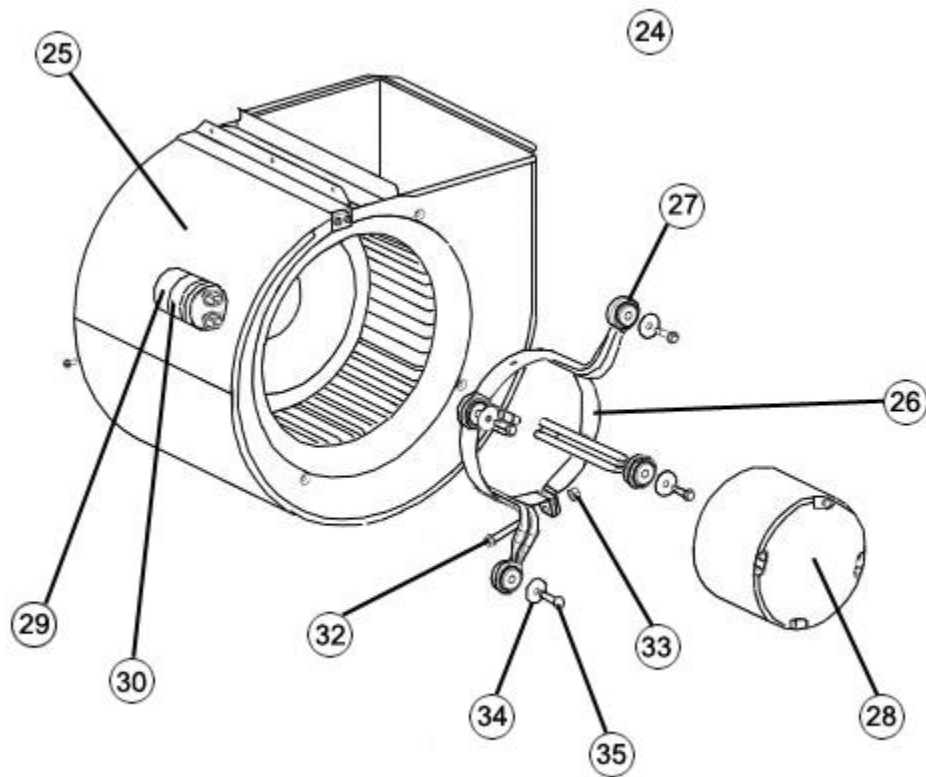




Exploded View 30SP-36SP



Exploded View 30ST-36ST



Blower Assembly

# NOTES

Stk It is recommended that stock be maintained for this part.

N/A Not Applicable

- 1 Panel is without insulation. Insulation must be ordered separately.
- 2 The capacitor must be determined by examining the motor rating label of the motor installed in the blower assembly. For motors requiring 7.5 uF, use 43-101666-42. For motors requiring 10 uF, use 43-101666-55.