

PRINTING INSTRUCTIONS: MAKE EXACTLY 6.0 IN X 7.50 IN. WHITE BACKGROUND WITH BLACK PRINTING

MATERIAL: ADS-4574-02, PRESSURE SENSITIVE, ADHESIVE BACKED VINYL

REV
I
S
I
O
N
S

01	UPDATED WIRING FOR 24VAC ALSO FOR P6. ADDED 240VAC AND 24VAC LABELS ON TRANSFORMER. ADDED (-)HMVZ TO DESCRIPTION.	MAB
02	UPDATED WIRINGS TO SHOW UPDATED OPTIONS AND COMPONENT CODES.	DSL

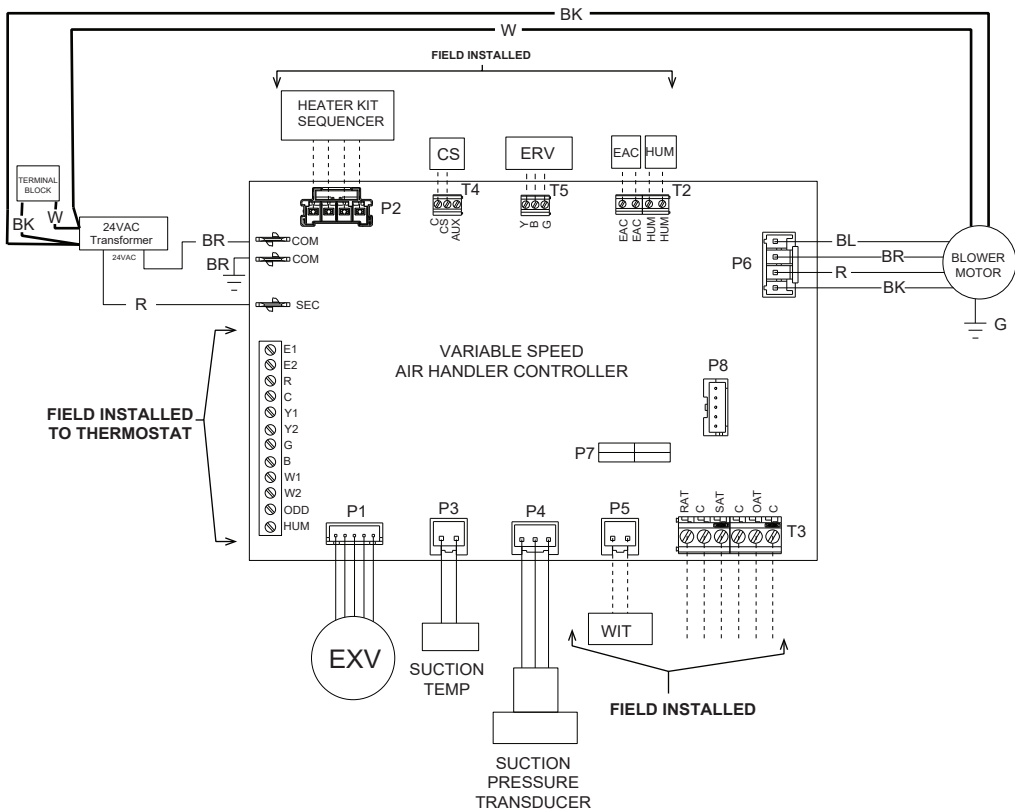
105309
4/7/2022

109029
12/13/2022

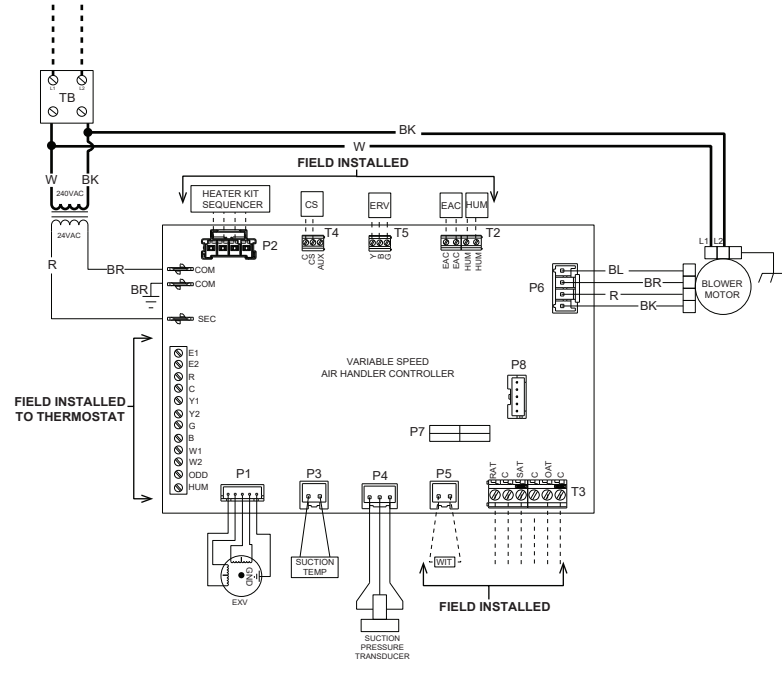
NO REVISION TO DESIGN, MATERIAL, TOOLING, OR PROCESS IS ACCEPTABLE WITHOUT PRIOR APPROVAL FROM RHEEM THROUGH AN AUTHORIZED CHANGE NOTICE. A REVISED ENGINEERING SPECIFICATION AND A RESAMPLING OF PARTS. THE SUPPLIER IS RESPONSIBLE FOR NOTIFYING RHEEM R & D AND PURCHASING DEPARTMENTS IN WRITING OF ANY CHANGES AFFECTING PRODUCT QUALITY, PERFORMANCE, RELIABILITY, PACKAGING, DELIVERY OR WORKMANSHIP. ANY DOCUMENTS REFERRED TO ON THIS DRAWING ARE INCLUDED IN THE SPECIFICATIONS FOR THIS COMPONENT.

NOTE: THE DOTTED BOX NEAR THE DRAWING NUMBER REPRESENTS A .25 X .25 2D DATA MATRIX. SEE ADS-104689-01 FOR DATA MATRIX SPECS.

WIRING DIAGRAM



SCHEMATIC DIAGRAM



WIRING INFORMATION

LINE VOLTAGE _____
 -FACTORY STANDARD _____
 -FACTORY OPTION - - - - -
 -FIELD INSTALLED - - - - -

LOW VOLTAGE _____
 -FACTORY STANDARD - - - - -
 -FIELD INSTALLED - - - - -

REPLACEMENT WIRE
 -MUST BE THE SAME SIZE AND TYPE OF INSULATION AS ORIGINAL (105C, MIN.)

WARNING
 -CABINET MUST BE PERMANENTLY GROUNDED AND CONFORM TO I.E.C., N.E.C., C.E.C., NATIONAL WIRING REGULATIONS, AND LOCAL CODES AS APPLICABLE.

NOTES

1. CONNECT SUPPLY WIRING FOR VOLTAGE, PHASE AND HERTZ SHOWN ON RATING PLATE.
2. SUPPLY WIRE MUST BE RATED AT 75°C MIN. SEE INSTRUCTIONS FOR SIZE.
3. CT FACTORY WIRED FOR 240V. MOVE WIRES FROM 240V TO 208V FOR 208V OPERATION.
4. FOR USE WITH COPPER CONDUCTORS ONLY.
5. WHEN USING 13KW AND HIGHER IT IS RECOMMENDED TO JUMP W1 AN W2 TOGETHER FOR MAXIMUM TEMPERATURE RISE.
6. EXV, VAPOR LINE PRESSURE TRANSDUCER, AND VAPOR LINE THERMISTOR ARE NOT PRESENT ON MODELS EQUIPPED WITH A MECHANICAL THERMAL EXPANSION VALVE (TXV).

COMPONENT CODES

AUX	AUXILIARY
B	REVERSING VALVE SIGNAL
C	24VAC COMMON
CS	CONDENSATE SWITCH/FLOAT SWITCH
E1	COMMUNICATION POS.
E2	COMMUNICATION REF.
EAC	ELECTRONIC AIR CLEANER
ERV	ENERGY RECOVERY VENTILATOR
EXV	ELECTRONIC EXPANSION VALVE
G	1ST STAGE OR FAN ONLY
HUM	HUMIDIFICATION
IBM	INDOOR BLOWER MOTOR
OAT	OUTDOOR AIR TEMP
ODD	ON DEMAND DEHUMIDIFICATION
OST	VAPOR LINE THERMISTOR CONN
R	24VAC REFERENCE
RAT	RETURN AIR TEMP
SAT	SUPPLY AIR TEMP
SEC	24 VAC
TB	TERMINAL BLOCK
W1	LOW STAGE HEATING
W2	HIGH STAGE HEATING
WIT	WATER INLET TEMP.
Y	24VAC OUTPUT
Y1	LOW STAGE COOLING
Y2	HIGH STAGE COOLING

WIRE COLOR CODE

BK.....BLACK	G.....GREEN	PR.....PURPLE
BR.....BROWN	GY.....GRAY	R.....RED
BL.....BLUE	O.....ORANGE	W.....WHITE
PK.....PINK	Y.....YELLOW	

ELECTRICAL WIRING DIAGRAM

CONSTANT CFM AIR HANDLER CONTROL AND HARNESS

APPROVED:	CHECKED:	ORIGINAL RELEASE NO.:
MODED BY: DSL	DATE: 12/13/2022	104044
PART NO.: 90-109048-01		REV: 02