



CONFIDENTIAL

Multi Air Conditioner

SVC MANUAL(Exploded View)

Type: Ceiling Concealed Duct

**MODEL : AMNW24GM1A0 [LHN248HV]
AMNW36GM2A0 [LHN368HV]**

CAUTION

Before Servicing the unit, read the safety precautions in General SVC manual.
Only for authorized service personnel.

Any reproduction, duplication, distribution (including by way of email, facsimile or other electronic means), publication, modification, copying or transmission of this Service Manual is STRICTLY PROHIBITED unless you have obtained the prior written consent of the LG Electronics entity from which you received this Service Manual. The material covered by this prohibition includes, without limitation, any text, graphics or logos in this Service Manual.

Copyright © 2019 LG Electronics Inc. All rights reserved. Only training and service purposes.

1. Specification

Indoor

Model Name				AMNW24GM1A0 [LHN248HV]	AMNW36GM2A0 [LHN368HV]	
Power Supply			V, Ø, Hz	208/230, 1, 60	208/230, 1, 60	
Capacity			Btu/h class	24 000	36 000	
Dimensions	Body	W x H x D	mm	900 x 270 x 700	1 250 x 270 x 700	
		W x H x D	inch	35-7/16 x 10-5/8 x 27-9/16	49-3/16 x 10-5/8 x 27-9/16	
Net Weight		Body	kg (lbs)	26.6 (58.6)	38.7 (85.3)	
Heat Exchanger	(Row x Column x Fins per inch) x No.		-	(3 x 13 x 18) x 1	(3 x 13 x 18) x 1	
	Face Area		m ² (ft ²)	0.21 (2.25)	0.26 (2.82)	
Fan	Type		-	Sirocco Fan	Sirocco Fan	
	Air Flow Rate	High-static Mode (Factory Set)	H / M / L	m ³ /min	22.0 / 20.0 / 18.0	32.0 / 28.0 / 24.0
			H / M / L	ft ³ /min	777 / 706 / 636	1 130 / 989 / 848
			External Static Pressure	Pa (mmAq)	58.8 (6)	58.8 (6)
Fan Motor	Type		-	BLDC	BLDC	
	Output		W x No.	136.5 x 1	350 x 1	
Sound Pressure Level		H / M / L	dB(A)	37 / 35 / 34	44 / 42 / 40	
Piping Connections	Liquid		mm(inch)	φ 9.52 (3/8)	φ 9.52 (3/8)	
	Gas		mm(inch)	φ 15.88 (5/8)	φ 15.88 (5/8)	
	Drain (O.D. / I.D.)		mm(inch)	φ 32.0(1-1/4) / 26.0(1-1/32)	φ 32.0(1-1/4) / 26.0(1-1/32)	
Safety Devices			-	Fuse	Fuse	
Power and Communication Cable (included Earth)			No. x mm ² (AWG)	4C x 0.75 (18)	4C x 0.75 (18)	

Note:

1. Wiring cable size must comply with the applicable local and national code.
2. Due to our policy of innovation some specifications may be changed without notification.
3. Sound Level Values are measured at Anechoic chamber.
Therefore, these values can be increased(maximum 3dB(A)) owing to ambient conditions during operation.

Conversion Formula
kW = Btu/h x 0.0002931
cfm = CMM x 35.3

2. Function Table

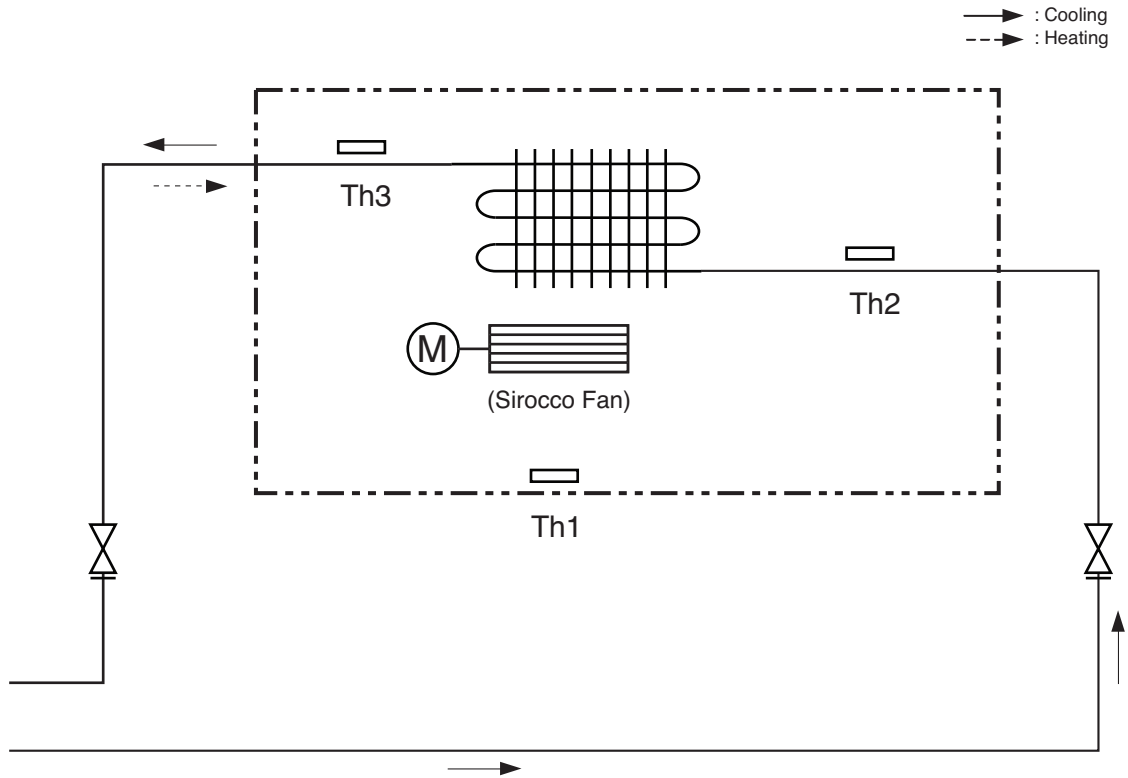
Category	Functions	AMNW24GM1A0 / AMNW36GM2A0
Air flow	Air supply outlet	1
	Airflow direction control (left & right)	X
	Airflow direction control (up & down)	X
	Auto swing (left & right)	X
	Auto swing (up & down)	X
	Airflow steps (fan/cool/heat)	3 / 3 / 3
	Chaos wind(auto wind)	X
	Jet cool/heat	X / X
	Swirl wind*	X
Air purifying	Triple filter	X
	Plasma air purifier	X
	Allergy Safe filter	X
	Long-life prefilter (washable / anti-fungus)	O
Installation	Drain pump	O
	E.S.P. control*	O
	Electric heater	X
	High ceiling operation*	X
Reliability	Hot start	O
	Self diagnosis	O
Convenience	Auto changeover**	O (Single Only)
	Auto cleaning	X
	Auto operation(artificial intelligence)**	O (Multi Only)
	Auto Restart	O
	Child lock*	O
	Forced operation	X
	Group control*	O
	Sleep mode	O
	Timer(on/off)	O
	Timer(weekly)*	O
	Two thermistor control*	O
Auto Elevation Grille*	X	
Network Solution(LGAP)		O

Notes:

- O : Applied, X : Not applied
Accessory model name : Installed at field, ordered and purchased separately by the corresponding model name, supplied with separate package.
- * : These functions need to connect the wired remote controller.
- ** :Auto Changeover function, Telecom shelter controller can be operated when connected with Single A.
Auto Operation function can be operated whne connected with Mutli F/FDX.
4. For synchro operation, some functions and accessories are not available. Check the outdoor unit's PDB.

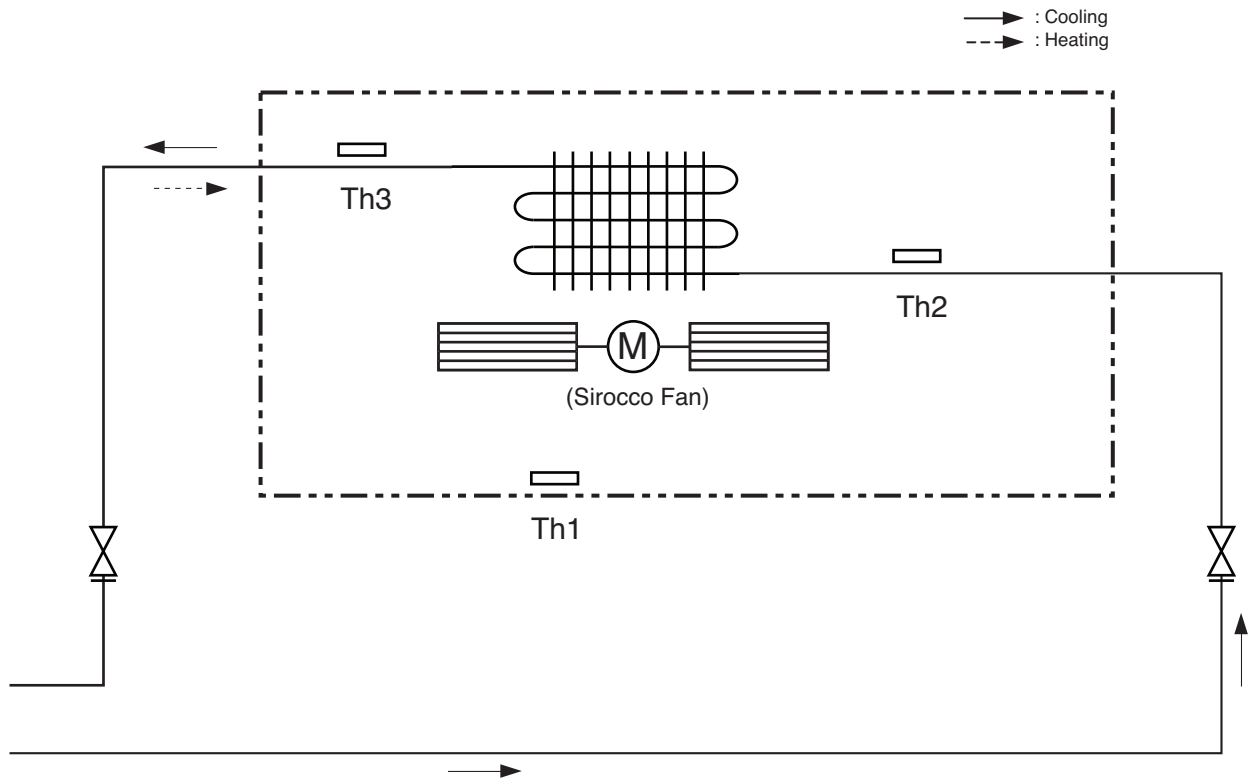
3. Piping Diagrams

Model : AMNW24GM1A0 [LHN248HV]



LOC.	Description	PCB Connector
Th1	Thermistor for Indoor air temperature	CN_ROOM
Th2	Thermistor for Evaporator in temperature	CN_PIPE_IN
Th3	Thermistor for Evaporator out temperature	CN_PIPE_OUT

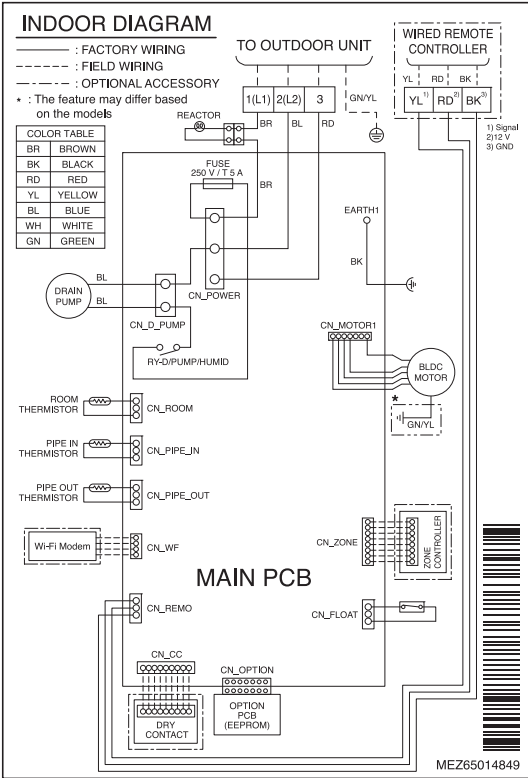
Model : AMNW36GM2A0 [LHN368HV]



LOC.	Description	PCB Connector
Th1	Thermistor for Indoor air temperature	CN_ROOM
Th2	Thermistor for Evaporator in temperature	CN_PIPE_IN
Th3	Thermistor for Evaporator out temperature	CN_PIPE_OUT

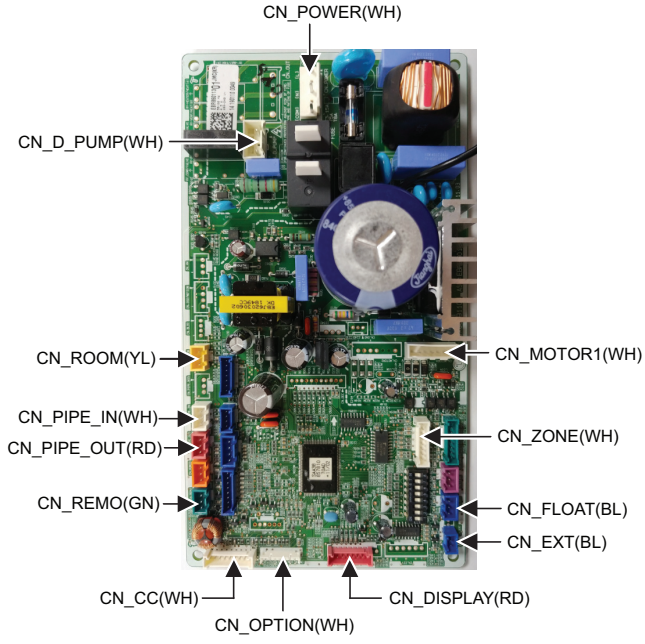
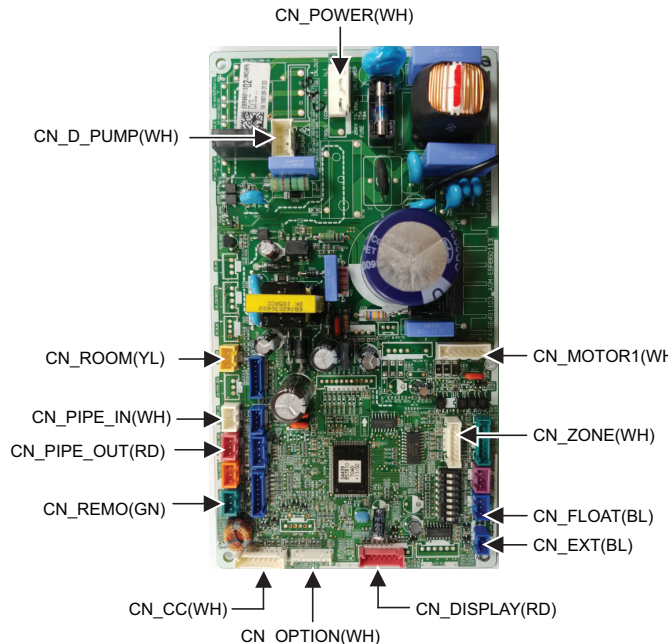
4. Wiring Diagrams

M1, M2 Chassis



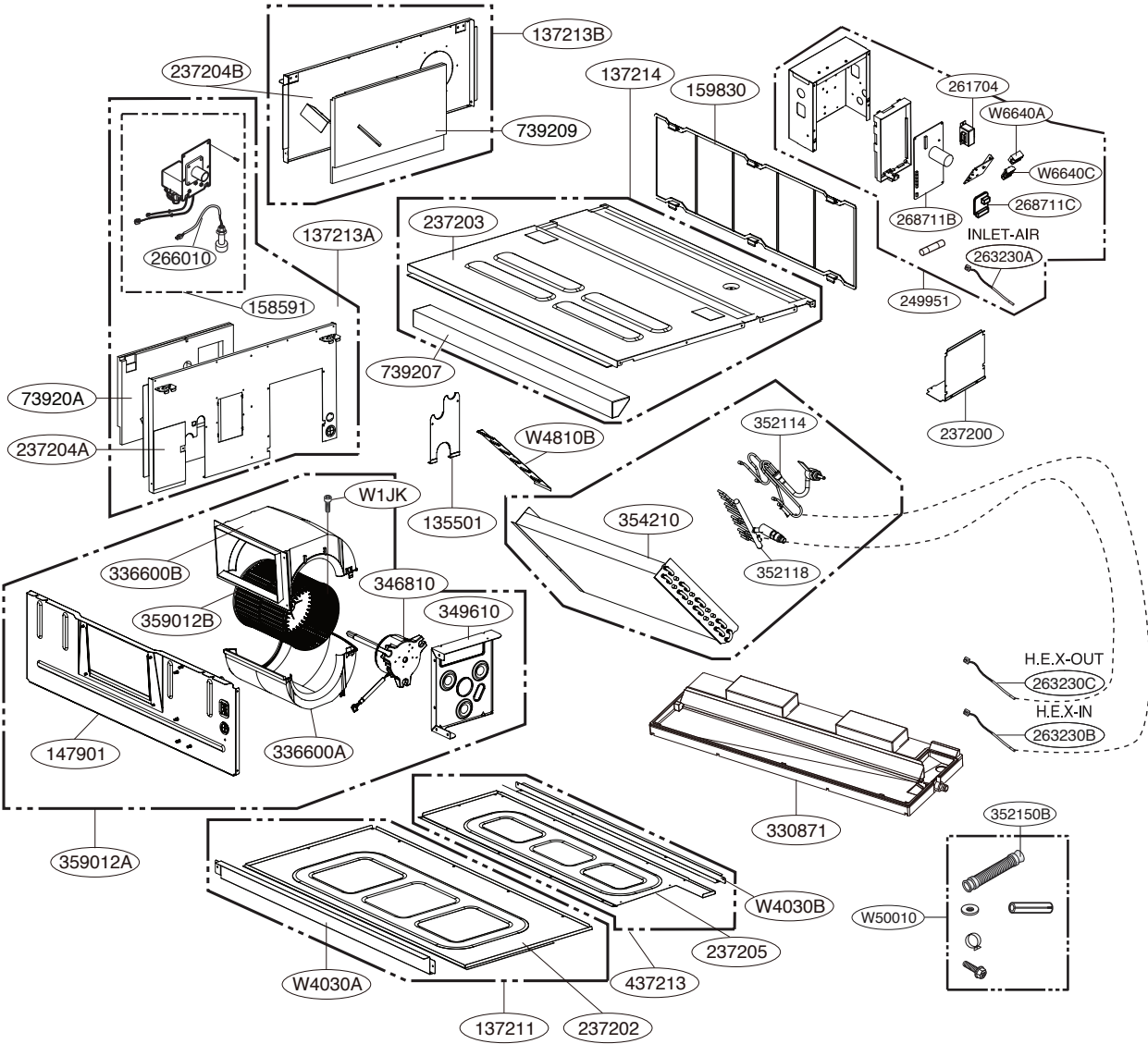
M1 Chassis

M2 Chassis



5. Exploded View

M1 Chassis



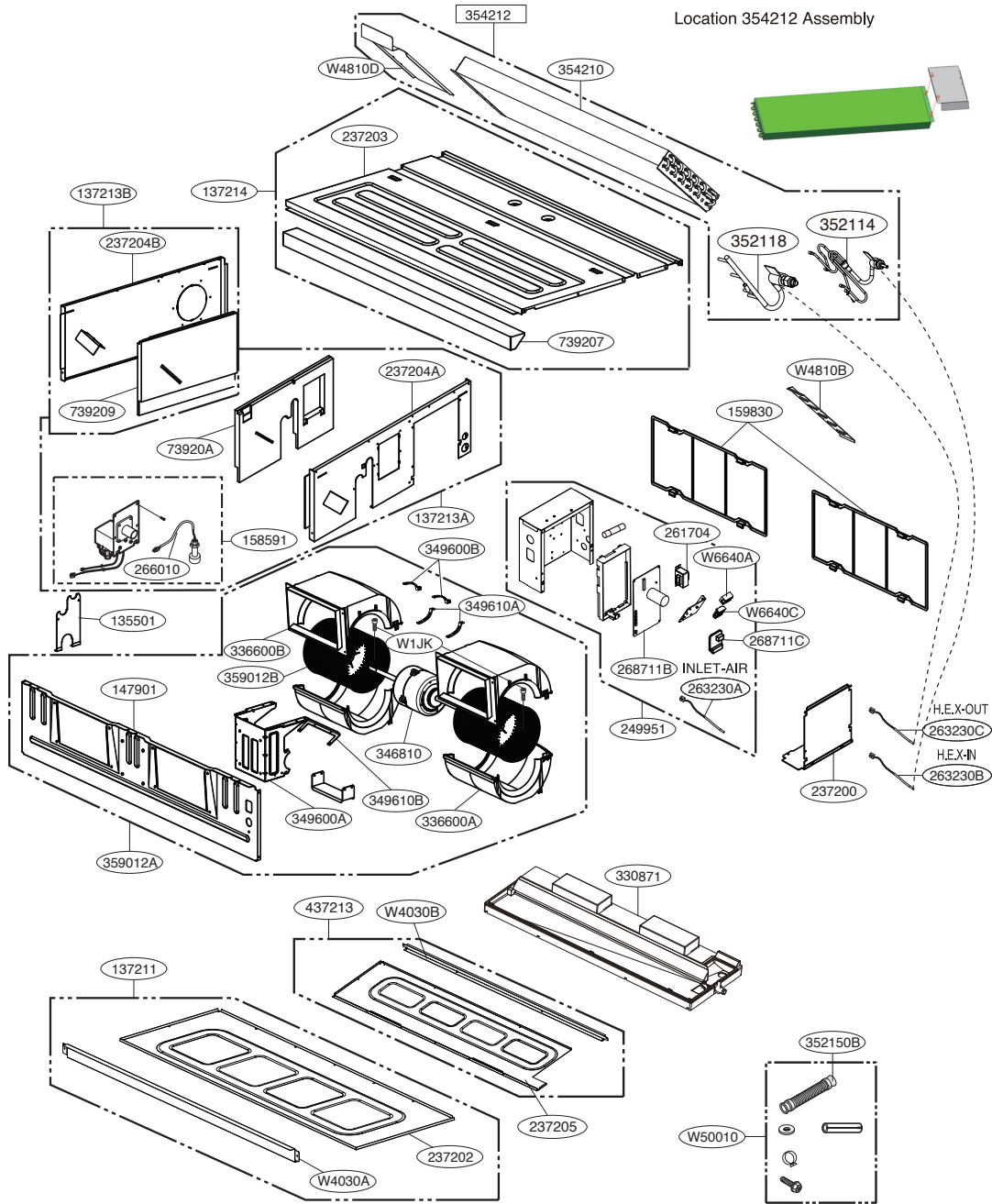
Location No.	Description	Sensor Information	Housing Color
263230A	Thermistor1(CN_ROOM)	Air-Inlet	Yellow
263230B	Thermistor2(CN_PIPE/IN)	Heat Exchanger In	White
263230C	Thermistor3(CN_PIPE/OUT)	Heat Exchanger Out	Red

M2 Chassis

Location 354212 Required parts

Description	L/No.	Q'ty
Evaporator Assembly,First	354210	1
Bracket	W4810D	1

Location 354212 Assembly



Location No.	Description	Sensor Information	Housing Color
263230A	Thermistor1(CN_ROOM)	Air-Inlet	Yellow
263230B	Thermistor2(CN_PIPE/IN)	Heat Exchanger In	White
263230C	Thermistor3(CN_PIPE/OUT)	Heat Exchanger Out	Red



P/NO : MFL71484301