



Internal Use Only

<http://biz.lgservice.com>

Room Air Conditioner

SVC MANUAL(Exploded View)

**MODEL : AS-W183CSA5
AS-W243CSA5**

CAUTION

Before Servicing the unit, read the safety precautions in General SVC manual.
Only for authorized service personnel.

Product Specifications

Buyer Model (Indoor Unit / Outdoor unit)		Unit	LS-180HEV1 (LSN180HEV1 / LSU180HEV1)	LS-240HEV1 (LSN240HEV1 / LSU240HEV1)	
Factory Model (Indoor Unit / Outdoor unit)			AS-W183CSA5 (ASNW183CSA5 / ASUW183CSA5)	AS-W243CSA5 (ASNW243CSA5 / ASUW243CSA5)	
Cooling Capacity (Min ~ Rated ~ Max)		kW	1.08 ~ 4.98 ~ 5.42	1.08 ~ 6.45 ~ 7.03	
		Btu/h	3,685~17,000~18,493	3,685 ~ 22,000 ~ 24,000	
Heating Capacity (Min ~ Rated ~ Max)		kW	1.08 ~ 5.57 ~ 6.74	1.08 ~ 6.45 ~ 7.10	
		Btu/h	3,685~19,000~22,997	3,685 ~ 22,000 ~ 24,226	
Maximum Heating Capacity	Outdoor 17°F (Indoor 70°F)	Btu/h	15,580 (82%)	18,040 (82%)	
	Outdoor 5°F (Indoor 70°F)	Btu/h	-	-	
	Outdoor -4°F (Indoor 70°F)	Btu/h	-	-	
Power Input	Cooling / Heating	W	1550 / 1590	2045 / 1935	
Running Current	Cooling / Heating	A	7.1 / 7.2	9.1 / 8.7	
Starting Current	Cooling / Heating	A	7.1 / 7.2	9.1 / 8.7	
EER		-	10.97	10.76	
SEER		-	18.0	17	
COP		-	11.95	11.37	
HSPF (IV / V) ^{a)}		-	9.0 / 7.8	9.0 / 7.8	
Power Supply		Ø / V / Hz	1 / 208-230 / 60	1 / 208-230 / 60	
Power Factor		%	94.9	97.7	
Air Flow Rate	Indoor,Max/H/M/L	CFM (m ³ /min)	629(18) / 512(14) / 441(12) / 353(10)	689 (20) / 600 (17) / 494 (14) / 388 (11)	
	Outdoor,Max	CFM (m ³ /min)	1342(38)	1,766 (50)	
Moisture Removal		pts/h (l/h)	3.39 (1.6)	4.88 (2.3)	
Sound Level	Indoor,H/M/L/SL (Cooling)	dB(A)+3	42 / 40 / 35 / 29	45 / 40 / 35 / 29	
	Indoor,H/M/L (Heating)	dB(A)+3	42 / 40 / 35	45 / 40 / 35	
	Outdoor,Max	dB(A)+3	51	53	
Compressor	Type	-	Twin Rotary	Twin Rotary	
	Model	-	GKT141MBA	GKT176MFA	
	Motor Type	-	Brushless DC Motor	Brushless DC Motor	
	Oil Type	-	PVE (FVC68D)	PVE (FVC68D)	
	Oil Charge	cc	470	470	
	O.L.P. name	-	-	-	
Fan(Indoor)	Type	-	Cross Flow Fan	Cross Flow Fan	
	Motor Output	W	30	30	
Fan(Outdoor)	Type	-	Propeller Fan	Propeller Fan	
	Motor Type	-	BLDC	BLDC	
Circuit Breaker*	Motor Output	W	43	85	
		A	20	20	
Power Supply Cable		No. x AWG	3 x 14	3 x 14	
Power and Transmission Cable		No. x AWG	4 x 18	4 x 18	
Piping Connections	Liquid Side	in (mm)	Ø 1/4 (6.35)	Ø 1/4 (6.35)	
	Gas Side	in (mm)	Ø 1/2 (12.7)	Ø 5/8 (15.88)	
Drain Hose(O.D. , I.D.)		in (mm)	27/32, 5/8 (21.5, 16.0)	27/32, 5/8 (21.5, 16.0)	
Dimensions	Indoor (W x H x D)	mm	1,030 x 325 x 250	1030 x 325 x 250	
		inch	40-9/16 x 12-13/16 x 9-13/16	40-9/16 x 12-13/16 x 9-13/16	
	Outdoor (W x H x D)	mm	770 x 545 x 288	870 x 655 x 320	
		inch	30-5/16 x 21-1/2 x 11-5/16	34-1/4 x 25-13/16 x 12-19/32	
Net Weight	Indoor	lbs (kg)	27.3 (12.4)	27.8 (12.6)	
	Outdoor	lbs (kg)	75.4 (34.2)	94.6 (42.9)	
Gross Weight	Indoor	lbs (kg)	32.2 (14.6)	33.1 (15)	
	Outdoor	lbs (kg)	80.4 (36.5)	103.6 (47)	
Operation Range	Cooling (Outdoor)	°F(°C) DB	14 ~ 118 (-10 ~ 48)	14 ~ 118 (-10 ~ 48)	
	Heating (Outdoor)	°F(°C) WB	14 ~ 65 (-10 ~ 18.3)	14 ~ 65 (-10 ~ 18.3)	
Refrigerant & Charge		oz (g)	R410A / 37.4 (1,060)	R410A / 42.3 (1200)	
Additional Refrigerant Charge		oz/ft (g/m)	0.33 (30)	0.33 (30)	
Piping Length (Min/Max)		ft (m)	9.8 (3) / 65.6 (20)	9.8 (3) / 65.6 (20)	
Chargeless		ft (m)	24.6 (7.5)	24.6 (7.5)	
Max. Elevation Difference		ft (m)	32.8 (10)	32.8 (10)	
Tool Code(Chassis)	Indoor + Outdoor		SC + UL2	SC + UE	
Functions	Temperature Control		Thermistor	Thermistor	
	Allergy Safe Filter		-	-	
	Plasma Filter		-	-	
	Prefilter (Washable/Anti-fungus)		0	0	
	3M Micro Protection filter		-	-	
	Auto Clean		0	0	
	Natural Wind (Auto Wind)		0	0	
	Steps, Fan/Cool/Heat		4 / 4 / 4	4 / 4 / 4	
	Airflow Direction Control(Up& Down)		Auto	Auto	
	Airflow Direction Control(Left & Right)		Manual	Manual	
	Remote Controller Type		Wireless LCD	Wireless Remote Controller	
	Setting Temperature Range	Cooling[°F (°C)]		64~86 (18~30)	64~86 (18~30)
		Heating[°F (°C)]		60~86 (16~30)	60~86 (16~30)
	Auto Operation (Micom Control)		0	0	
	Auto Changeover (Micom Control)		0	0	
	Self Diagnosis		0	0	
	Timer		24h, On/Off	24h, On/Off	
	Sleep Operation		0	0	
	Soft Dry Operation		0	0	
	Restart Delay (Minute)		3	3	
	Deice Control (Defrost)		0	0	
	Hot Start		0	0	
	Jet Cool / Jet Heat		0	0	
	Low Ambient Operation		0	0	
	Special Function		Water Level sensor	Water Level sensor	

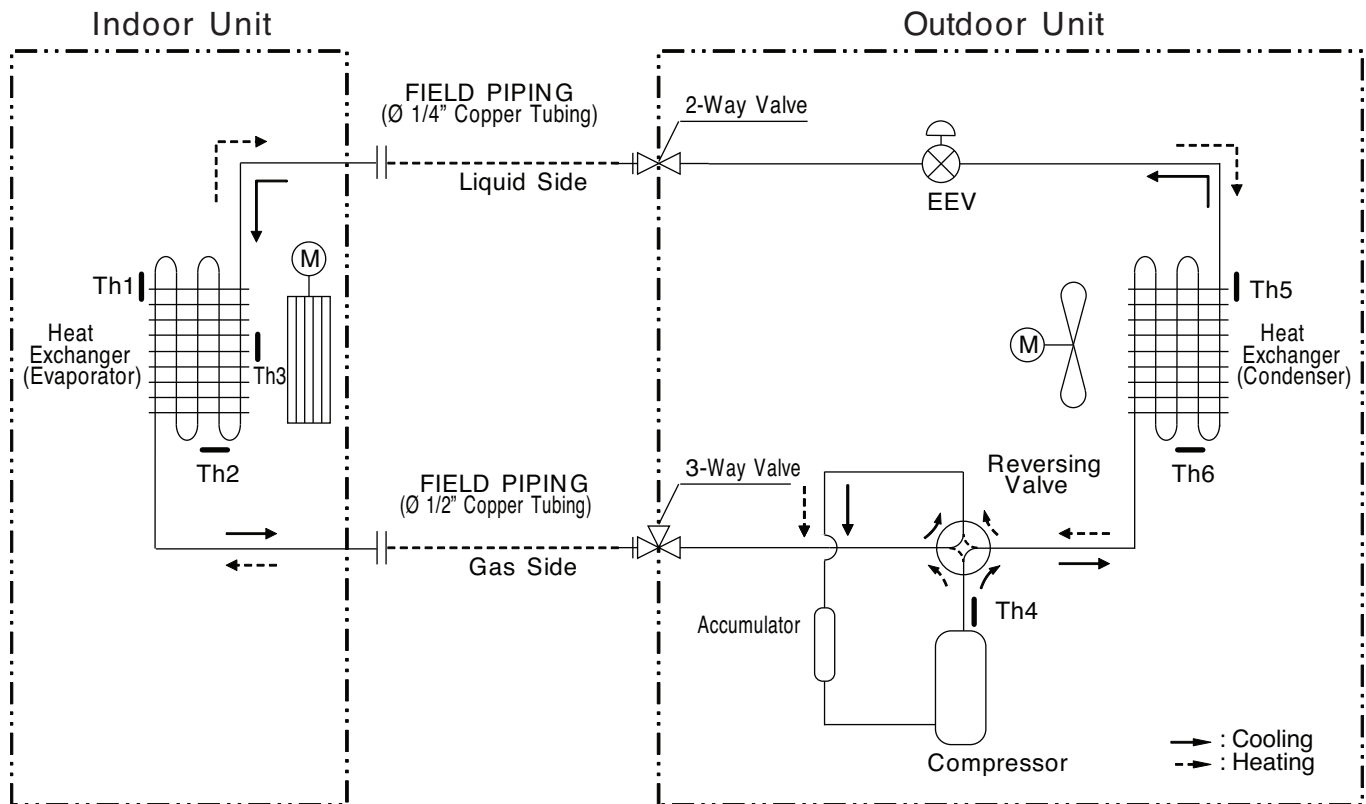
Note : 0 : Applied, - : No relation

- Filters are optional in some specific areas.
- For Circuit Breaker Rating, please conform to local standards whenever necessary.

- a) HSPF Region V = HSPF Region IV / 1.15
- HSPF IV values comply with US standard.
- HSPF V values comply with Canada standard.

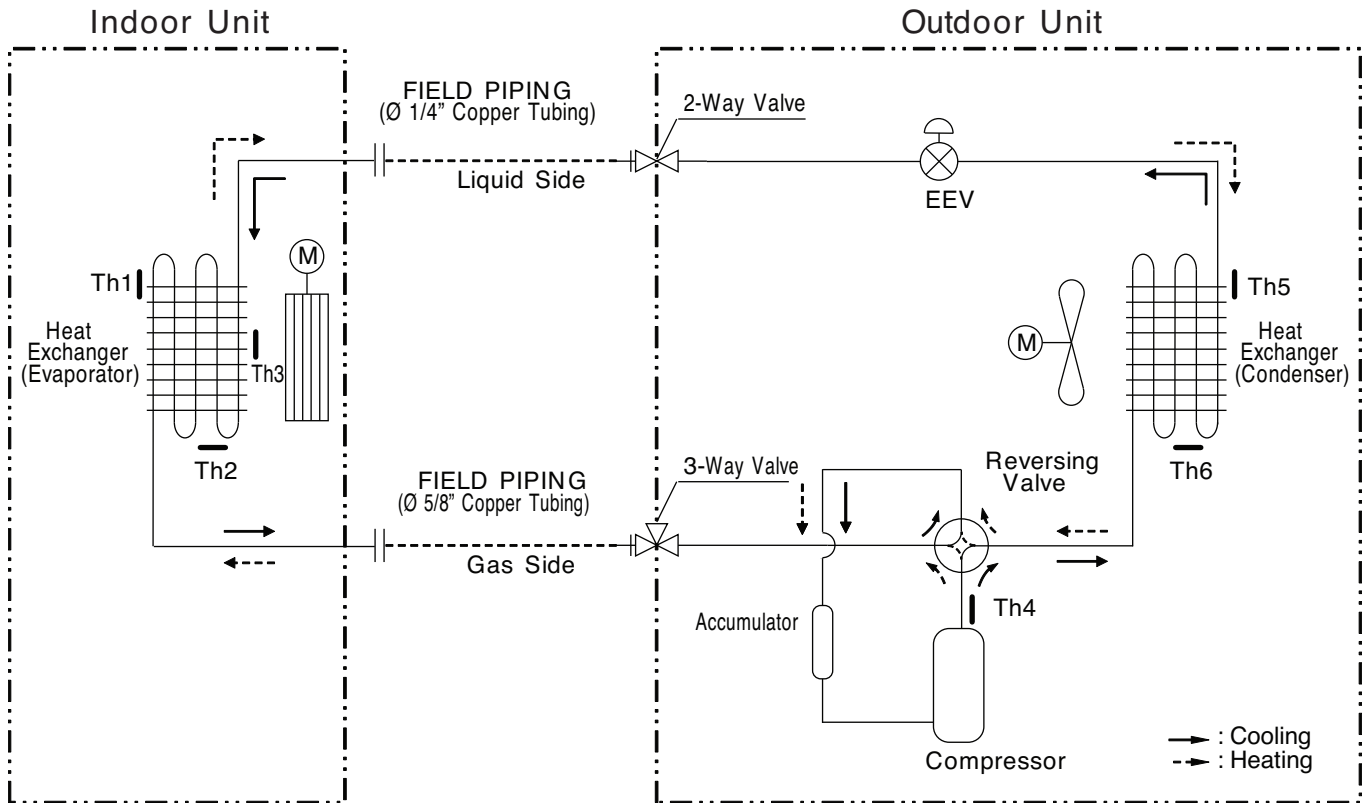
Piping Diagrams

Model : AS-W183CSA5



LOC	Description	PCB Connector
Th1	Thermistor for indoor air temperature	CH-TH1(INDOOR)
Th2	Water level sensor (Option)	CH-TH2(INDOOR)
Th3	Thermistor for evaporator middle temperature	CH-TH3(INDOOR)
Th4	Thermistor for discharge pipe temperature	CN-TH2(OUTDOOR)
Th5	Thermistor for outdoor air temperature	CN-TH1(OUTDOOR)
Th6	Thermistor for condensing temperature	

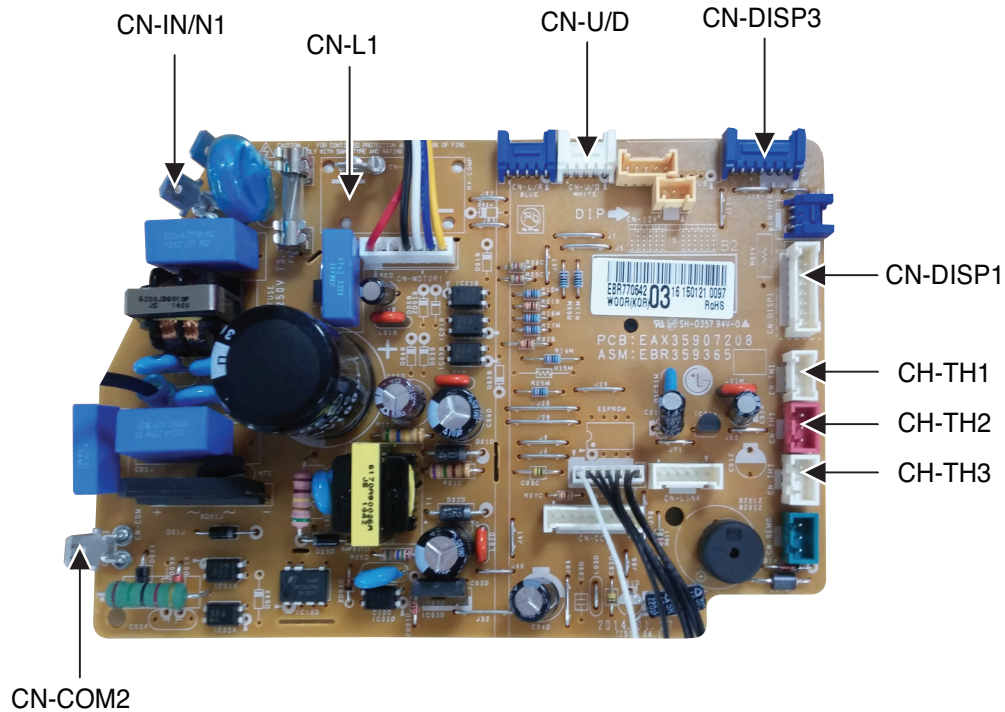
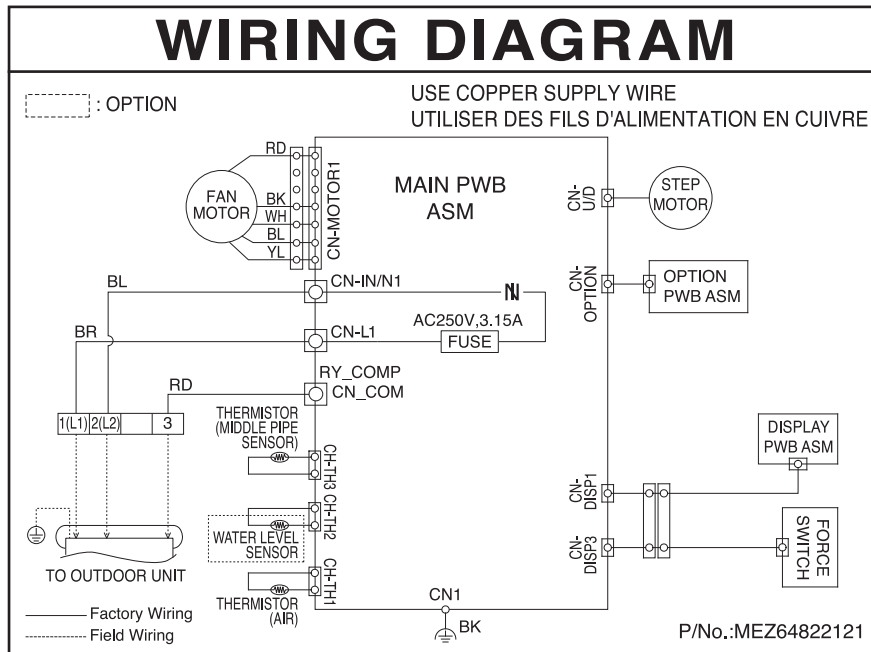
Model : AS-W243CSA5



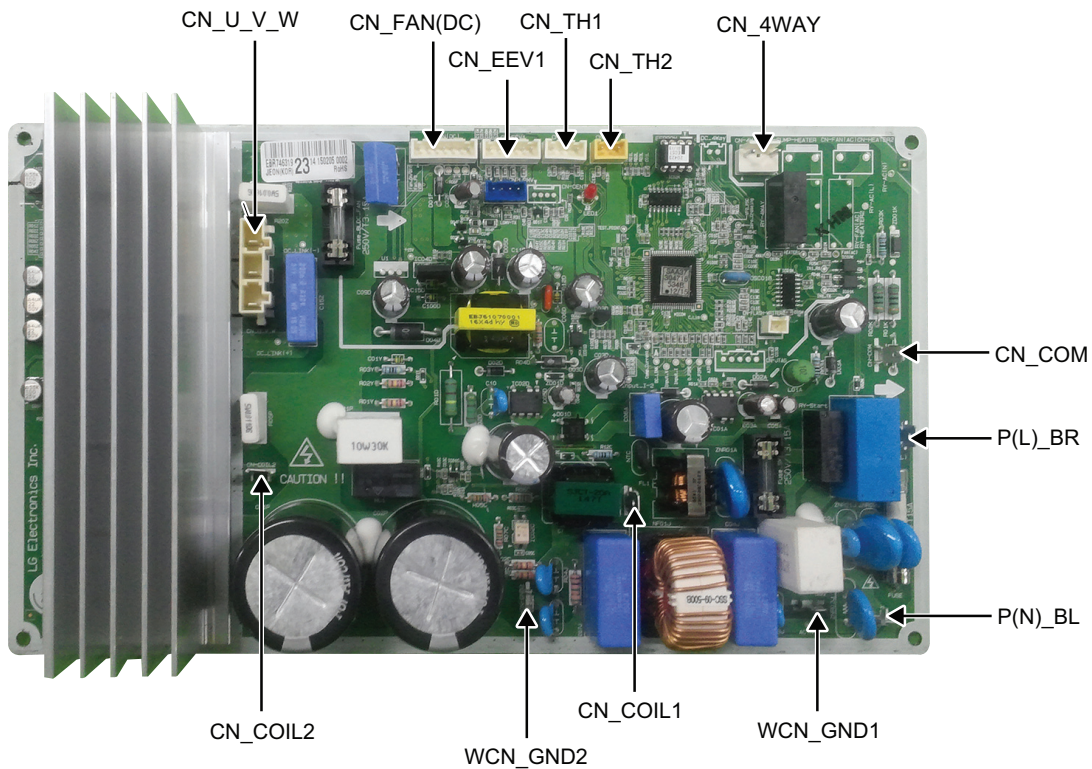
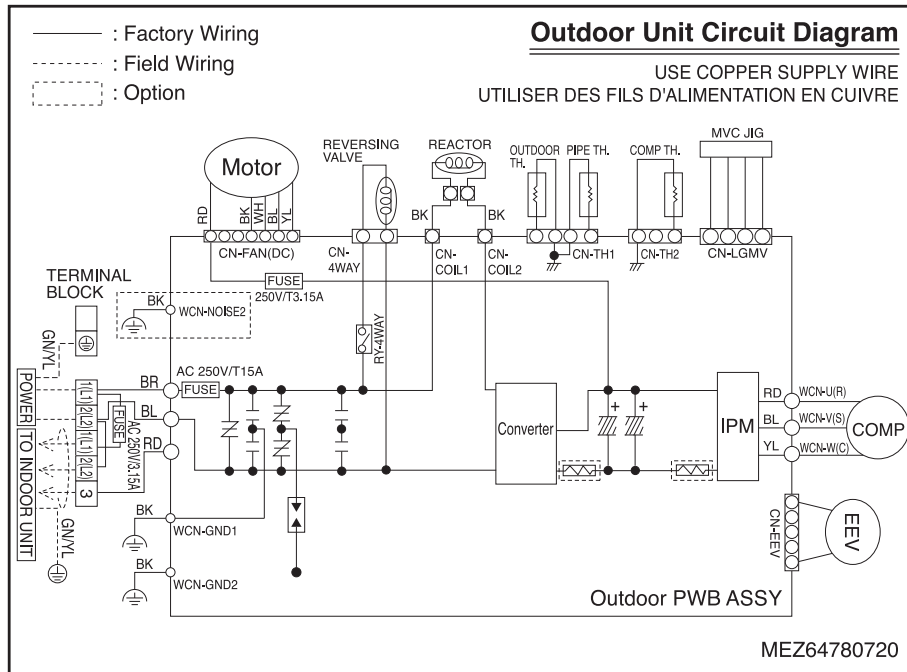
LOC	Description	PCB Connector
Th1	Thermistor for indoor air temperature	CH-TH1(INDOOR)
Th2	Water level sensor (Option)	CH-TH2(INDOOR)
Th3	Thermistor for evaporator middle temperature	CH-TH3(INDOOR)
Th4	Thermistor for discharge pipe temperature	CN-TH2(OUTDOOR)
Th5	Thermistor for outdoor air temperature	CN-TH1(OUTDOOR)
Th6	Thermistor for condensing temperature	

Wiring Diagrams

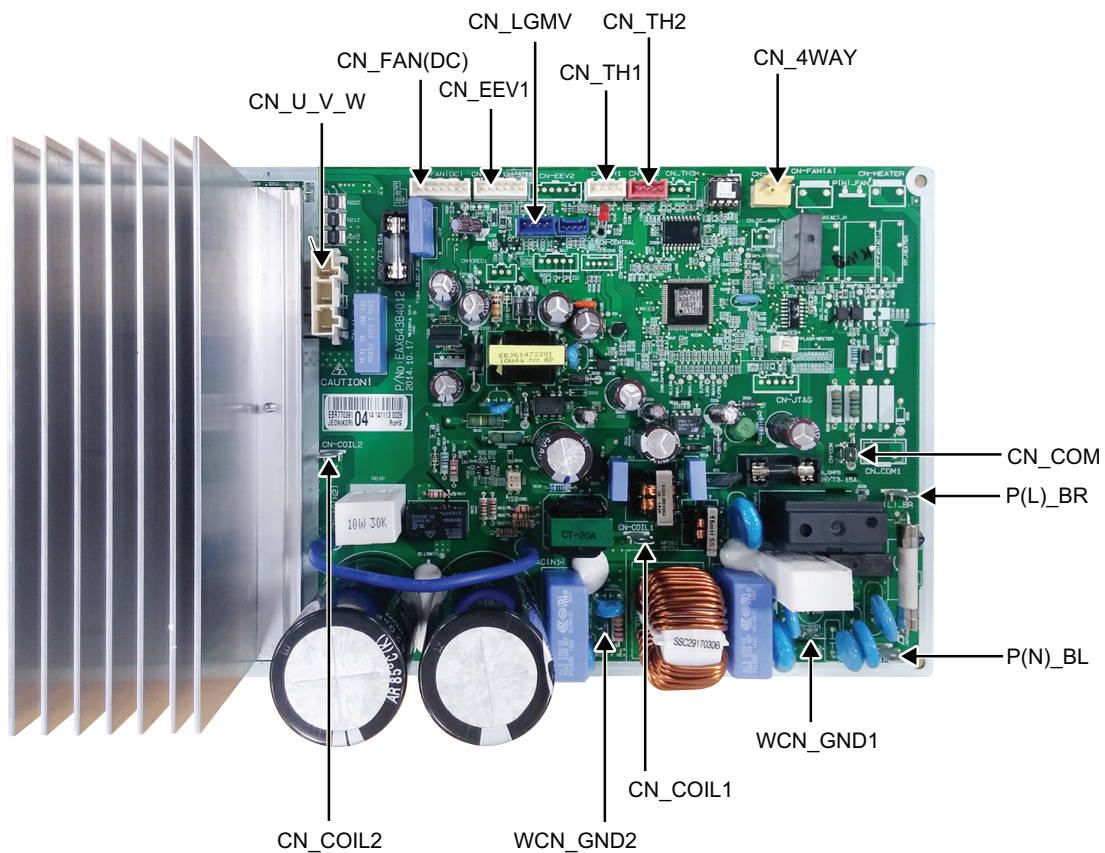
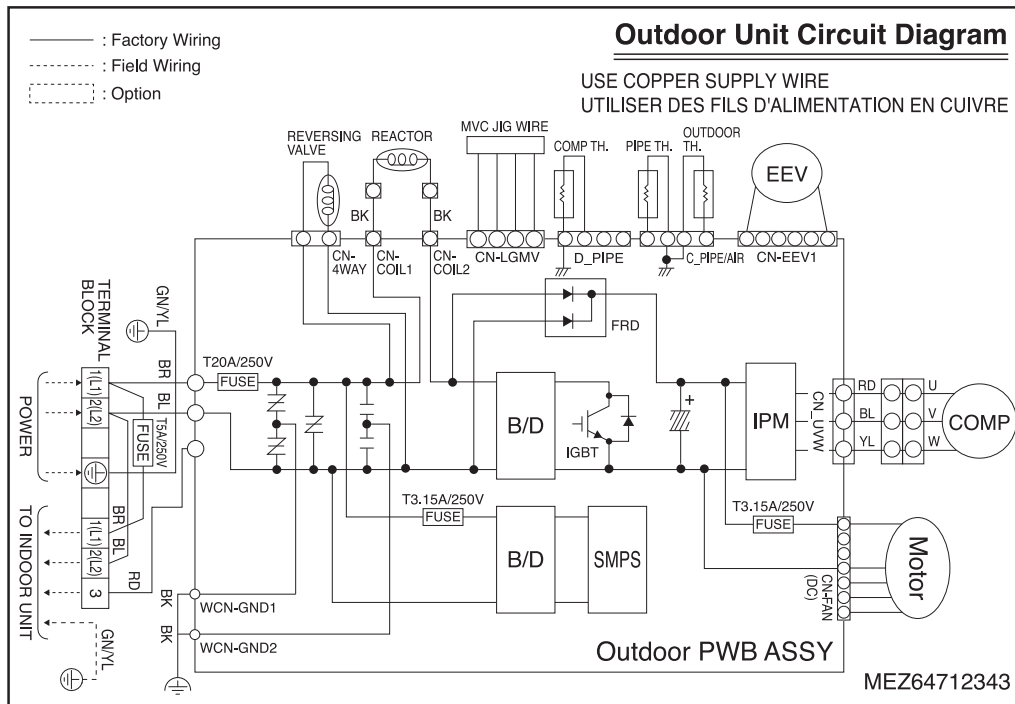
Indoor Unit (ASNW183CSA5/ASNW243CSA5)



Outdoor Unit (ASUW183CSA5)



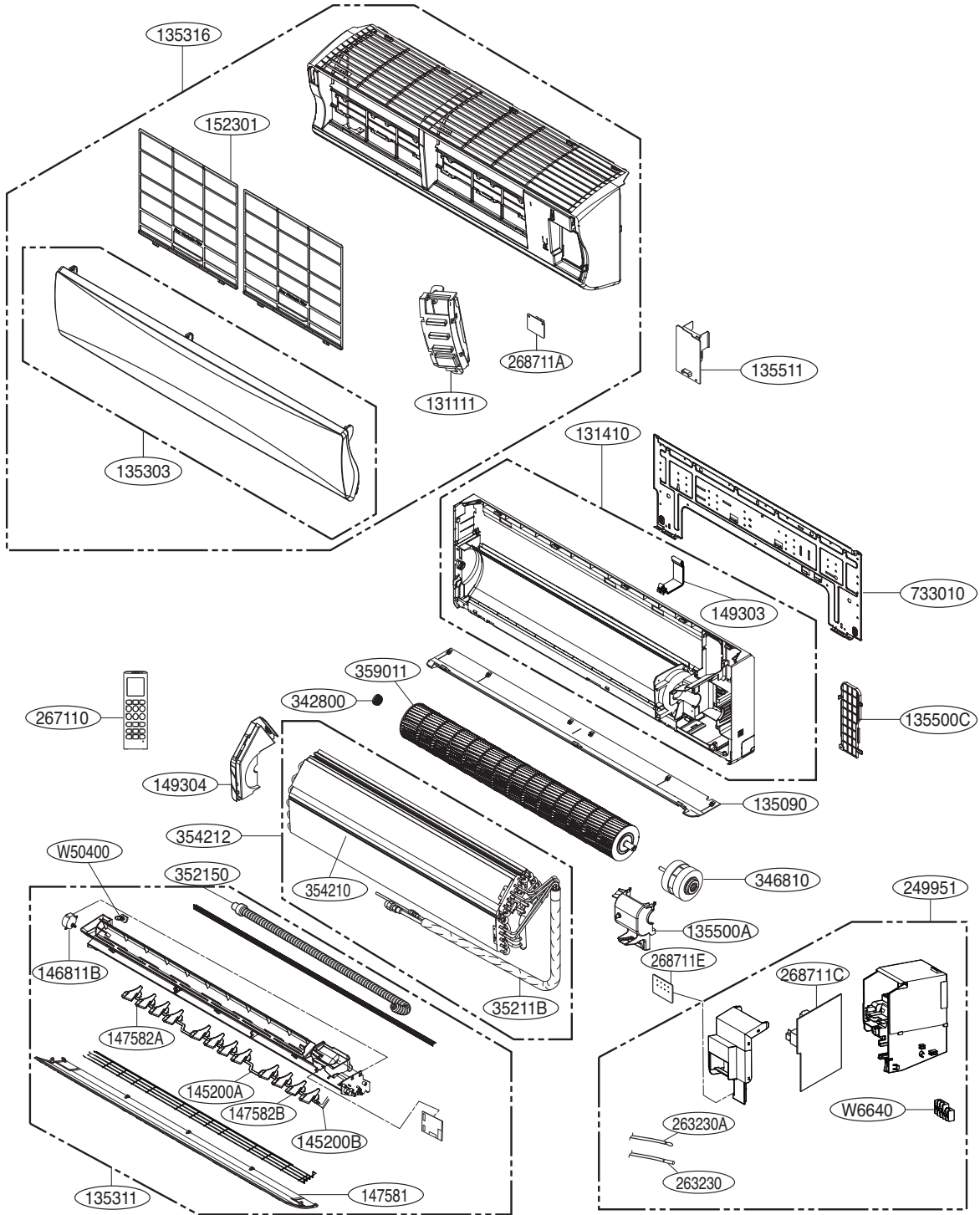
Outdoor Unit (ASUW243CSA5)



Exploded View

Indoor Unit

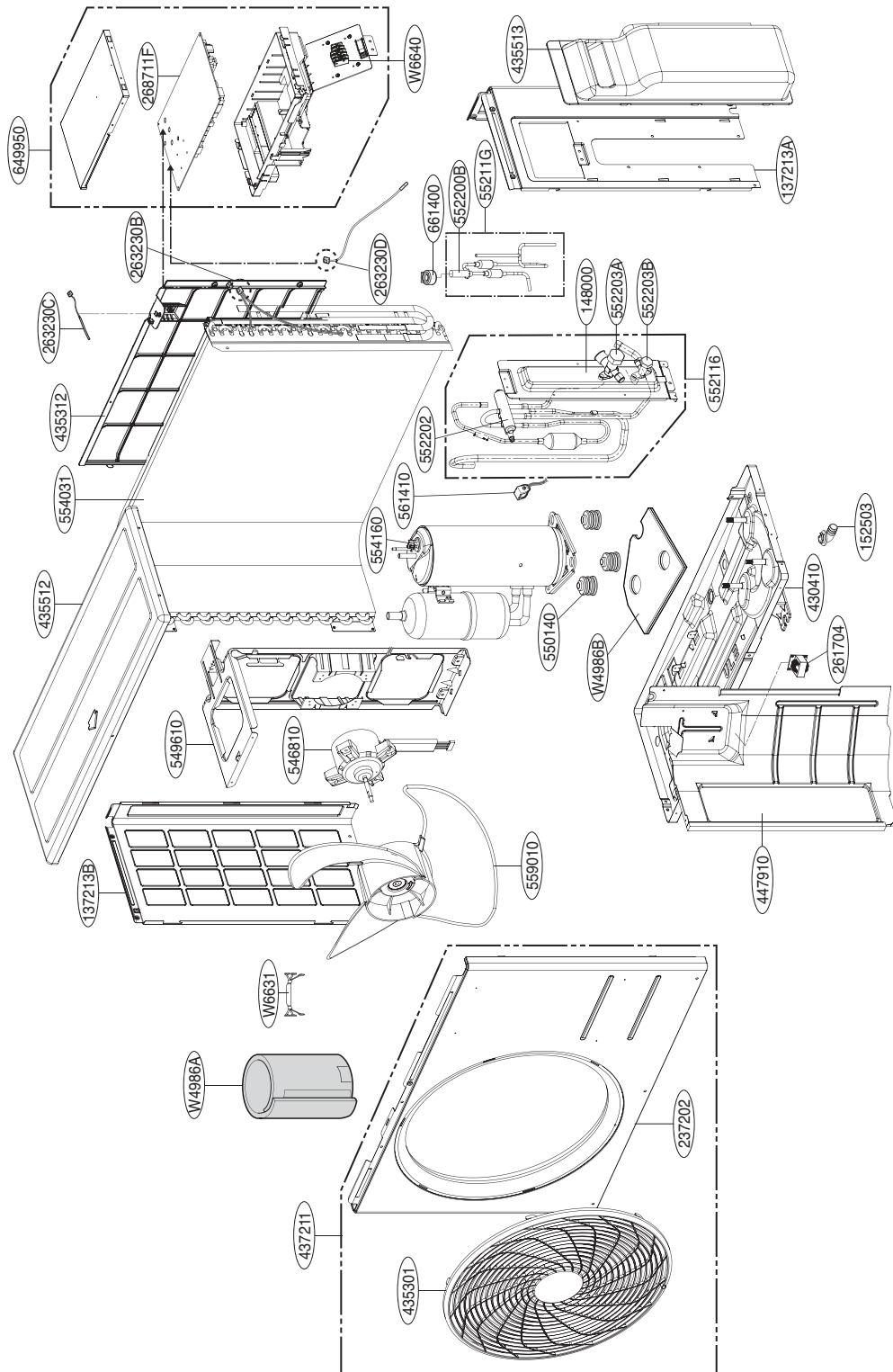
• Model: ASNW183CSA5/ASNW243CSA5



LOC.	Description	PCB Connector
263230	Thermistor for indoor air temperature	CN-TH1 (Indoor)
263230A	Thermistor for evaporator middle temperature	CN-TH3 (Indoor)

Outdoor Unit

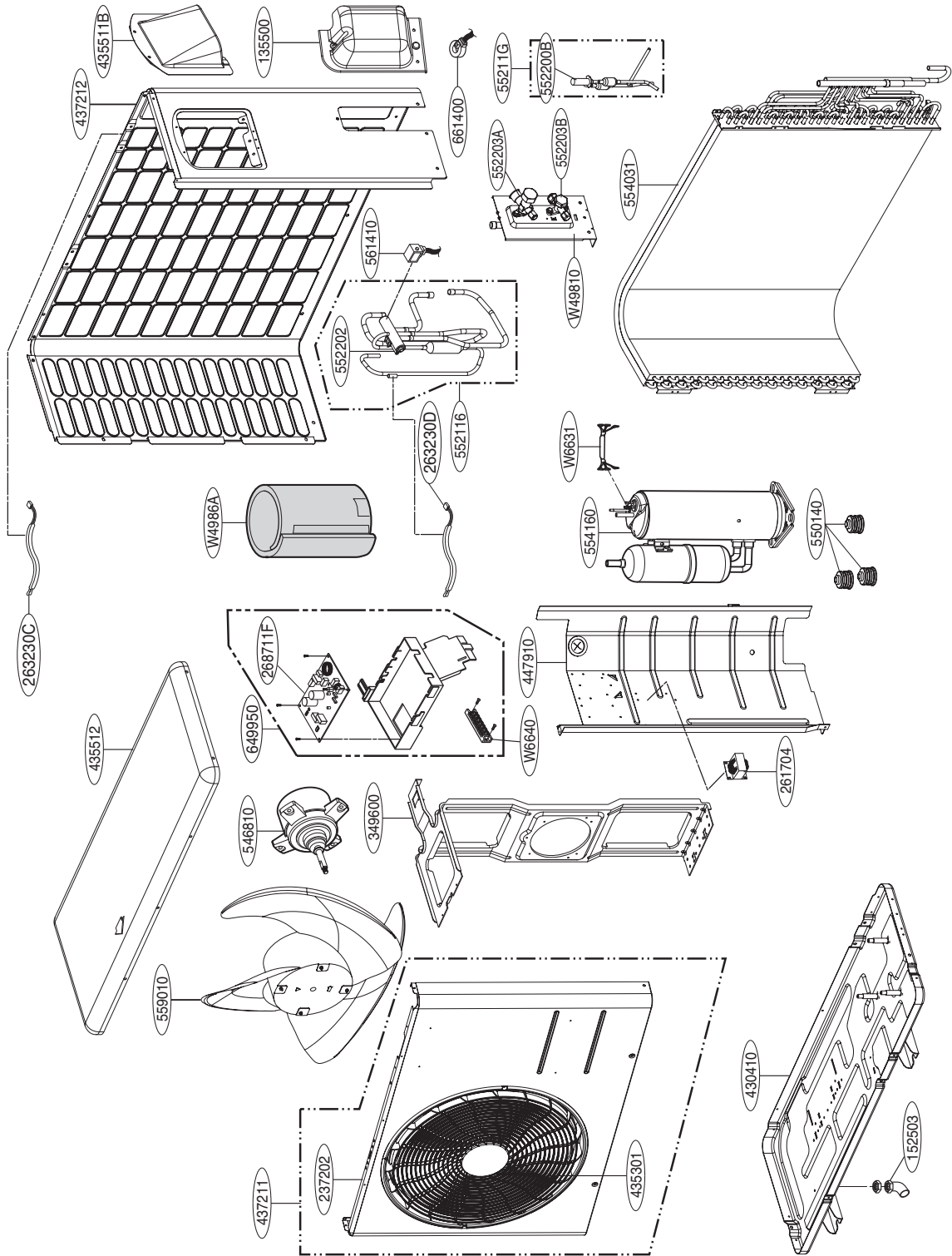
• Model : ASUW183CSA5



LOC.	Description	PCB Connector
263230D	Thermistor for discharge pipe temperature	CN-TH2 (Outdoor)
263230C	Thermistor for outdoor air temperature	CN-TH1 (Outdoor)
263230B	Thermistor for condensing temperature	

Outdoor Unit

• Model : ASUW243CSA5



LOC.	Description	PCB Connector
263230C	Thermistor for condensing temperature	CN-TH1 (Outdoor)
	Thermistor for outdoor air temperature	
263230D	Thermistor for discharge pipe temperature	CN-TH2 (Outdoor)



P/NO : MFL67499993

February, 2015