



SUBMITTAL

| | | | |
|----------------|--|-------------------|------|
| Project Name: | | Project Location: | |
| Quote ID: | | Item #: | 1000 |
| Submitted For: | | Submitted On: | |
| Submitted By: | | Submitted From: | |
| Identity #: | | Tag: | |

For Record
 For Approval
 By: _____
 Date: _____

General Product Information

| | | | |
|------------------------|----------|-----------------|------------|
| Product Family: | LEL | Motor type | 2 SPEED EC |
| Defrost Type: | Air | Number of Fans: | 3 |
| Voltage: (Volts/Ph/Hz) | 115/1/60 | Fan HorsePower | 1/20 |
| Refrigerant Type: | R449A | Fins per Inch | 6 |

Technical Information

Performance Data

| Capacity | | | Air Flow | | | | Altitude (ft) | AWEF Value |
|----------|----------|------------------|----------|-------------------|----------------|----------|---------------|------------|
| TD (°F) | SST (°F) | Capacity (BTU/H) | CFM | Fan Diameter (ft) | Air Throw (ft) | | | |
| | | | | | Standard | w/Collar | | |
| 10 | 25.0 | 15,400 | 1,958 | 12 | | | 0 | 9 |

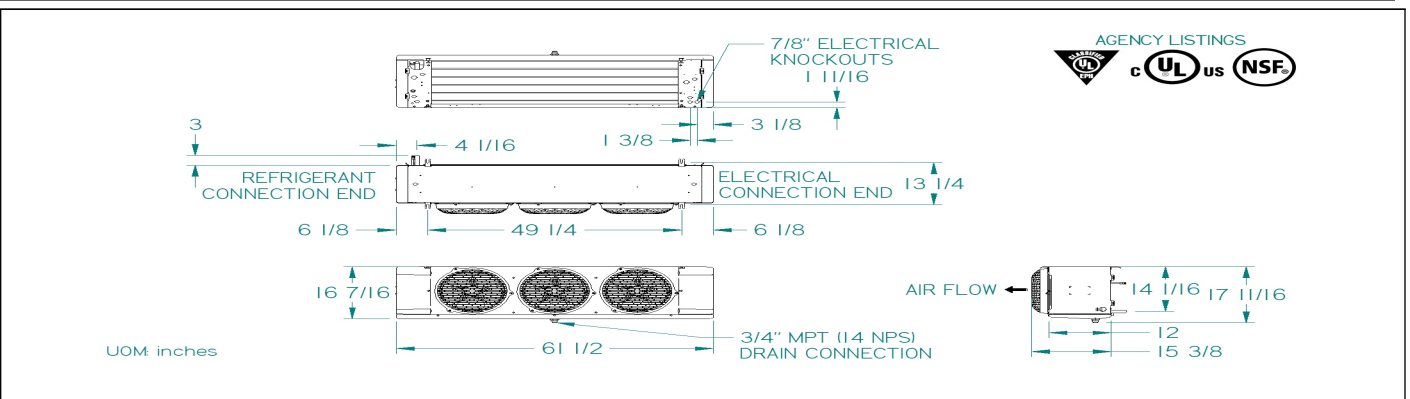
Electrical Data

| Fan Motor(s) | | Defrost Heater(s) | | Drain Pan Heater(s) | |
|--------------|------|-------------------|------|---------------------|------|
| Watts | Amps | Watts | Amps | Watts | Amps |
| 165 | 2.7 | | | | |

Unit Specifications

| Connections (in.) | | | | | | Approx. Net Weight (lbs) |
|-------------------|---------|--------------------|-------|-----------|-------------------|--------------------------|
| Coil Inlet | Suction | External Equalizer | Drain | Side Port | Hot Gas Drain Pan | |
| 1/2 | 7/8 | 1/4 | 3/4 | | | 67 |

Dimensional Drawing(s)





SUBMITTAL

| | | | |
|----------------|--|-------------------|------|
| Project Name: | | Project Location: | |
| Quote ID: | | Item #: | 1000 |
| Submitted For: | | Submitted On: | |
| Submitted By: | | Submitted From: | |
| Identity #: | | Tag: | |

Standard Features

EASE OF INSTALLATION SERVICE

- ALL ELECTRICAL COMPONENTS FACTORY WIRED TO TERMINAL BOARD AND IDENTIFIED, MAKING IT EASY TO FIELD WIRE THE UNIT
- CABINET DESIGN FEATURES HINGED, REMOVABLE FRONT ACCESS PANELS ON EACH SIDE FOR EASY ACCESS TO ELECTRICAL AND REFRIGERATION COMPONENTS
- LIQUID LINE SOLENOID WIRE HARNESS IS FACTORY-INSTALLED FOR QUICK INSTALLATION
- MOTORS PLUG INTO WIRING HARNESS FOR EASIER SERVICING
- HINGED, REMOVABLE DRAIN PAN FOR EASY AND SAFE ACCESS
- PRE-DRILLED HOLES ON THE BACK OF THE UNIT FOR ROOM THERMOSTAT
- QUICK REMOVAL FAN GUARD/MOTOR ASSEMBLY FOR EASY SERVICE OR REPLACEMENT OF AIR MOVER PARTS

RELIABLE DURABLE

- HEAVY GAUGE, WHITE PAINTED CABINET CLEANS EASILY AND LOOKS ATTRACTIVE
- MOLDED FAN GUARD AND ACCESS PANELS ARE MADE OF STRONG, DURABLE, AND NSF AND UL SANITATION RATED PLASTIC MATERIAL
- SWEAT CONNECTIONS TO REDUCE POTENTIAL FOR LEAKS

PERFORMANCE

- INTERNAL PANELS ARE ISOLATED FOR QUIET OPERATION
- INTERNALLY ENHANCED TUBING AND FIN DESIGN FOR HIGHER EFFICIENCY
- EC MOTORS STANDARD ON ALL MODELS FOR IMPROVED UNIT EFFICIENCY

VERSATILE

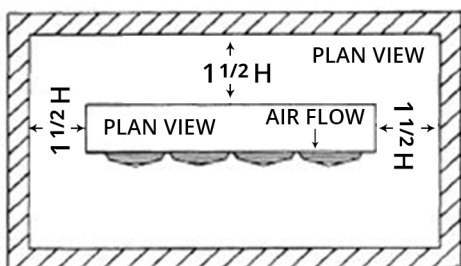
- LARGE DIAMETER DRAIN HOLE (3/4" ID) IS LOCATED TOWARDS THE BACK OF THE UNIT
- MINIMAL HEIGHT OF THE LOW PROFILE SERIES MAKES IT IDEAL FOR LOW CEILING COOLERS

Options

Mounted Options

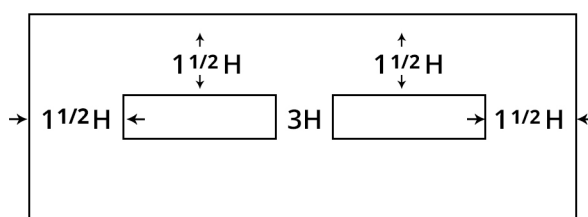
- Brand Label - LARKIN
- Voltage - 115/1/60
- DTFD Option - None
- Fan Guard - Molded
- Drain Pan Type - White
- Defrost Control - None
- Insulated Drain Pan - NO
- Motor - 2 Speed EC
- Defrost Type - Air
- Fan Blade - Standard
- Cabinet Type - White
- Controller Option - None
- Fin Material - Aluminum
- Coil Mechanical Option - Standard

Minimum Unit Clearances



One Evaporator

NOTE:
H = Total Height evaporator coil surface.



Two Evaporators