



## SUBMITTAL

|                |  |                   |      |
|----------------|--|-------------------|------|
| Project Name:  |  | Project Location: |      |
| Quote ID:      |  | Item #:           | 1000 |
| Submitted For: |  | Submitted On:     |      |
| Submitted By:  |  | Submitted From:   |      |
| Identity #:    |  | Tag:              |      |

 For Record

 For Approval

By: \_\_\_\_\_

Date: \_\_\_\_\_

### General Product Information

|                        |              |                 |            |
|------------------------|--------------|-----------------|------------|
| Product Family:        | LEL          | Motor type      | 2 SPEED EC |
| Defrost Type:          | Electric     | Number of Fans: | 4          |
| Voltage: (Volts/Ph/Hz) | 208-230/1/60 | Fan HorsePower  | 1/20       |
| Refrigerant Type:      | R449A        | Fins per Inch   | 6          |

### Technical Information

#### Performance Data

| Capacity |          |                  | Air Flow |                   |                |          | Altitude (ft) | AWEF Value |
|----------|----------|------------------|----------|-------------------|----------------|----------|---------------|------------|
| TD (°F)  | SST (°F) | Capacity (BTU/H) | CFM      | Fan Diameter (ft) | Air Throw (ft) |          |               |            |
|          |          |                  |          |                   | Standard       | w/Collar |               |            |
| 10       | -20.0    | 20,550           | 2,562    | 12                |                |          | 0             | 4.14       |

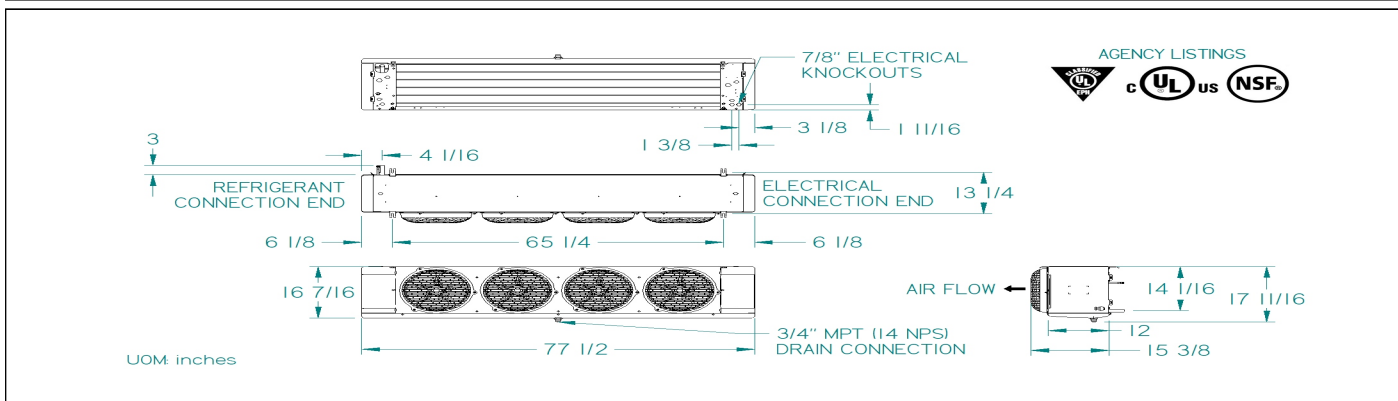
#### Electrical Data

| Fan Motor(s) |      | Defrost Heater(s) |      | Drain Pan Heater(s) |      |
|--------------|------|-------------------|------|---------------------|------|
| Watts        | Amps | Watts             | Amps | Watts               | Amps |
| 220          | 2    | 4,200             | 18.3 |                     |      |

#### Unit Specifications

| Connections (in.) |         |                    |       |           |                   | Approx. Net Weight (lbs) |
|-------------------|---------|--------------------|-------|-----------|-------------------|--------------------------|
| Coil Inlet        | Suction | External Equalizer | Drain | Side Port | Hot Gas Drain Pan |                          |
| 1/2               | 1-1/8   | 1/4                | 3/4   |           |                   | 100                      |

#### Dimensional Drawing(s)





## SUBMITTAL

|                |  |                   |      |
|----------------|--|-------------------|------|
| Project Name:  |  | Project Location: |      |
| Quote ID:      |  | Item #:           | 1000 |
| Submitted For: |  | Submitted On:     |      |
| Submitted By:  |  | Submitted From:   |      |
| Identity #:    |  | Tag:              |      |

### Standard Features

#### EASE OF INSTALLATION SERVICE

- ALL ELECTRICAL COMPONENTS FACTORY WIRED TO TERMINAL BOARD AND IDENTIFIED, MAKING IT EASY TO FIELD WIRE THE UNIT
- CABINET DESIGN FEATURES HINGED, REMOVABLE FRONT ACCESS PANELS ON EACH SIDE FOR EASY ACCESS TO ELECTRICAL AND REFRIGERATION COMPONENTS
- LIQUID LINE SOLENOID WIRE HARNESS IS FACTORY-INSTALLED FOR QUICK INSTALLATION
- MOTORS PLUG INTO WIRING HARNESS FOR EASIER SERVICING
- HINGED, REMOVABLE DRAIN PAN FOR EASY AND SAFE ACCESS
- PRE-DRILLED HOLES ON THE BACK OF THE UNIT FOR ROOM THERMOSTAT
- QUICK REMOVAL FAN GUARD/MOTOR ASSEMBLY FOR EASY SERVICE OR REPLACEMENT OF AIR MOVER PARTS

#### RELIABLE DURABLE

- HEAVY GAUGE, WHITE PAINTED CABINET CLEANS EASILY AND LOOKS ATTRACTIVE
- MOLDED FAN GUARD AND ACCESS PANELS ARE MADE OF STRONG, DURABLE, AND NSF AND UL SANITATION RATED PLASTIC MATERIAL
- SWEAT CONNECTIONS TO REDUCE POTENTIAL FOR LEAKS

#### PERFORMANCE

- INTERNAL PANELS ARE ISOLATED FOR QUIET OPERATION
- INTERNALLY ENHANCED TUBING AND FIN DESIGN FOR HIGHER EFFICIENCY
- EC MOTORS STANDARD ON ALL MODELS FOR IMPROVED UNIT EFFICIENCY

#### VERSATILE

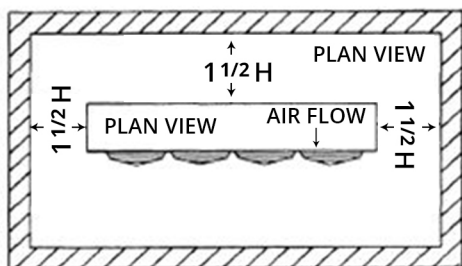
- LARGE DIAMETER DRAIN HOLE (3/4" ID) IS LOCATED TOWARDS THE BACK OF THE UNIT
- MINIMAL HEIGHT OF THE LOW PROFILE SERIES MAKES IT IDEAL FOR LOW CEILING COOLERS

### Options

#### Mounted Options

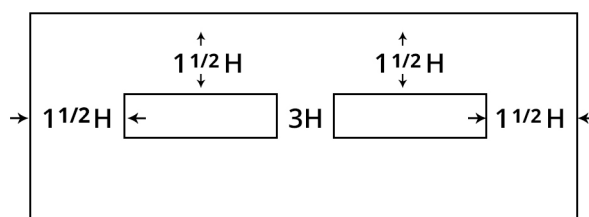
- Brand Label - LARKIN
- Voltage - 208-230/1/60
- Drain Pan Defrost Voltage - 208-230/1/60
- Fan Blade - Standard
- Cabinet Type - White
- Controller Option - None
- Fin Material - Aluminum
- Coil Mechanical Option - Standard
- Motor - 2 Speed EC
- Defrost Type - Electric
- DTFD Option - Fixed
- Fan Guard - Molded
- Drain Pan Type - White
- Defrost Control - Fixed
- Insulated Drain Pan - NO

### Minimum Unit Clearances



One Evaporator

**NOTE:**  
H = Total Height evaporator coil surface.



Two Evaporators