

LCE6160BEG6B - SUBMITTAL



Project Name:		Project Location:	
Quote ID:		Item #:	1000
Submitted For:		Submitted On:	
Submitted By:		Submitted From:	
Identity #:		Tag:	

For Record For Approval By: _____ Date: _____

General Product Information

Product Family:	LCE6	Motor type	EC
Defrost Type:	Electric	Number of Fans:	4
Voltage: (Volts/Ph/Hz)	208-230/1/60	Fan HorsePower	1/15
Refrigerant Type:	R404A	Fins per Inch	6

Technical Information

Performance Data

Capacity			Air Flow				Altitude (ft)	AWEF Value
TD (°F)	SST (°F)	Capacity (BTU/H)	CFM	Fan Diameter (ft)	Air Throw (ft)			
					Standard	w/Collar		
10	-20.0	16,000	2,600	12			0	N/A

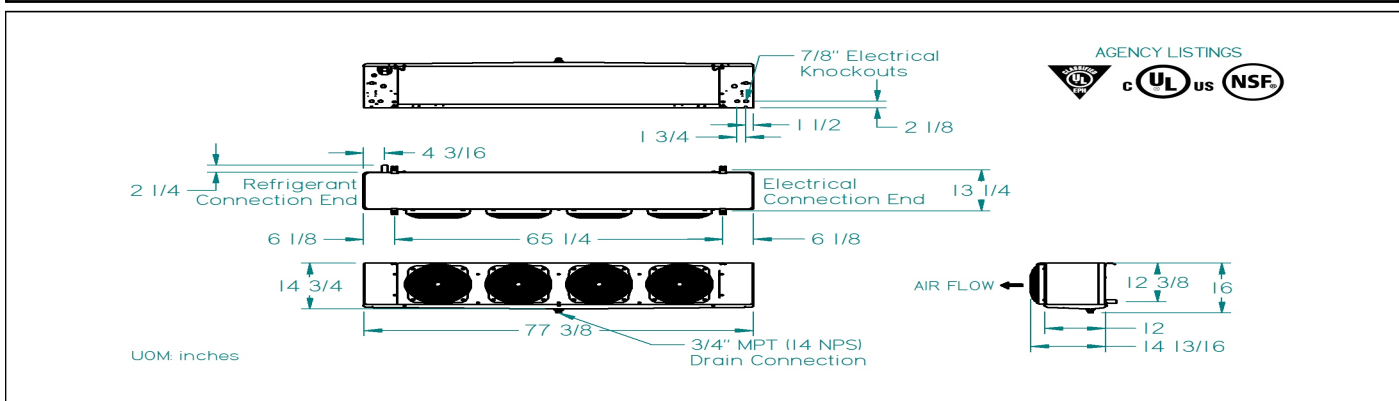
Electrical Data

Fan Motor(s)		Defrost Heater(s)		Drain Pan Heater(s)	
Watts	Amps	Watts	Amps	Watts	Amps
236	2	3,600	15.7		

Unit Specifications

Connections (in.)						Approx. Net Weight (lbs)
Coil Inlet	Suction	External Equalizer	Drain	Side Port	Hot Gas Drain Pan	
1/2	1-1/8	1/4	3/4			81

Dimensional Drawing(s)



LCE6160BEG6B - SUBMITTAL



Project Name:		Project Location:	
Quote ID:		Item #:	1000
Submitted For:		Submitted On:	
Submitted By:		Submitted From:	
Identity #:		Tag:	

Standard Features

EASE OF INSTALLATION & SERVICE

- ALL ELECTRICAL COMPONENTS FACTORY WIRED TO TERMINAL BOARD AND IDENTIFIED, MAKING IT EASY TO FIELD WIRE THE UNIT
- CABINET DESIGN FEATURES FRONT ACCESS PANELS ON EACH SIDE FOR EASY ACCESS TO ELECTRICAL AND REFRIGERATION COMPONENTS
- COIL HEATER SLOTS HAVE BEEN ENLARGED FOR EASIER INSTALLATION AND REPLACEMENT
- LIQUID LINE SOLENOID WIRE HARNESS IS FACTORY-INSTALLED FOR QUICK INSTALLATION
- MOTORS PLUG INTO WIRING HARNESS FOR EASIER SERVICING
- ON 4-6 FAN MODELS, DRAIN PAN HAS A LANYARD FOR EASY AND SAFE ACCESS
- PRE-DRILLED HOLES ON THE BACK OF THE UNIT FOR ROOM THERMOSTAT

PERFORMANCE

- EXTENDED DRAIN PAN HEATERS FOR MORE UNIFORM DEFROST THROUGHOUT THE DRAIN PAN AND ADDITIONAL HEAT IN END COMPARTMENTS
- FIXED DEFROST TERMINATION FOR ELECTRIC
- INTERNAL PANELS ARE ISOLATED FOR QUIET OPERATION
- INTERNALLY ENHANCED TUBING AND FIN DESIGN FOR HIGHER EFFICIENCY
- REDUCED HEATER WATTAGES

IRC (INTELLIGEN REFRIGERATION CONTROLLER) COMPONENTS

- 24-VOLT TRANSFORMER, 24-VOLT COMPRESSOR CONTACTOR, LOW PRESSURE TIME DELAY SWITCH, AND SUCTION PRESSURE TRANSDUCER
- IRC (INTELLIGEN REFRIGERATION CONTROLLER) BOARD WITH OLED DISPLAY AND USER INTERFACE
- ELECTRONIC EXPANSION VALVE THAT CLOSSES AUTOMATICALLY ON LOSS OF POWER
- THREE TEMPERATURE SENSORS (DEFROST TEMP, SUCTION TEMP, ROOM TEMP)

PERFORMANCE

- EXTENDED DRAIN PAN HEATERS FOR MORE UNIFORM DEFROST THROUGHOUT THE DRAIN PAN AND ADDITIONAL HEAT IN END COMPARTMENTS
- FIXED DEFROST TERMINATION FOR ELECTRIC
- INTERNAL PANELS ARE ISOLATED FOR QUIET OPERATION
- INTERNALLY ENHANCED TUBING AND FIN DESIGN FOR HIGHER EFFICIENCY
- REDUCED HEATER WATTAGES

RELIABLE & DURABLE

- ATTRACTIVE WHITE CABINET
- MOLDED FAN GUARD DESIGN MADE OF STRONG PLASTIC MATERIAL
- SWEAT CONNECTIONS TO REDUCE POTENTIAL FOR LEAKS

VERSATILE

- LARGE DIAMETER DRAIN HOLE (3/4" ID) IS LOCATED ON THE BACK OF THE UNIT
- MINIMAL HEIGHT OF THE LOW PROFILE SERIES MAKES IT IDEAL FOR LOW CEILING COOLERS

ELIMINATED COMPONENTS

- DEFROST AND FAN CONTACTORS
- DEFROST TERMINATION/FAN DELAY SWITCH
- DEFROST TIME CLOCK
- LIQUID-LINE SOLENOID VALVE
- ROOM THERMOSTAT
- THERMAL EXPANSION VALVE

RELIABLE & DURABLE

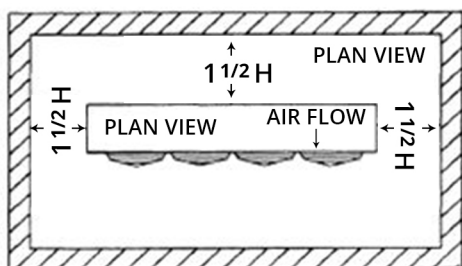
- ATTRACTIVE WHITE CABINET
- MOLDED FAN GUARD DESIGN MADE OF STRONG PLASTIC MATERIAL
- SWEAT CONNECTIONS TO REDUCE POTENTIAL FOR LEAKS

Options

Mounted Options

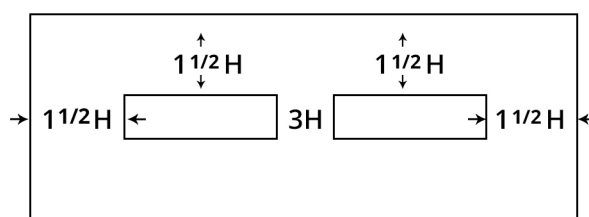
- Brand Label - LARKIN
- Coil Coating - Aluminum
- Fan Guard Selection - Blue Plastic Guard
- Packaging Options - Carton
- Drain Pan Options - Single Wall Aluminum White
- IntelliGen Refrig Ctrl Options - IRC WITH USER INTERFACE
- Coil Mechanical Option - EEV
- Fan Blade Selection - Standard Fan Blade
- Cabinet - White

Minimum Unit Clearances



One Evaporator

NOTE:
H = Total Height evaporator coil surface.



Two Evaporators