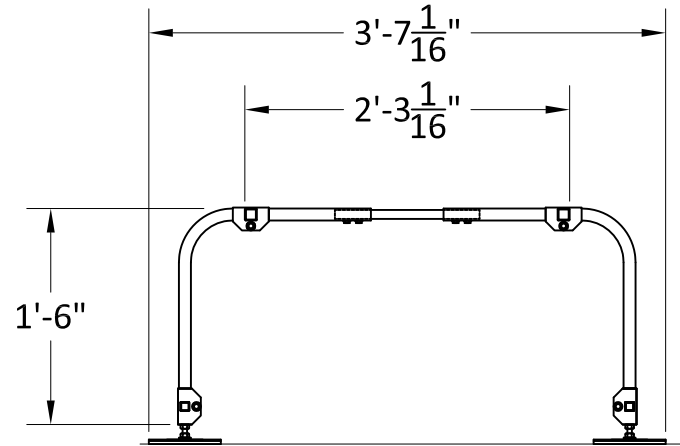
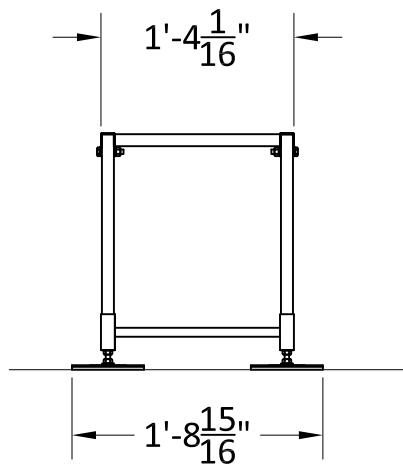


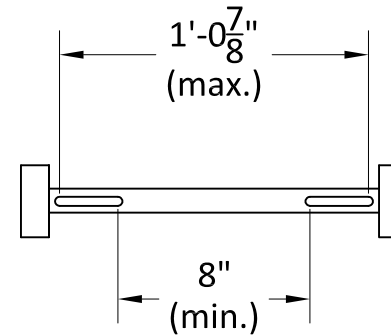
Side View - Retracted



Side View - Expanded



End View - Fixed



Spacer Bar Detail  
(Showing Range of Bolt Spacing)



ASSEMBLY DRAWING  
"MINI-SPLIT 18"  
ADJUSTABLE STAND - THIN  
MODEL NO. QSMS1800

www.quick-sling.com  
email: info@quick-sling.com  
fax: 1-(800)-699-0423

Quick Sling, LLC  
391 W. Water Street  
Taunton, MA 02780  
1-(800)-699-0543