



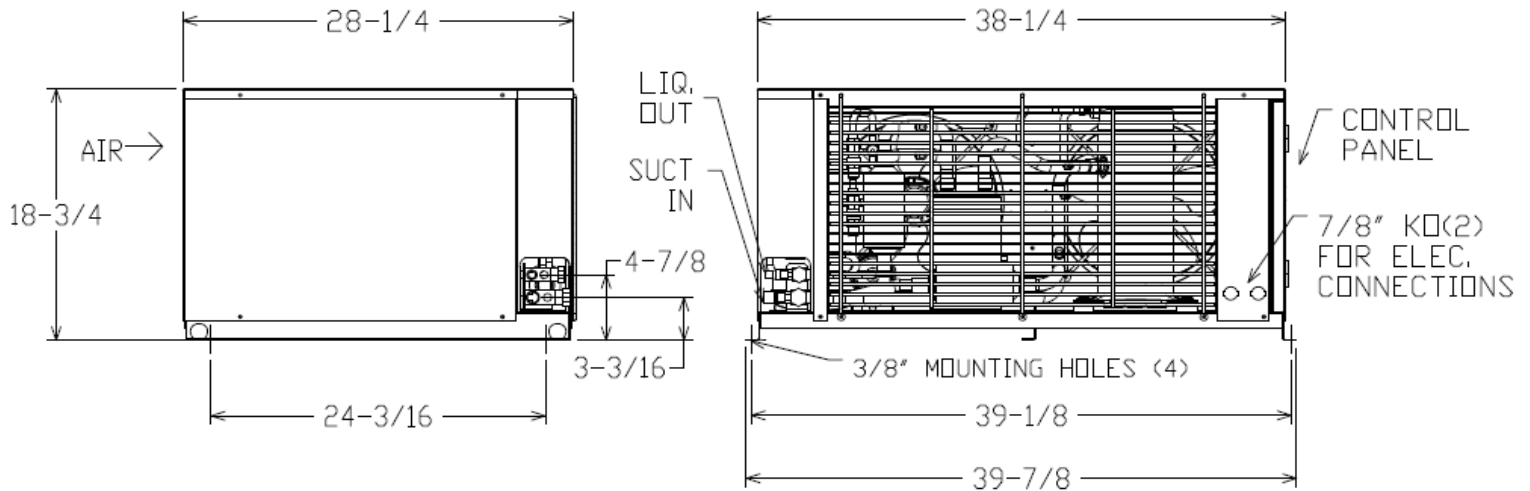
HEAT TRANSFER PRODUCTS GROUP, LLC

3885 Crestwood Parkway / Suite 500
 Duluth, GA 30096
 (P) 800-288-9488 / (F) 256-259-7478
<http://russell.htpgusa.com>

SUBMITTAL DATA SHEET
R Series - Model RBH / RFH
Air Cooled Condensing Unit

<input type="checkbox"/>	For Record Only
<input type="checkbox"/>	For Approval

Job Name:		Job Location:	
Customer Name:		Order Number:	
Architect / Engineer:		Prepared By:	
Unit Model Number:		Tagging Info:	
Unit Quantity:		Date:	Thursday, April 15, 2021



Outdoor Ambient Temperature	CAPACITY DATA (BTUH) / R404A / R507						
	Saturated Suction Temperature (SST)						
	0 F	-5 F	-10 F	-15 F	-20 F	-25 F	-30 F
+90 Deg F	15,650	13,810	11,990	10,250	8,580	7,000	5,530
+95 Deg F	14,690	12,910	11,180	9,510	7,920	6,420	5,030
+100 Deg F	13,740	12,030	10,380	8,790	7,280	5,860	4,540
+105 Deg F	12,810	11,150	9,580	8,080	6,650	5,300	4,070
+110 Deg F	11,850	10,300	8,810	7,370	6,020	4,760	3,610

PHYSICAL DATA											
Compressor Type	Compressor Model #	Unit HP	Fan Qty	Std Rcvr Cap (90%)	OS Rcvr Cap (90%)	Summer Charge	Winter Charge +	Refrig Conn (ODS)		Sound dBA *	Net Weight
								Liquid	Suction		
Hermetic	CF09K6E	2	2	11 Lb's	13.6 Lb's	3.1 Lb's	4.9 Lb's	3/8"	7/8"	75	219 Lb's

ELECTRICAL DATA											
Voltage Characteristics			Compressor		Cond Fan	Max Evap	Max Def	Air Defrost **		Electric Defrost **	
Volts	Phase	Hertz	RLA	LRA	FLA	Fan Amps	Htr Amps	MCA	MOPD	MCA	MOPD
208/230	1	60	15	87	1	6	25	N/A	N/A	32.2	40

Notes:	+ Applies to flooded head pressure control units only (model RFH) with standard receiver option
	* Estimated operating sound pressure value (dBA) measured 10' from the unit air discharge
	** The MCA and MOPD values include an allowance of (1) amp for the control circuit

Additional Comments:	

