



PROJECT NAME _____

LOCATION _____

ARCHITECT _____

ENGINEER _____

CONTRACTOR _____

SUBMITTED BY _____ DATE _____

UNIT SUMMARY

Quantity						
Unit Designation						
Model No.						
Total Cooling						
Sensible Cooling						
Air Ent. Evaporator						
Air Lvg. Evaporator						
Heating Input						
Heating Output						
CFM/ESP						
EER/SEER						
Electrical						
Minimum Ampacity						
Min.-Max. Breaker						
Net Unit Weight						
Accessory						
Catalog Form Number						

ACCESSORIES:

NOTES:

RA14AZ iM Air Conditioner

Cooling Efficiency: 15.2 SEER2/12 EER2

Nominal Sizes: 1.5 to 5 Ton [5.0 to 16.3 kW]

JOB NAME _____ LOCATION _____

CONTRACTOR _____ ORDER NO. _____

ENGINEER _____ UNIT MODEL NO. _____

SUBMITTED FOR APPROVAL RECORD COIL MODEL NO. _____

DATE _____ AIR HANDLER MODEL NO. _____

UNIT DATA

COOLING PERFORMANCE

EFFICIENCY SEER

TOTAL CAPACITY* MBH [kW]

SENSIBLE CAPACITY* MBH [kW]

OUTDOOR DESIGN TEMP..... °F [°C] DB

TEMP. OF AIR ENTERING
EVAPORATOR COIL °F [°C] DB

..... °F [°C] WB

POWER INPUT REQUIREMENT kW
(*uses blower motor heat)

HEATING PERFORMANCE

EFFICIENCY HSPF

TOTAL CAPACITY* MBH [kW]

OUTDOOR DESIGN TEMP..... °F [°C] DB

TEMP. OF AIR ENTERING
EVAPORATOR COIL °F [°C] DB

SUPPLY AIR BLOWER PERFORMANCE

TOTAL AIR SUPPLY CFM [L/s]

TOTAL RESISTANCE EXTERNAL
TO UNIT IWG

BLOWER SPEED RPM

POWER OUTPUT REQUIREMENT BHP

MOTOR RATING HP [W]

POWER INPUT REQUIREMENT kW

ELECTRICAL DATA

POWER SUPPLY Hz

TOTAL UNIT AMPACITY AMPS

MINIMUM WIRE SIZE AWG

MAXIMUM OVERCURRENT DEVICE
FUSES/HACR BREAKER AMPS

CLEARANCES

ACCESS SIDE 24" [609.6 mm]

AIR INLETS 12" [304.8 mm]

ABOVE UNIT 60" [1524 mm]

FEATURES

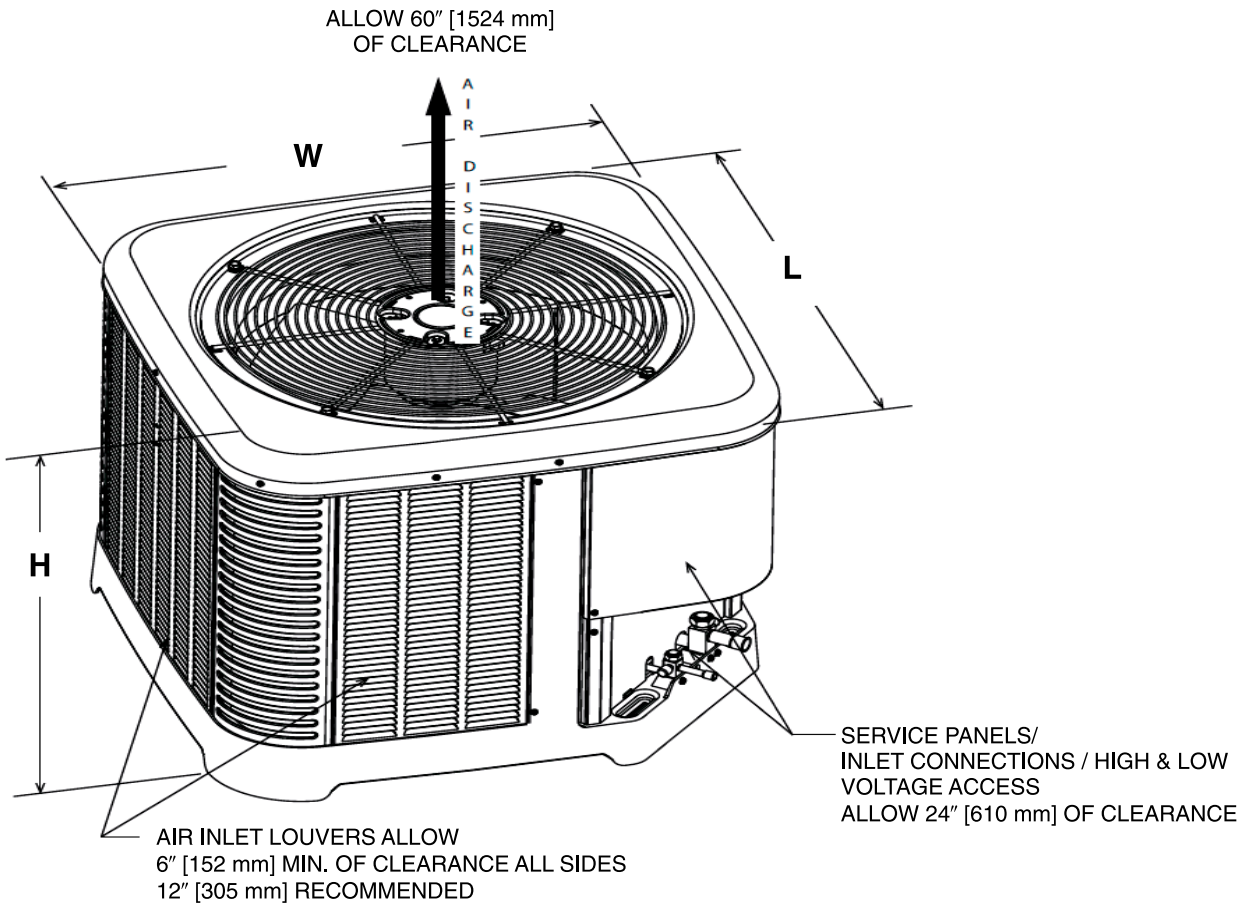
- **Lighter Footprint & Less Environmental Impact from New 7mm Condenser Coil** provided by a decrease in refrigerant requirements and an overall weight reduction
- **PlusOne® Expanded Value Space:** 3 in. – 4 in. – 5 in. service valve space – provides a minimum working area of 27-square inches for easier access
- **PlusOne® Triple Service Access:** 15 in. wide, industry leading corner service access – makes repairs easier and faster. The two fastener, removable corner allows optimal access to internal unit components. Individual louver panels come out once fastener is removed, for faster coil cleaning and easier cabinet reassembly
- **System Matching Simplicity** – matches to all tiers of gas furnaces
- **Modern cabinet aesthetics** – High curb appeal with visually appealing design
- **Curved louver panels** – provide ultimate coil protection, enhance cabinet strength, and increased cabinet rigidity
- **Diagnostic service window** with two-fastener opening – provides access to the high and low pressure
- **External gauge port access** – allows easy connection of “low-loss” gauge ports
- **QR code** – provides technical information on demand for faster service calls
- **Fan motor harness** with extra-long wires allows unit top to be removed without disconnecting fan wire

ACCESSORIES/OPTIONS

- Compressor Crankcase Heater
- Low Ambient Control (Model No. RXAD-A08).....
- Compressor Sound Cover.....
- Compressor Hard Start Kit
- Classic Top Cap w/label (91-101123-21)
- Compressor Time Delay.....
- Low Pressure Control
- High Pressure Control.....



RA14AZ



ST-A1226-02-00

Unit Dimensions

MODEL NO.	OPERATING						SHIPPING					
	H (Height)		L (Length)		W (Width)		H (Height)		L (Length)		W (Width)	
	INCHES	mm	INCHES	mm	INCHES	mm	INCHES	mm	INCHES	mm	INCHES	mm
RA14AZ18	25.00	635	29.75	756	29.75	756	26.50	673	32.38	822	32.38	822
RA14AZ24	25.00	635	33.75	857	33.75	857	26.50	673	36.38	924	36.38	924
RA14AZ30	27.00	686	33.75	857	33.75	857	28.50	724	36.38	924	36.38	924
RA14AZ36	31.00	787	33.75	857	33.75	857	32.50	826	36.38	924	36.38	924
RA14AZ42	35.00	889	33.75	857	33.75	857	36.50	927	36.38	924	36.38	924
RA14AZ48	35.00	889	33.75	857	33.75	857	36.50	927	36.38	924	36.38	924
RA14AZ60	51.00	1295	35.75	908	35.75	908	52.50	1334	38.38	975	38.38	975

[] Designates Metric Conversions

Before proceeding with installation, refer to installation instructions packaged with each model, as well as complying with all Federal, State, Provincial, and Local codes, regulations, and practices.

Rheem Sales Company, Inc.
5600 Old Greenwood Road
Fort Smith, Arkansas 72908

"In keeping with its policy of continuous progress and product improvement, Rheem reserves the right to make changes without notice."