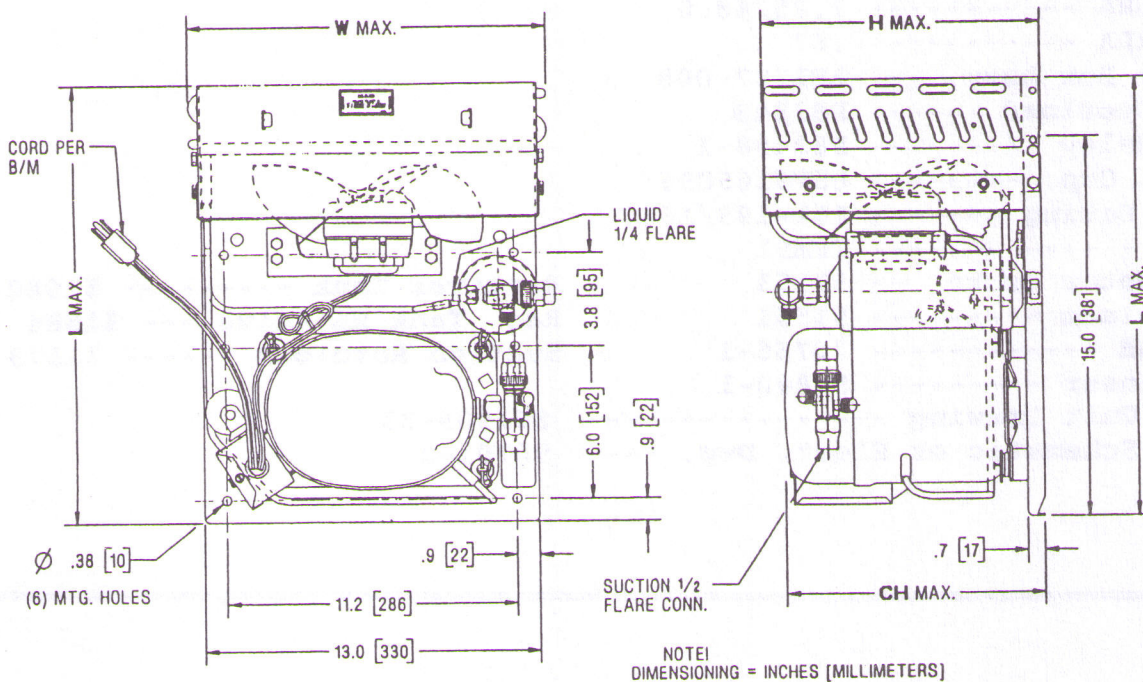




TECUMSEH HERMETIC CONDENSING UNITS

Date: April 1, 1997

MODEL AKA9433EXAXB (Formerly AK9433EB) R-22 1/3 HP AIR COOLED



Model	Dimensions				*Line Connection		Pumpdown 90° F 90% Full	Air CFM	Oil Chg oz.	Gr. Wt. Lbs.
	L	W	H	CH	Suct.	Liq.				
AKA9433EXAXB	17.4	14.0	10.9	10.2	1/2 F	1/4 F	3.4#	350	15	60

*F=Flare, S=Solder, RF or RS= Rotolock Valve with Flare or Solder Connections
Factory charge: 20 psig nitrogen - **MUST BE EVACUATED**

Approved Evap. Range		Ambient								
		90° F			100° F			110° F		
°F	PSIG	BTUH	Watts	Head	BTUH	Watts	Head	BTUH	Watts	Head
-10	16.5	1220	435	190	940	420	215	630	400	245
-5	20.0	1560	465	195	1250	450	225	930	435	250
0	24.0	1890	495	205	1560	485	230	1240	470	260
5	28.2	2220	530	210	1880	520	240	1560	510	270
10	32.8	2580	570	220	2200	560	250	1880	555	280
15	37.7	2940	505	230	2530	505	260	2210	600	290
20	43.0	3320	550	240	2880	550	270	2560	550	300
25	48.8	3710	590	250	3250	595	280	2900	600	315
30	54.8	4030	630	265	3640	640	295	3280	650	330
35	61.5	4600	675	275	4070	690	305	3690	700	345
40	68.5	5100	720	290	4530	735	320	4120	755	355
45	76.0	5710	765	300	5090	785	335	4620	810	370

Return gas temp. 20°F max superheat above 20°F evap.
40°F max below 20°F evap., 5°F subcooling

SPECIFICATIONS	AKA9433EXAXB
Nominal Voltage -----	115-60-1
Unit B/M -----	2C247-9
Voltage Range -----	126.5 to 103.5
Min. Circuit Ampacity --	9.6
Max. Fuse Size (Amps) --	15
Compressor Model -----	AKA9428EXA
Bill of Material --	AK164AT-038
RLA/LRA -----	7.25/48.0
Fan RLA -----	.67
Relay Box Assy. ---	AE1227-008
ESP Overload -----	P83548
ESP Relay -----	P82498-1
Start Cap. -----	85PS165C96
Rating -----	161-193/165V
Fan Motor -----	TFM91
Fan Motor Brckt. --	57153
Fan Blade -----	51551
Shroud -----	70766-1
Condenser -----	50840-1
Unit Drawing -----	SU1909-33
Schematic or Elect. Dwg. ----	90701-2

Receiver Tank -----	51080-1
Rec. Tank RL Valve ---	31584 (1/4" F)
Suction Rotolock -----	31579 (1/2" F)

