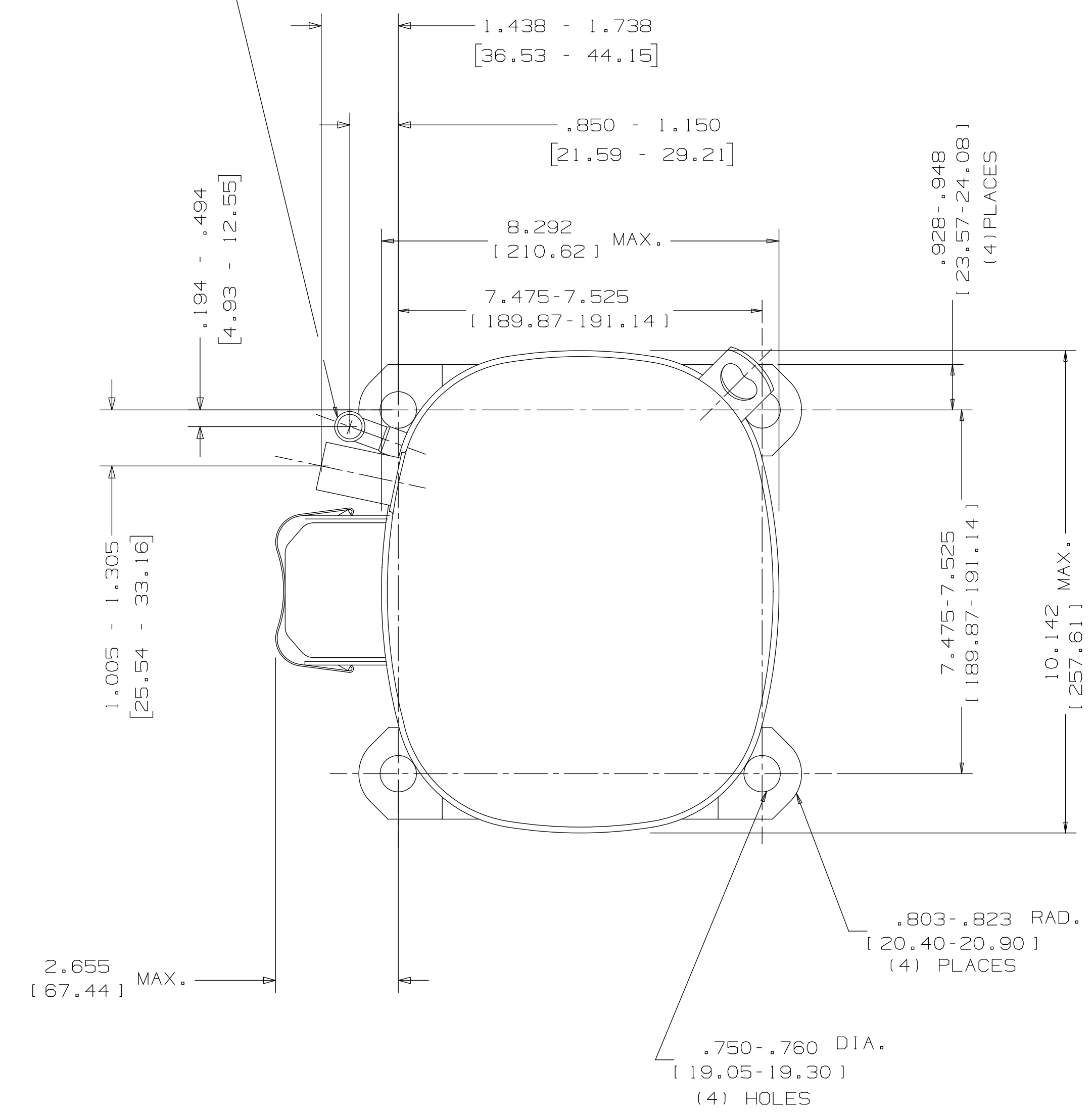
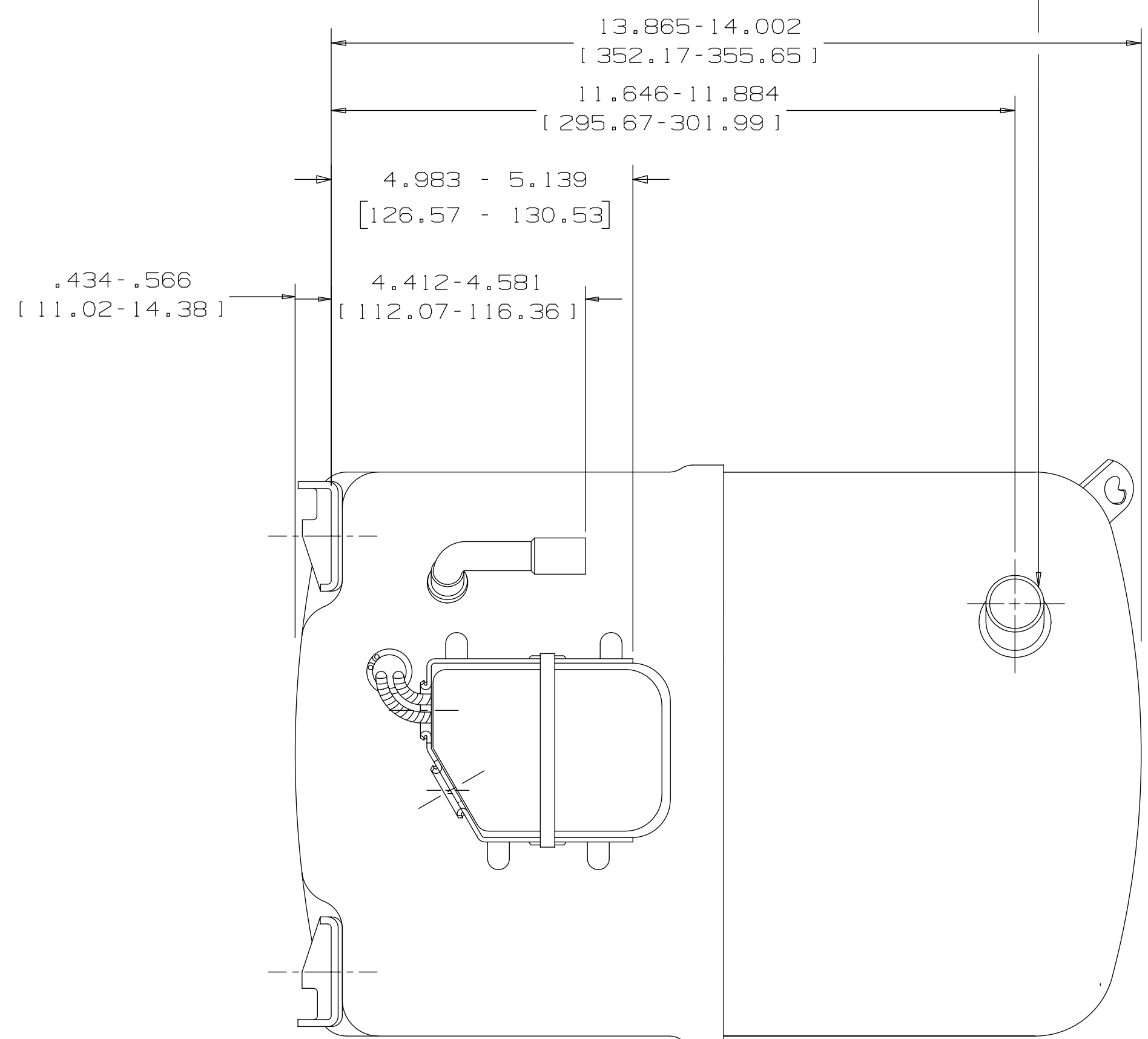


SUCTION - COPPER
I.D. - .878-.883 [22.30-22.43]
× ENTIRE LENGTH
PLUG, -21

DISCHARGE - COPPER
END I.D. - .503-.508 [12.78-12.90]
× .855 MIN. [21.72 MIN.]
PLUG, -11



DIMENSIONS IN BRACKETS ARE MILLIMETERS

3Ø AV

CK. #239337-000 C.M.S. INFO REMOVED 2/4/00 CK. #239834-000 JJC WAS 26223-1 1/4NDV89		CK. #235604-017 JJC WAS HAG77-5 02MR89 CK. AMP 235604-006 W.F.M. WAS HAG19-6 9-19-97		LT LC CHANGE DATE THIS DRAWING OR PRINT IS THE PROPERTY OF TECUMSEH PRODUCTS COMPANY, TECUMSEH, MICHIGAN. ALL INFORMATION BELONGING TO TECUMSEH, INCLUDING BUT NOT LIMITED TO, PATENT RIGHTS, TRADE SECRETS, AND OTHER INFORMATION, IS HEREBY TRANSFERRED TO THE RECIPIENT. THE RECIPIENT SHALL NOT DISCLOSE OR USE THIS INFORMATION FOR ANY PURPOSE OTHER THAN THAT SPECIFICALLY APPROVED IN WRITING BY TECUMSEH. ANY UNAUTHORIZED REPRODUCTION OR USE OF THIS INFORMATION SHALL BE AT THE RECIPIENT'S SOLE RISK AND WITHOUT LIABILITY TO TECUMSEH. THIS DRAWING IS THE PROPERTY OF TECUMSEH PRODUCTS COMPANY AND IS NOT TO BE REPRODUCED OR TRANSMITTED IN ANY FORM OR BY ANY MEANS, ELECTRONIC OR MECHANICAL, INCLUDING PHOTOCOPYING, RECORDING, OR BY ANY INFORMATION STORAGE AND RETRIEVAL SYSTEM, WITHOUT THE WRITTEN CONSENT AND IN WRITING OF TECUMSEH PRODUCTS COMPANY.		DIS. CODE DWN. BRODERICK 4/9/92 CK. W.F.M. 8-26-97 APR. R.J.B.	NAME SALES COMPRESSOR	SCALE 1" = 2"	THIS PRINT SUPERSEDES ALL PRINTS PRIOR TO
MATERIAL NOTED		DRAWING NO. DCAV045		INTERNAL USE ONLY qt:\av\av-dcav045.p-c.prt		Q.A. SYMBOLS			